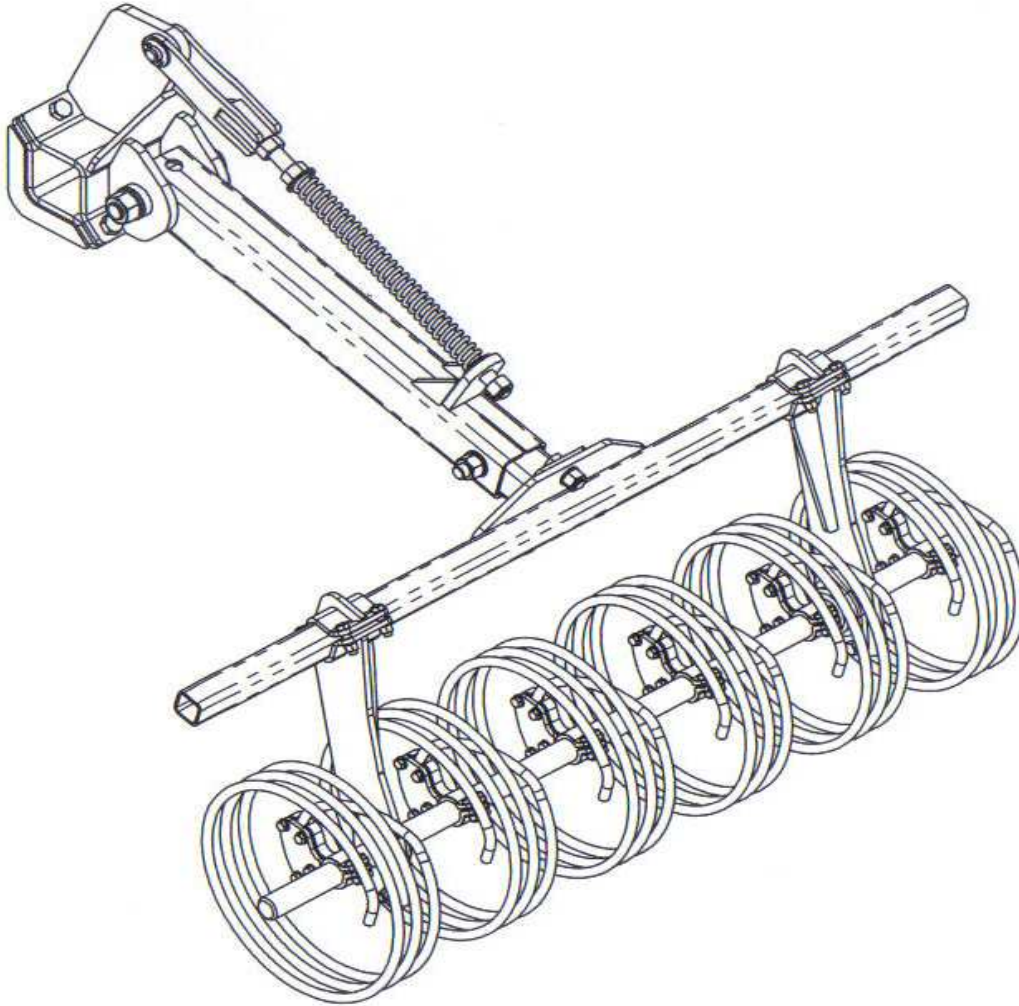




# RFM Roller



## Parts Manual

Part Number JD60060

### Branches

Cape Town  
Tel: (021) 907 1700  
Fax: (021) 907 1760

Johannesburg  
Tel: (011) 396 6200  
Fax: (011) 396 6220

Pietermaritzburg  
Tel: (033) 346 2727  
Fax: (033) 346 2746

[www.rovicleers.co.za](http://www.rovicleers.co.za)

Effective Date: July 06

# RFM ROLLER

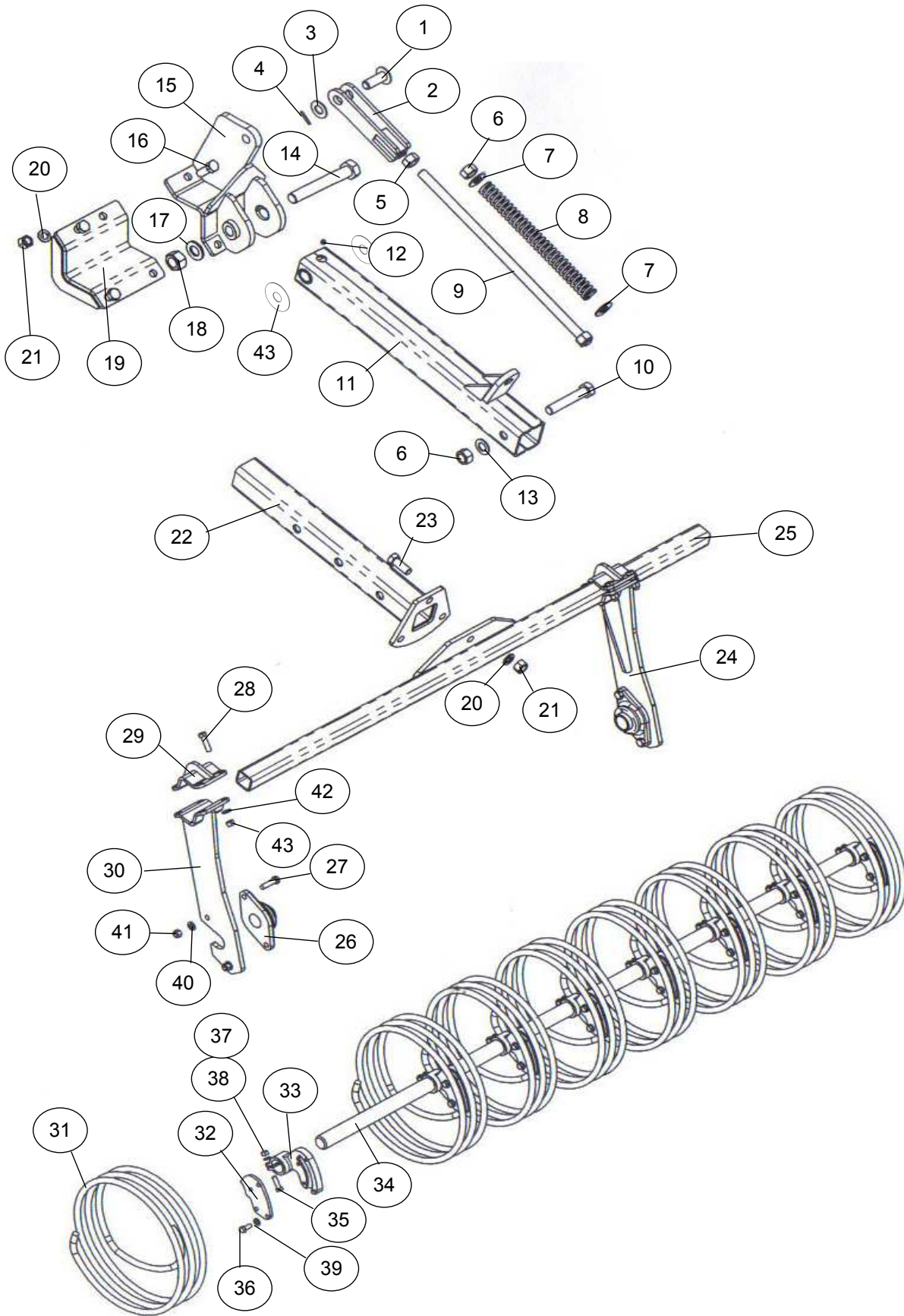
## INDEX

PAGES	DESCRIPTION
1 - 2	RFM Roller complete

### WHEN ORDERING SPARE PARTS, PLEASE STATE:

- 1 Model, Serial Number & Size
- 2 Part number & description (of the spare part)
- 3 Number of parts required
- 4 Forwarding instructions
- 5 Correct name & Address of destination
- 6 Order number of approved Rovic & Leers dealer
- 7 Contact detail of recipient. (Consignee)

# RFM ROLLER



# RFM ROLLER

ITEM NO.	PART NUMBER	DESCRIPTION	QTY
1	RFM0031	Swivel pin	1
2	RFM0025	Clevis	1
3	RFM0033	Washer	1
4	M6X40GP	Groove pin	1
5	M24GN	Galv. Nut	1
6	M24NY	Nyloc nut	2
7	RFM0023	Washer	2
8	RFM0024	Spring	1
9	RFM0028	Adjusting link pin assy	1
10	M24X130G	Galv. Bolt	1
11	RFM0004	Roller main arm	1
12	1-8BSPSTR	Grease nipple	1
13	M24GFW	Galv. Flat washer	1
14	M30X190G	Galv. Bolt	1
15	RFM0012	Mounting bracket top	1
16	M20X60G	Galv. Bolt	1
17	M30GFW	Galv. Flat washer	1
18	M30NY	Nyloc nut	1
19	RFM0041	Clamp	1
20	M20GFW	Galv. Flat washer	7
21	M20NY	Nyloc nut	7
22	RFM0009	Roller inner arm	1
23	M20X50G	Galv. Bolt	3
24	RFM0048	Roller arm RH	1
25	RFM0037	Roller rear mounting	1
26	RFM0065	1 1/2" Oval flange brg unit	2
27	M16X60G	Galv. Set screw	4
28	M12X45G	Galv. Bolt	8
29	RFM0052	Clamp assy	2
30	RFM0054	Roller arm LH	1
31	RFM0003	Spring roller	8
32	RFM0002	Casting clamp plate	16
33	RFM0001	Casting	16
34	RFM0045	Roller axle	1
35	M10X35G	Galv. Bolt	16
36	M10X25G	Galv. Bolt	64
37	M10GFW	Galv. Flat washer	32
38	M10NY	Nyloc nut	32
39	M10GSW	Galv. Spring washer	64
40	M16GFW	Galv. Flat washer	4
41	M16NY	Nyloc nut	4
42	M12GFW	Galv. Flat washer	8
43	M12NY	Nyloc nut	8
43	RFM0066	Nylon wear washer	2