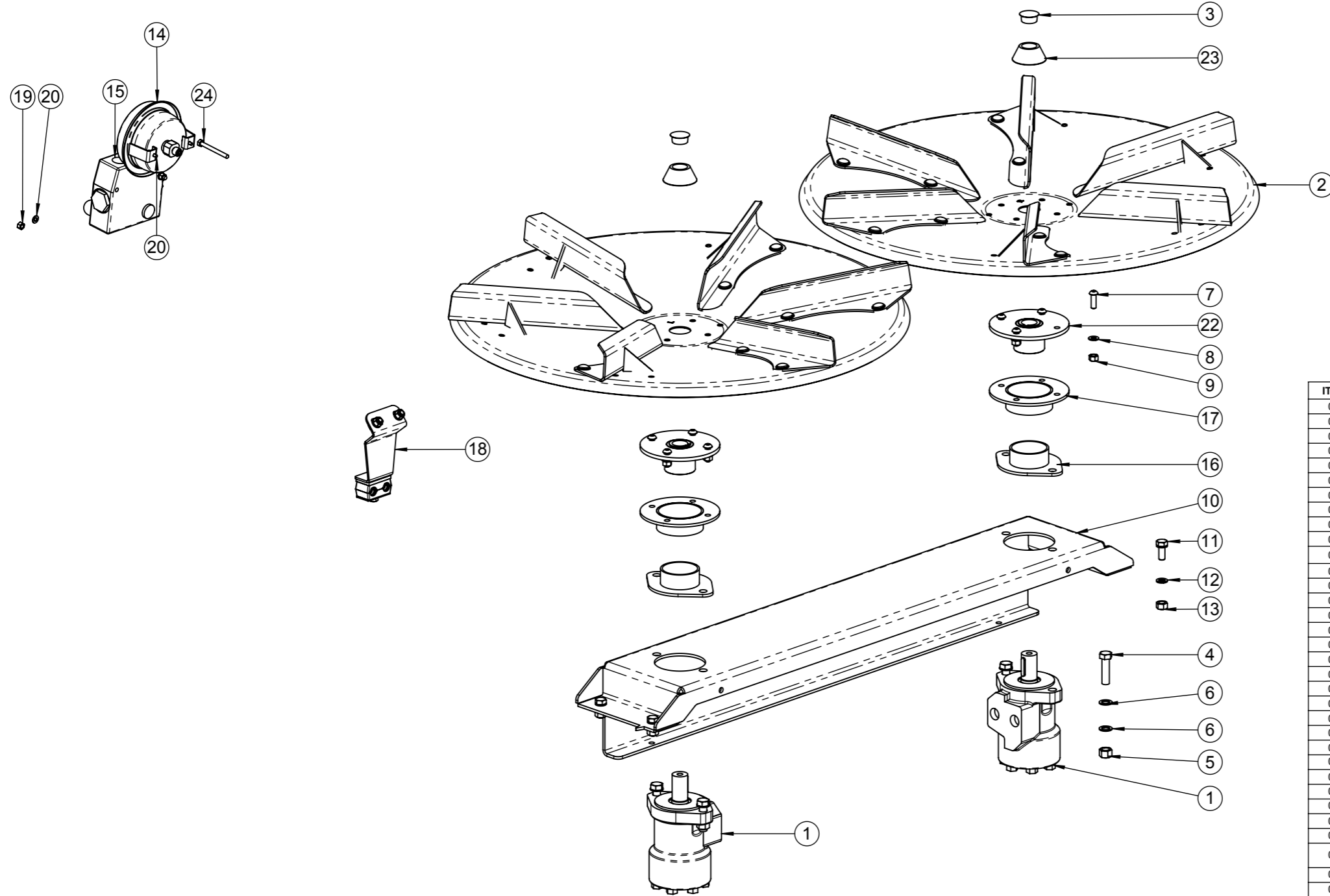


Route Operations	
Work Center	Run Time
LABASS	0.333



ITEM NO.	PART NUMBER	DESCRIPTION	QTY.
000001	WR02180100	HYDRAULIC MOTOR - WR02180100	2
000002	LT10173	BIGGER GENERAL PURPOSE SPINNER SET	1
000003	LT57600	SKIFFY COVER PLUG - 055 0260 000 03	2
000004	M12X45G	GALV BOLT	4
000005	M12NY	GALV NYLOCK NUT	4
000006	M12GFW	GALV FLAT WASHER	8
000007	M8X25BCS	GALV BUTTON HEAD CAP SCREW DIN7380	8
000008	M8GFW	GALV FLAT WASHER	8
000009	M8NY	NYLOCK NUT	8
000010	LT10180	SPINNER MOUNTING BRACKET - 4.5mm	1
000011	<b>M10X25GSS</b>	GALV SET SCREW	4
000012	M10GFW	GALV FLAT WASHER	8
000013	M10NY	NYLOCK NUT	4
000014	PBGU-0-200B	PRES GAUGE 0-200 BAR 1/4"BSP	1
000015	LT10221	FLOW CONTROL VALVE	1
000016	LT10517	CHASSIS CUP	2
000017	LT10518	DISK LID	2
000018	LT10503	PIPE HANGER (COMP)	1
000019	M6NY	GALV NYLOCK NUT	2
000020	M6GFW	GALV FLAT WASHER	4
000021	LT10647	OUTSOURCED HYDRAULICS	1
000022	<b>LT12529</b>	<b>MOUNTING FLANGE WELDED ASSY.</b>	<b>2</b>
000023	<b>LT12526</b>	<b>LOCK BUSH</b>	<b>2</b>
000024	<b>M6X60G</b>	<b>GALV SET SCREW</b>	<b>2</b>
000025	<b>7613-12-12-hydroscand</b>	<b>J GE</b>	<b>3</b>
000026	<b>WTF5707X12</b>	<b>3/4" JIC SWIVEL BRANCH TEE</b>	<b>1</b>
000027	<b>7660-12-12-hydroscand</b>	<b>J EVW</b>	<b>1</b>
000028	<b>7663-12-12-hydroscand</b>	<b>J EVL</b>	<b>1</b>
000029	<b>LT10705-1</b>		<b>2</b>
000030	<b>6041-15-15-hydroscand</b>	<b>Straight coupling G 38 S</b>	<b>4</b>
000031	<b>4273-16-08-2-hydroscand</b>	<b>DKSO</b>	<b>4</b>
000032	<b>4213-12-08-hydroscand</b>	<b>45° IR</b>	<b>3</b>
000033	<b>4216-12-08-hydroscand</b>	<b>45° IR</b>	<b>1</b>
000034	<b>4202-08-08-hydroscand</b>	<b>UF</b>	<b>2</b>
000035	<b>5601-01-08</b>	<b>5601-01</b>	<b>2</b>
000036	<b>5552-02-08</b>		<b>2</b>
000037	<b>LT10705-3</b>		<b>1</b>
000038	<b>LT10705-4</b>		<b>1</b>
000039	<b>LT10705-5</b>		<b>1</b>
000040	<b>LT10705-6</b>		<b>1</b>

REV	DESCRIPTION OF CHANGE	ZONE	AUTH NO.	BY	DATE
P4					
P3					
P1	RELEASED				
P2	BOM CHANGED			E.K	30.07.2014
001	SPINNER DISC SPIGOT UPDATE			EJ	

© COPYRIGHT ROVIC & LEERS (Pty) Ltd

ASSUME A TOLERANCE OF ±1mm FOR DIMENSIONS WITHOUT TOLERANCES ALL DIMENSIONS IN mm UNLESS OTHERWISE SHOWN

TITLE: **HYDRAULIC SPINNER COMPLETE**

PRODUCT:

SCALE: 1:8 SHEET: A3 DRAWING NO. **LT10172** REV **001**

DRAWN BY: Evan

DATE: 23.10.2013

SHEET 1 of 1