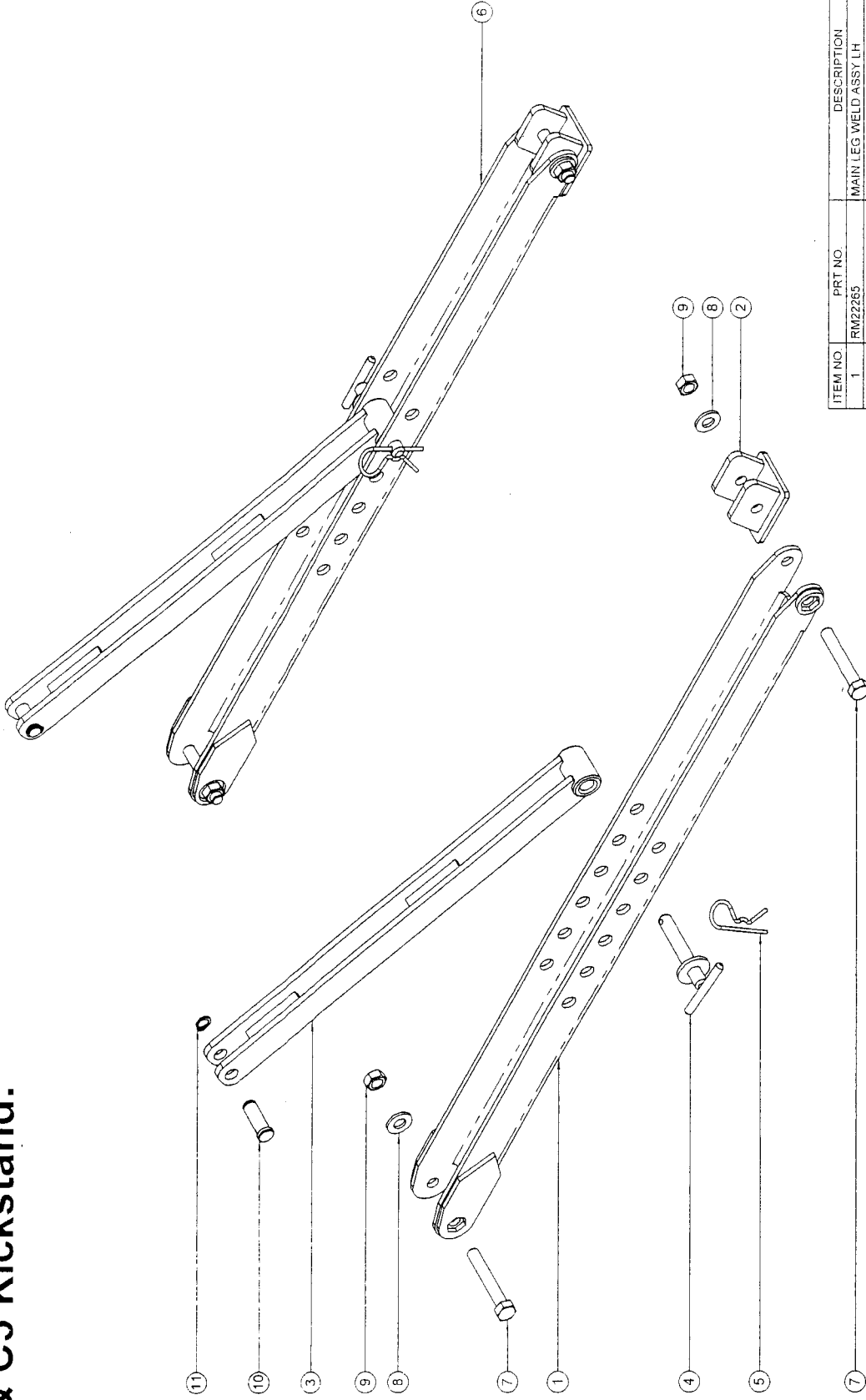


Mk3 & C5 Kickstand:



ITEM NO.	PRT NO.	DESCRIPTION	QTY.	CHECK
1	RM22265	MAIN LEG WELD ASSY LH	1	
2	RM22183	FOOTPIECE	2	
3	RM22194	BRACE	2	
4	RM22198	HOOING PIN	2	
5	S12RC	R-CLIP	2	
6	RM22266	MAIN LEG WELD ASSY RH	1	
7	M14 X 90G	M14 BOLT	4	
8	M14GFW	GALV FLAT WASHER	4	
9	M14NY	NYLOCK NUT	4	
10	RM22195	STRUT PIN	2	
11	M14CIR	DIN471 M16 EXTERNAL CIRCLIP	2	

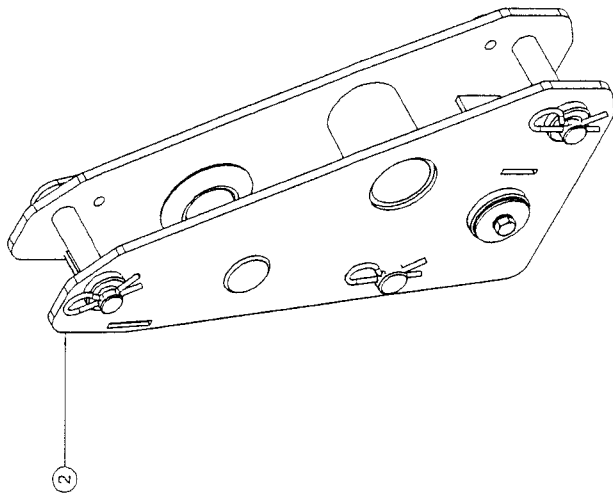
TITLE: KICK STAND CHECK LIST
 PRODUCT: F.E.L.



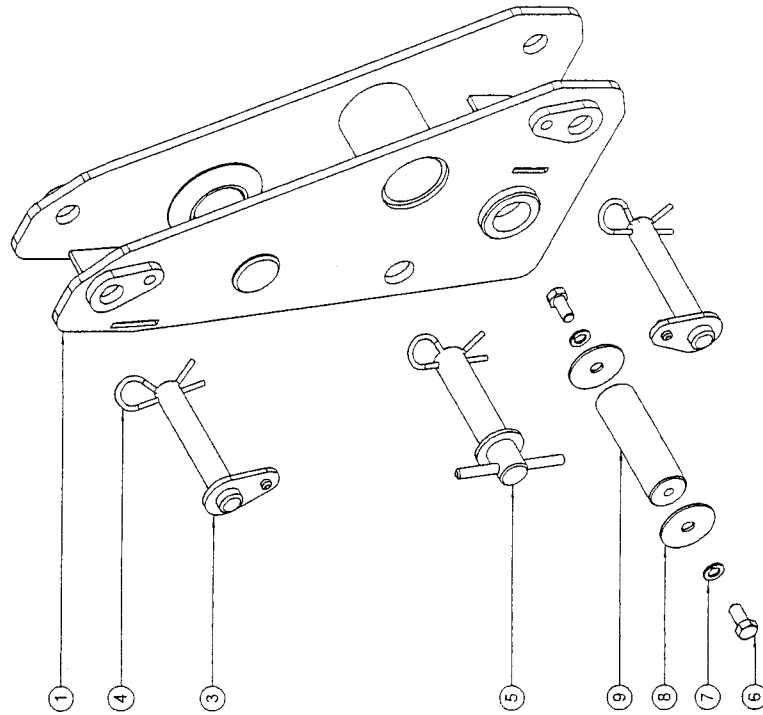
SCALE: 1:5	SHEET: A3	DRAWING NO: RM22200	SHEET REV: 1 of 1
DRAWN BY: E. KROUKAMP	DATE: 25.10.2007		P1

KIT NO.	PACKER.	SIGNATURE.	DATE.
---------	---------	------------	-------

C5 Bearing box set:



LH INSIDE



RH INSIDE

ITEM NO.	PRT. NO.	DESCRIPTION	QTY.	CHECK
1	RM22208	RH BEARING BOX WELD ASSY	1	
2	RM22204	LH BEARING BOX WELD ASSY	1	
3	RM22099	BEARING BOX PIN ASSY	4	
4	S13RC	P-CLIP	6	
5	RM22159	LOCK PIN	2	
6	M12X25GSS	M12 GALVANISED BOLT	4	
7	M12GSSW	M12 SPRING WASHER	4	
8	RM22120	SPECIAL M12 WASHER	4	
9	RM22118	SLIDER PIN	2	

TITLE: BEARING BOX CHECK LIST
 PRODUCT: C5 F.E.L.

SCALE: 1:5 SHEET: A3 DRAWING NO: RFL 22 C
 DRAWN BY: E. KROUKAMP
 DATE: 25.10.2007

1 KOVIC & LEERS

SHEET REV: 1 of 1 P1

KIT NO. _____

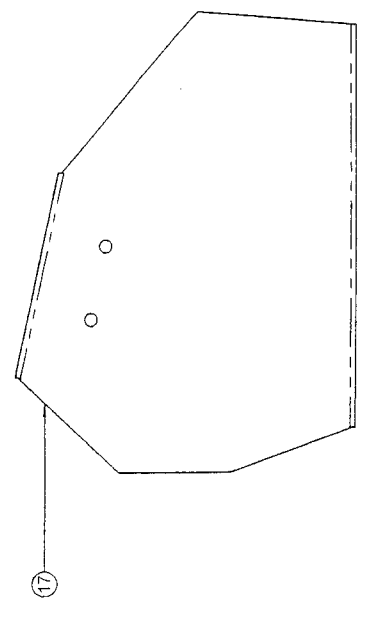
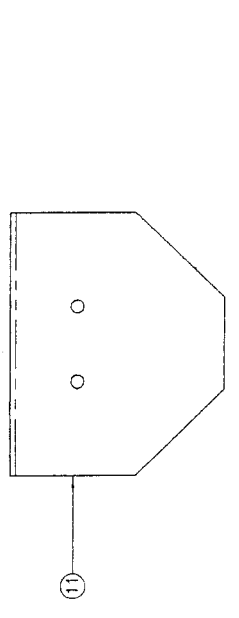
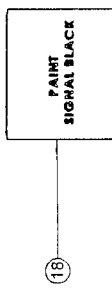
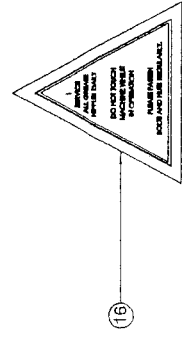
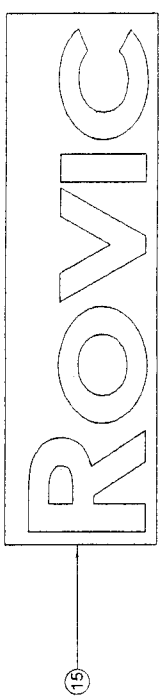
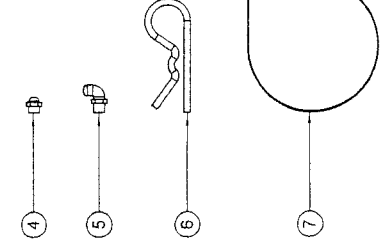
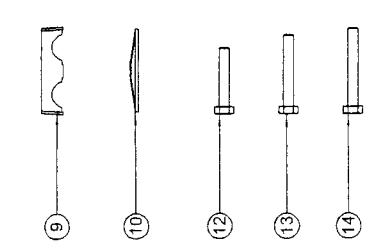
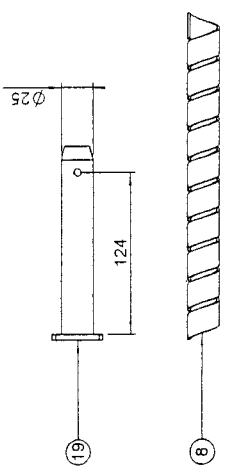
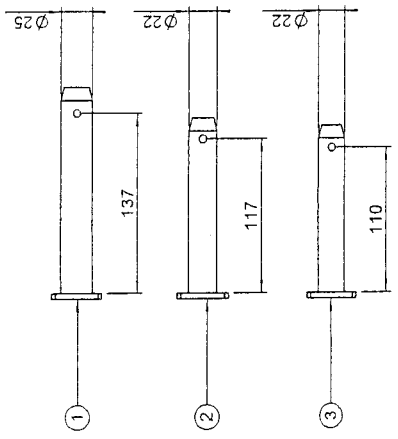
PACKER. _____

SIGNATURE. _____

DATE. _____

1 _____ 2 _____ 3 _____ 4 _____ 5 _____ 6 _____ 7 _____ 8 _____ 9 _____ 10 _____ 11 _____ 12 _____

C5 Heavy Duty fastener & sundry items:



ITEM NO.	PRT. NO.	DESCRIPTION	QTY.	CHECK
1	319	Ø25 PIN - LONG ASSY	2	
2	317	Ø22 PIN - LONG ASSY	2	
3	318	Ø22 PIN - SHORT ASSY	2	
4	1_BSPSTR	GREASE NIPPLE	2	
5	1_BSPF90	90 DEG GREASE NIPPLE	2	
6	S13RC	R-CLIP	8	
7	4 BX381CT	CABLE TIE	4	
8	SGx25	BLACK SPIRAL (3m)	1	
9	RFL316	CLAMP BLOCK (HRZ3KP20-20PP)	16	
10	RFL317	TOP PLATE (HRZ3DPS12MC)	8	
11	RM22258	EX & HD LH COVER PLATE	1	
12	MBX45G	GALV BOLT	6	
13	MBX55G	GALV BOLT	4	
14	MBX60G	GALV BOLT	2	
15	R045	ROVIC STICKER	2	
16	JS024	WARNING STICKER	2	
17	RM22257	HD RH COVER PLATE	2	
18	PA-22-1	SIGNAL BLACK PAINT (1L)	1	
19	316	Ø25 PIN - SHORT ASSY	2	

FASTENERS & SUNDRY CHECK LIST

SCALE: 1:4 SHEET: A3 DRAWN BY: E. KROUKAMP DATE: 18.11.2007

DEPARTMENT: RM22284

ROVIC & LEERS

KIT NO. _____ PACKER. _____ SIGNATURE. _____ DATE. _____