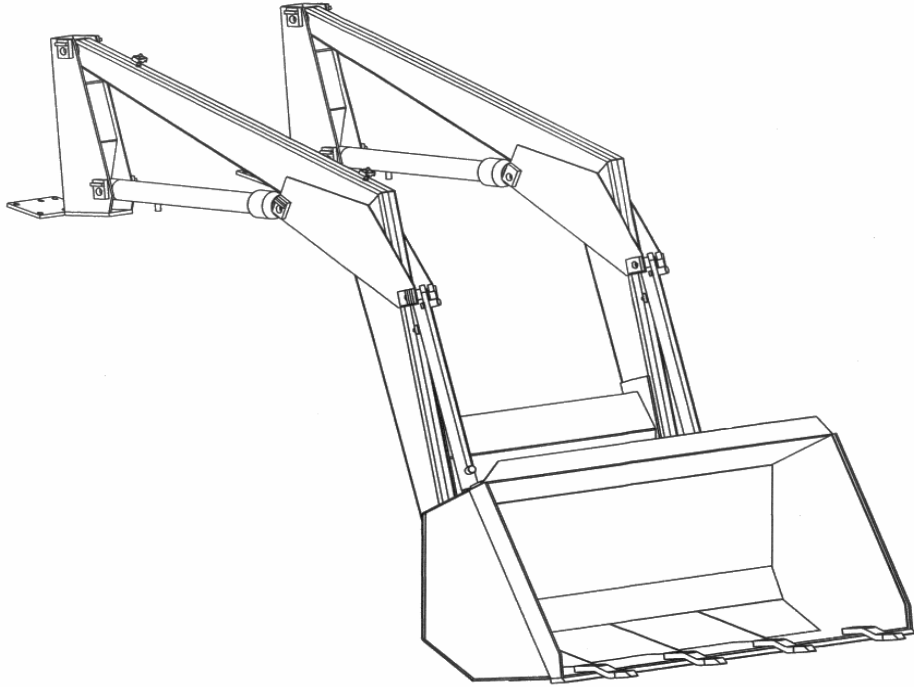




Mk3 Loaders



Parts Manual

Book part no: RL30002

Branches

Cape Town
Tel: (021) 907 1700
Fax: (021) 907 1760

Johannesburg
Tel: (011) 396 6200
Fax: (011) 396 6220

Pietermaritzburg
Tel: (033) 346 2727
Fax: (033) 346 2746

www.rovicleers.co.za

Effective Date: November 06

MK 3 LOADERS

INDEX

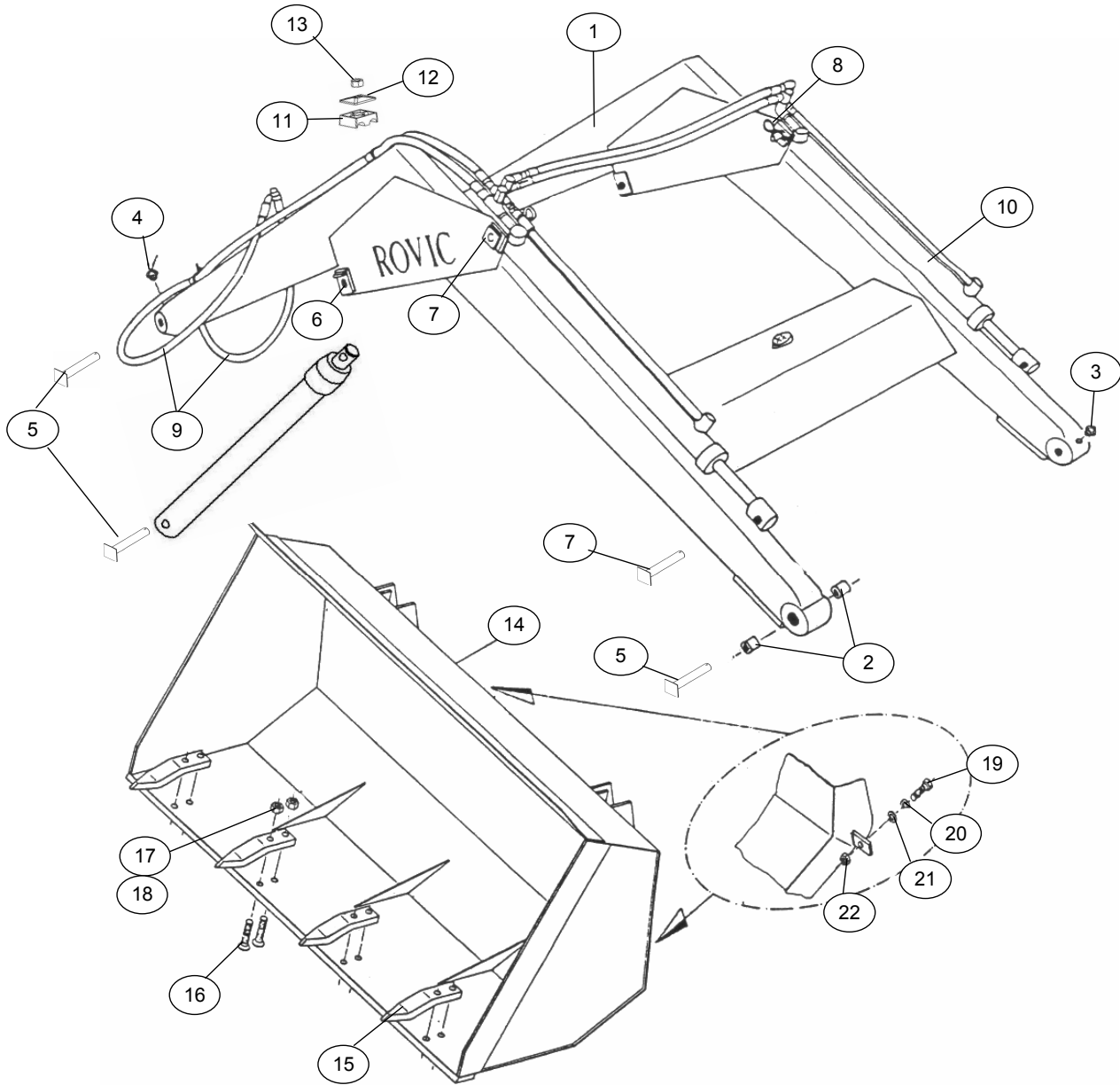
PAGES	DESCRIPTION
1 - 2	Heavy duty loader with 400 Lt. Bucket
3 - 4	Extra heavy duty loader with 600 Lt. bucket
5 - 6	Hydraulics
7 - 8	Cylinders
9	Stickers
10	<u>OPTIONAL EQUIPMENT</u>
11 - 12	Buck rake
11 - 12	Dozer blade
13 - 14	Fork lift
13 - 14	Round bale handler
15 - 16	Bulk bag handler
17 - 18	Hay grab

WHEN ORDERING SPARE PARTS, PLEASE STATE:

- 1 Model, Serial Number & Size
- 2 Part number & description (of the spare part)
- 3 Number of parts required
- 4 Forwarding instructions
- 5 Correct name & Address of destination
- 6 Order number of approved Rovic & Leers dealer
- 7 Contact detail of recipient. (Consignee)

MK 3 LOADERS

HEAVY DUTY LOADER ARM & 400LT. BUCKET



MK 3 LOADERS

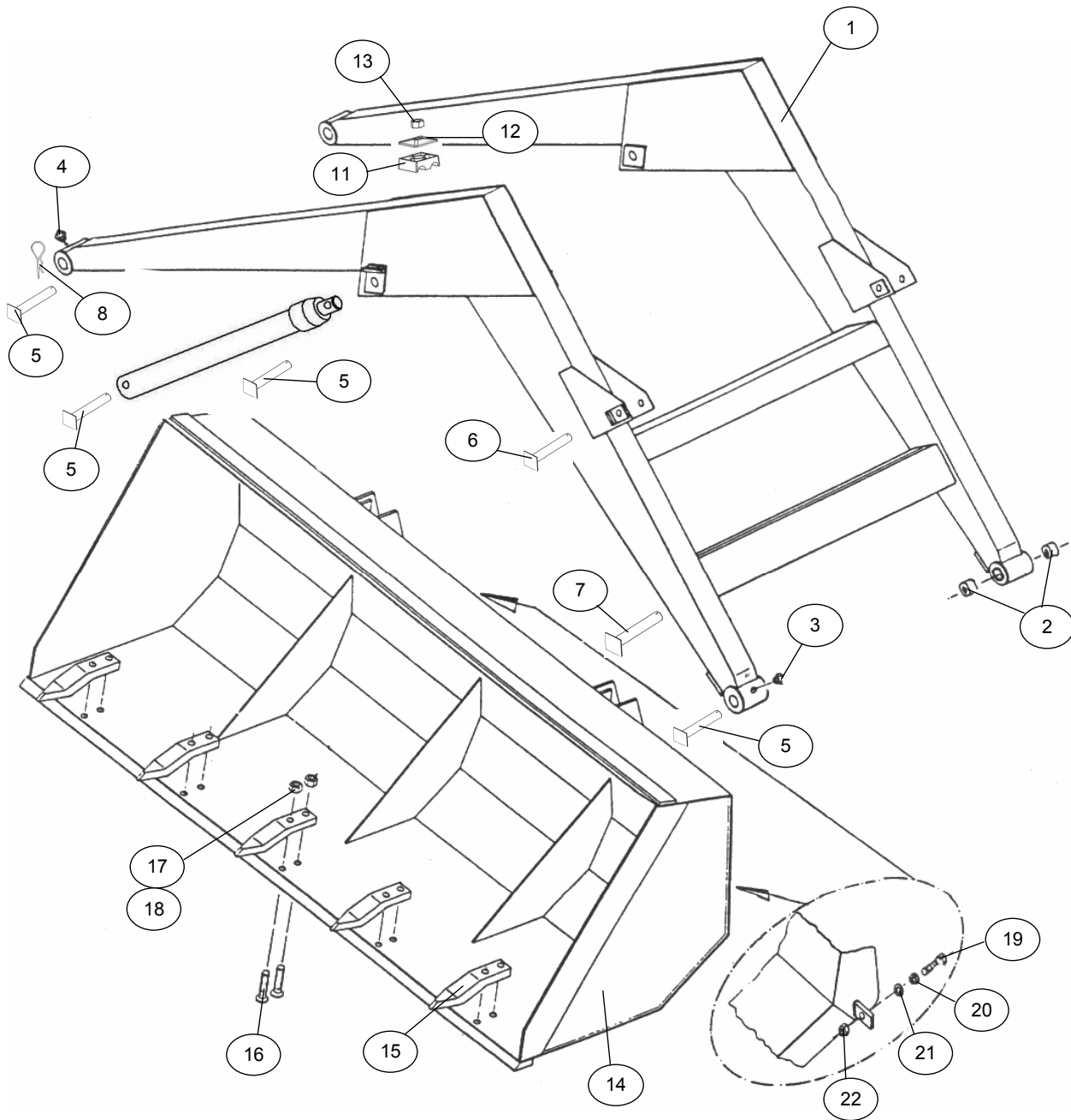
HEAVY DUTY LOADER ARM & 400LT. BUCKET

ITEM NO.	PART NUMBER	DESCRIPTION	QTY
1	RL33HD	Main frame HD	1
2	RL308	Bush	4
3	1/8BSP90	Grease nipple	2
4	1/8BSPSTR	Grease nipple	2
5	RL319	Dia25 x 157 Loader pin long	6
6	RL316	Dia25 x 136 Loader pin short	2
7	RL318	Dia 22 x 127 Loader pin short	4
8	S13RC	R - clip	12
9	RL41HD	Hydraulic pipe set	1
10	RL395	Hydraulic cylinder	2
11	JS54928	Clamp hyd. green	4
12	JS54927	Cover hyd. clamp	4
13	M8NY	Nyloc nut	4

	AARL06	Earth bucket complete	
14	RL03	Bucket (400Lit.)	1
15	RL35	Bucket tooth	4
16	M16X65GP	Plough bolt	8
17	M16GSW	Galv. Spring washer	8
18	M16GN	Galv. Nut	8
19	M20X90GSS	Galv. Bolt	2
20	M20 1/2GN	Half nut	2
21	M20GSW	Galv. Spring washer	2
22	M20GN	Galv. Nut	2

MK 3 LOADERS

EXTRA HEAVY DUTY LOADER ARM & 600LT. BUCKET



MK 3 LOADERS

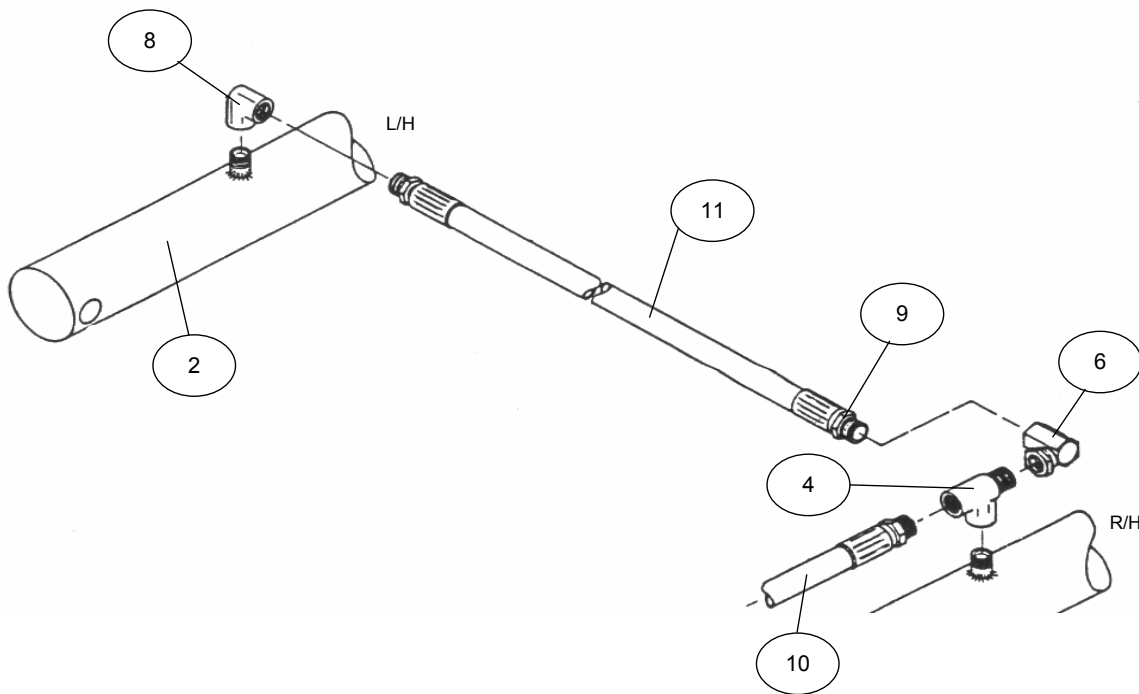
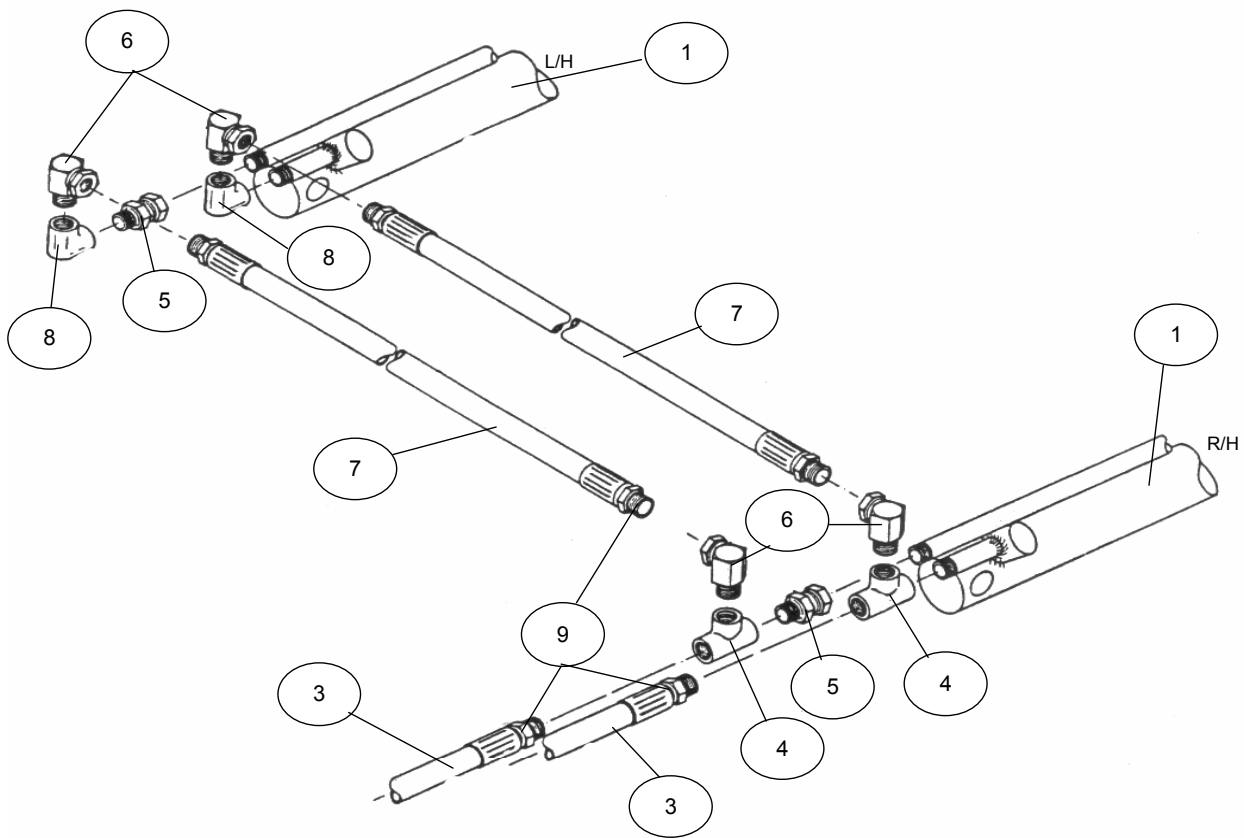
EXTRA HEAVY DUTY LOADER ARM & 600LT. BUCKET

ITEM NO.	PART NUMBER	DESCRIPTION	QTY
1	RL33EX-HD	Main frame EHD	1
2	RL308	Bush	4
3	1/8BSP90	Grease nipple	2
4	1/8BSPSTR	Grease nipple	2
5	RL319	Dia25 x 157 Loader pin long	8
6	RL317	Dia 22 x 141 Loader pin long	2
7	RL318	Dia 22 x 127 Loader pin short	2
8	S13RC	R - clip	12
9	PR41EX-HD	Hydraulic pipe set	1
10	RL395	Hydraulic cylinder	2
11	JS54928	Clamp hyd. green	4
12	JS54927	Cover hyd. clamp	4
13	M8NY	Nyloc nut	4

	AARL07	Earth bucket complete	
14	RL456	Bucket (600Lit.)	1
15	RL35	Bucket tooth	5
16	M16X65GP	Plough bolt	10
17	M16GSW	Galv. Spring washer	10
18	M16GN	Galv. Nut	10
19	M20X90GSS	Galv. Bolt	2
20	M20 1/2GN	Half nut	2
21	M20GSW	Galv. Spring washer	2
22	M20GN	Galv. Nut	2

MK 3 LOADERS

HYDRAULICS



MK 3 LOADERS

HYDRAULICS

Heavy duty

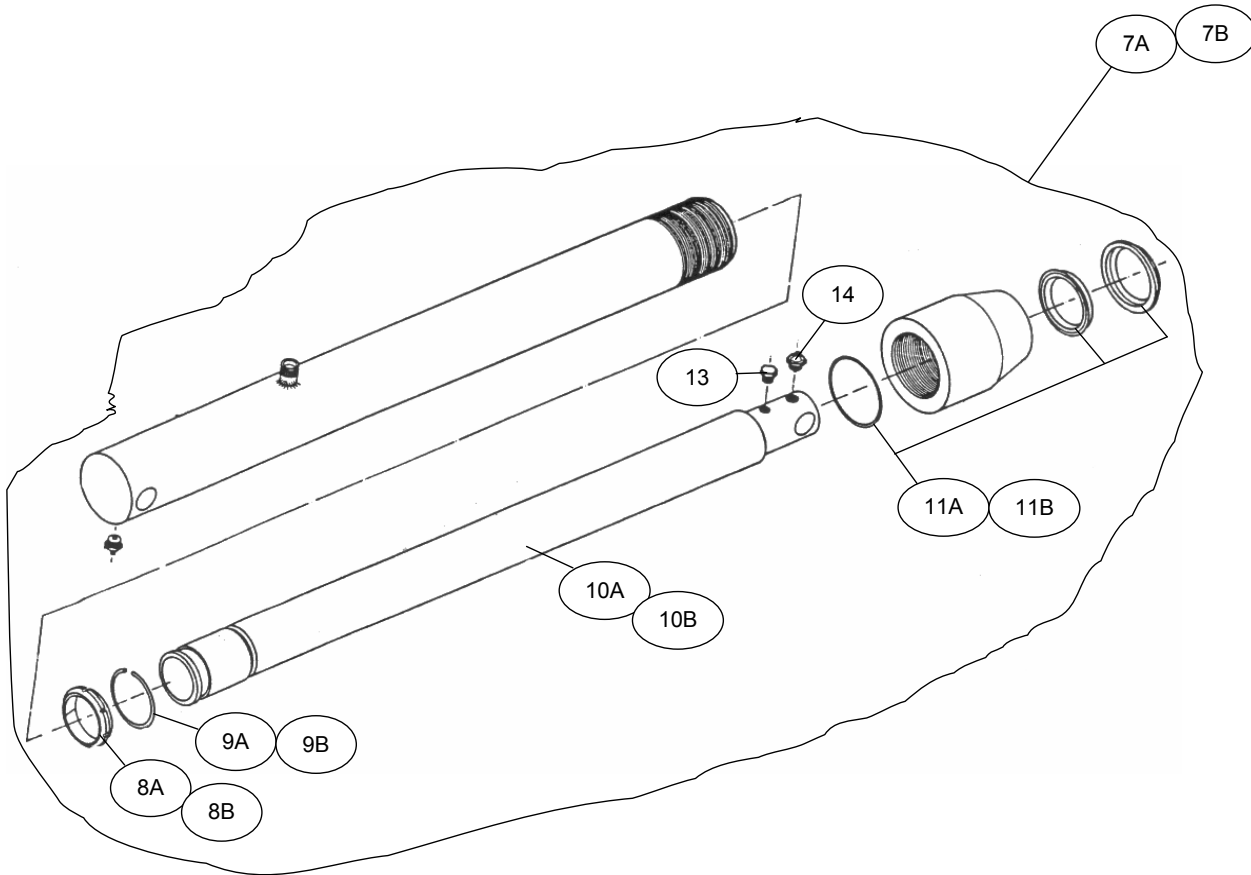
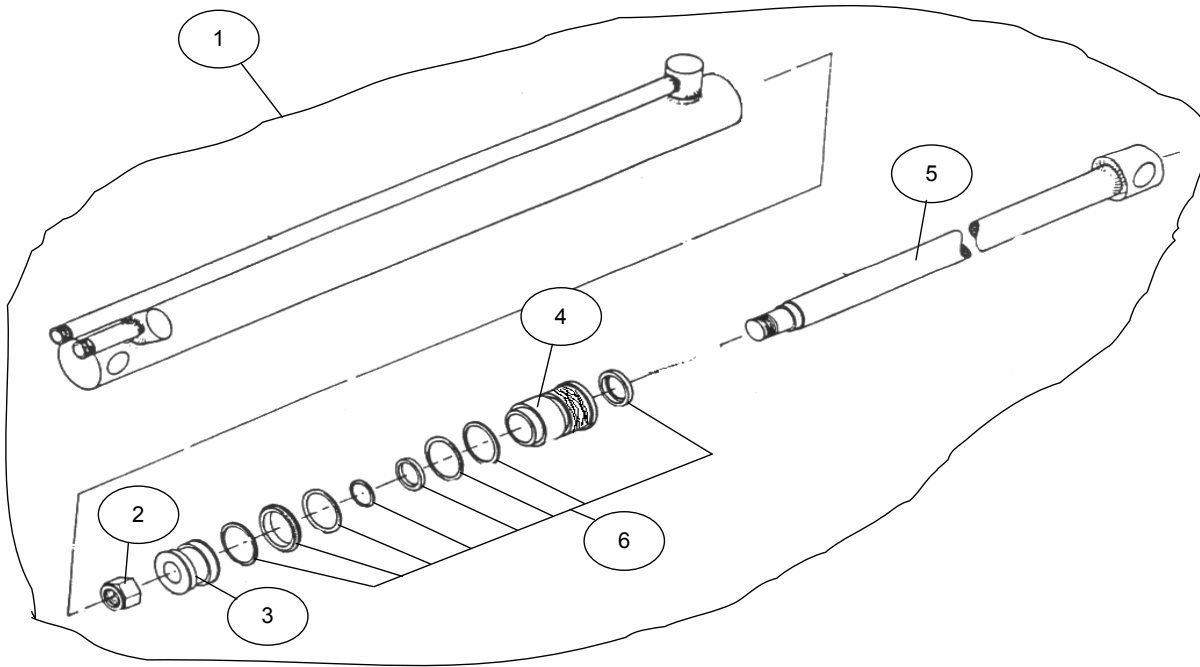
ITEM NO.	PART NUMBER	DESCRIPTION	QTY
1	RL395	Cylinder - bucket ram 30mm)	2
2	RL38	Cyl. HD main ram	2
3	RL41	Hydraulic pipe (2.6m)	2
4	3/8MMOS	3/8" Female T-piece	3
5	0107-6-6	Male / female adaptor	2
6	2107-6-6	Male / female 90deg elbow	5
7	RL40	Hydraulic pipe (900mm)	2
8	3/8DDS	3/8" Female bend	3
9	064-106	Crimp on	9
10	RL43	Hydraulic pipe (2.1m)	1
11	RL44	Hydraulic pipe (1.3m)	1
3 - 11	RL41HD	Complete hydraulic pipe set	

Extra heavy duty

ITEM NO.	PART NUMBER	DESCRIPTION	QTY
1	RL395	Cylinder - bucket ram (30mm)	2
2	RL38HD	Cyl. EHD main ram	2
3	RL41	Hydraulic pipe (3m)	2
4	3/8MMOS	3/8" Female T-piece	3
5	0107-6-6	Male / female adaptor	2
6	2107-6-6	Male / female 90deg elbow	5
7	RL40	Hydraulic pipe (900mm)	2
8	3/8DDS	3/8" Female bend	3
9	064-106	Crimp on	9
10	RL43	Hydraulic pipe (2.5m)	1
11	RL44	Hydraulic pipe (1.7m)	1
3 - 11	PR41EX-HD	Complete hydraulic pipe set	

MK 3 LOADERS

CYLINDERS



MK 3 LOADERS

CYLINDERS

Tilt cylinder spares

ITEM NO.	PART NUMBER	DESCRIPTION	QTY
1	RL395	Complete tilt cylinder	1
2	RL339	3/4" U.N.C. nyloc nut	1
3	RL342	Piston	1
4	RL397	Gland housing	1
5	RL396	Complete spindle	1
6	RL398	Complete seal kit	1

Heavy duty main ram spares

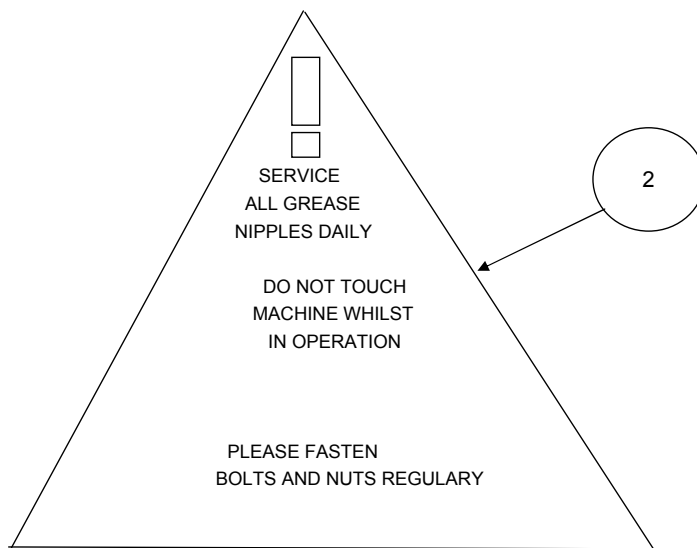
ITEM NO.	PART NUMBER	DESCRIPTION	QTY
7A	RL38	Complete main cylinder - HD	1
8A	RL349A	Guide ring	1
9A	RL347	Circlip	1
10A	RL345	Spindle	1
11A	RL349	Complete seal kit	1
12A	RL346	Cylinder head	1
13	RL348	Bleed screw	1
14	1/8BSPSTR	1/8" B.S.grease nipple	1

Extra heavy duty main ram spares

ITEM NO.	PART NUMBER	DESCRIPTION	QTY
7B	RL38HD	Complete main cylinder - EHD	1
8B	RL349AHD	Guide ring	1
9B	RL347HD	Circlip	1
10B	RL345HD	Spindle	1
11B	RL349HD	Complete seal kit	1
12B	RL346HD	Cylinder head	1
14	1/8BSPSTR	1/8" B.S.P. grease nipple	1

MK 3 LOADERS

STICKERS



ITEM NO	PART NUMBER	DESCRIPTION	QTY
1	R 45	Rovic	2
2	JS024	Sti. Grease triangle white	2

MK 3 LOADERS

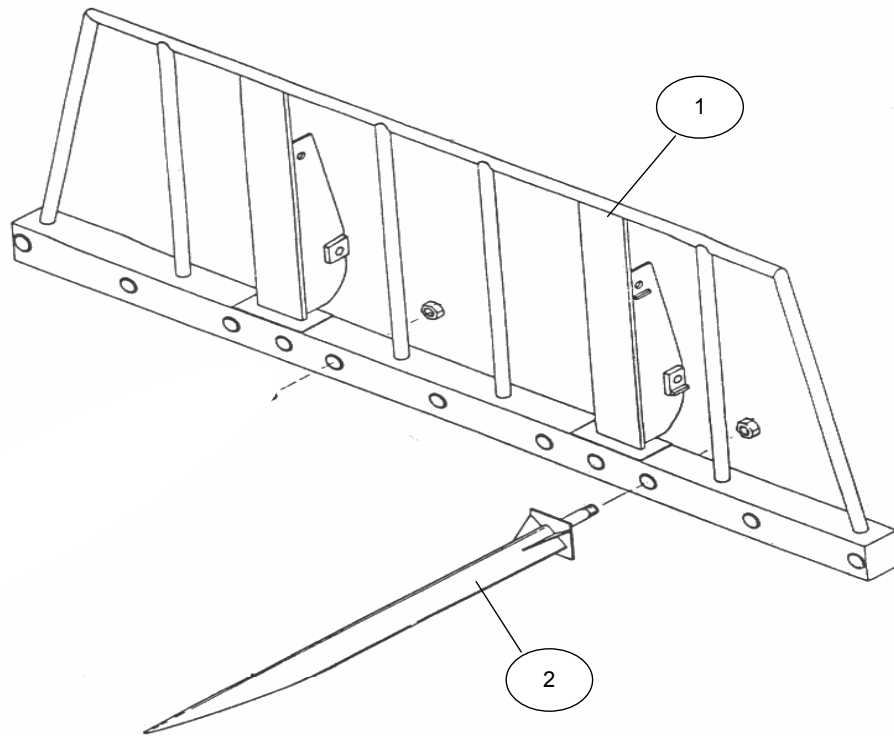
INDEX OPTIONAL EQUIPMENT

PAGE	DESCRIPTION
11 - 12	Buck rake
13 - 14	Dozer blade
15 - 16	Fork lift
17 - 18	Round bale handler
19 - 20	Bulk bag handler
21 - 22	Hay grab

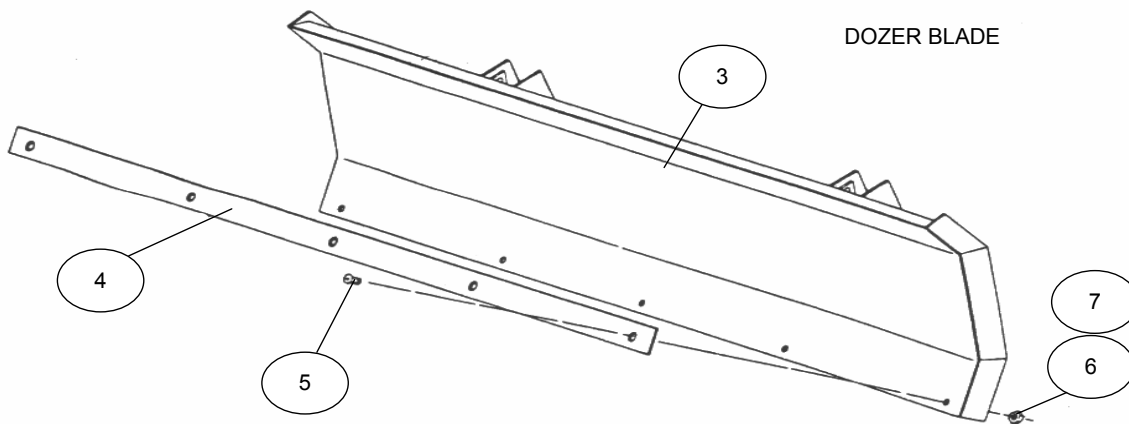
MK 3 LOADERS

OPTIONAL EQUIPMENT

BUCK RAKE



DOZER BLADE



MK 3 LOADERS

OPTIONAL EQUIPMENT

AARL13 Buck rake

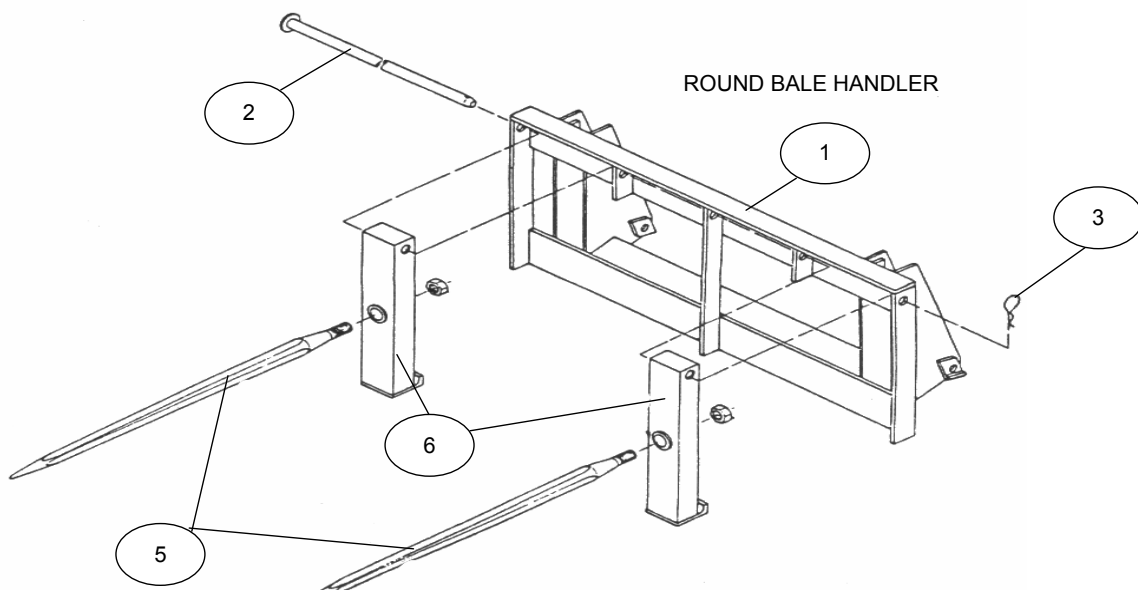
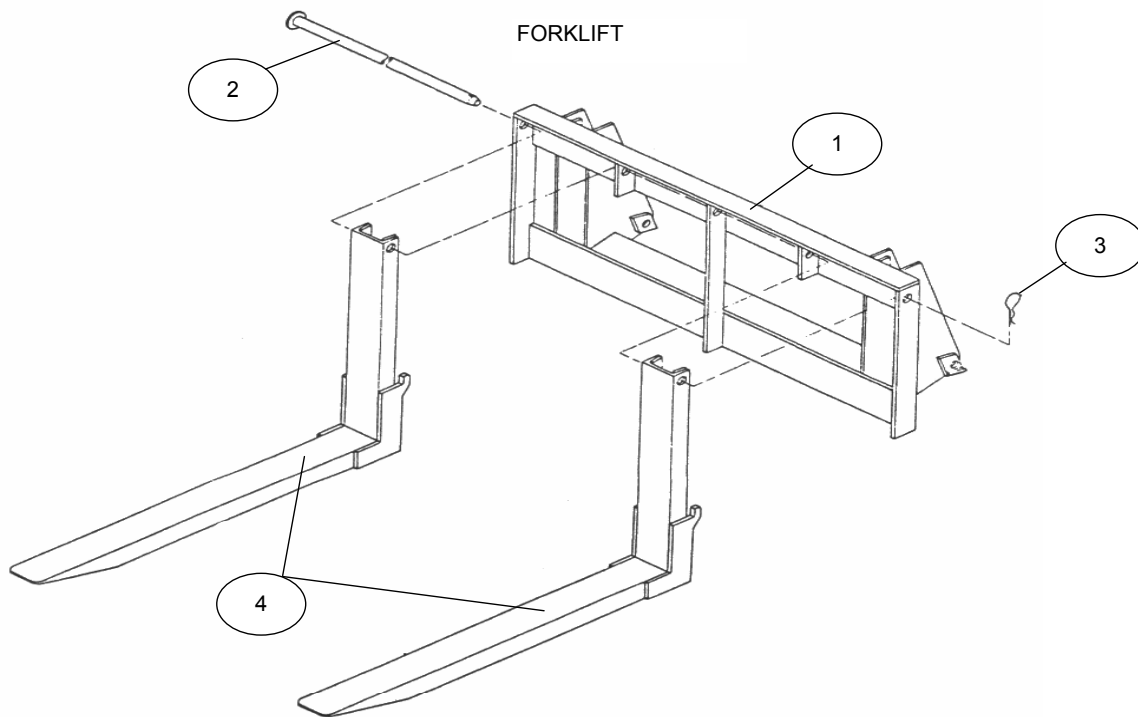
ITEM NO.	PART NUMBER	DESCRIPTION	QTY
1	RL457	Buck rake main frame	1
2	RL458	Rovic buck rake tine & nut	11

AARL14 Dozer blade

ITEM NO.	PART NUMBER	DESCRIPTION	QTY
3	RL459	Dozer blade	1
4	RL369	Cutting edge	1
5	M16X65GP	Plough bolt	5
6	M16GN	Galv. Nut	5
7	M16GSW	Galv. Spring washer	5

MK 3 LOADERS

OPTIONAL EQUIPMENT



MK 3 LOADERS

OPTIONAL EQUIPMENT

Fork lift

ITEM NO.	PART NUMBER	DESCRIPTION	QTY
1	RL460	Main frame	1
2	RL461	Pin	1
3	S13RC	R - clip	1
4	RL45	Fork lift tine	2

1 - 3	AARL30	Backpiece
-------	--------	-----------

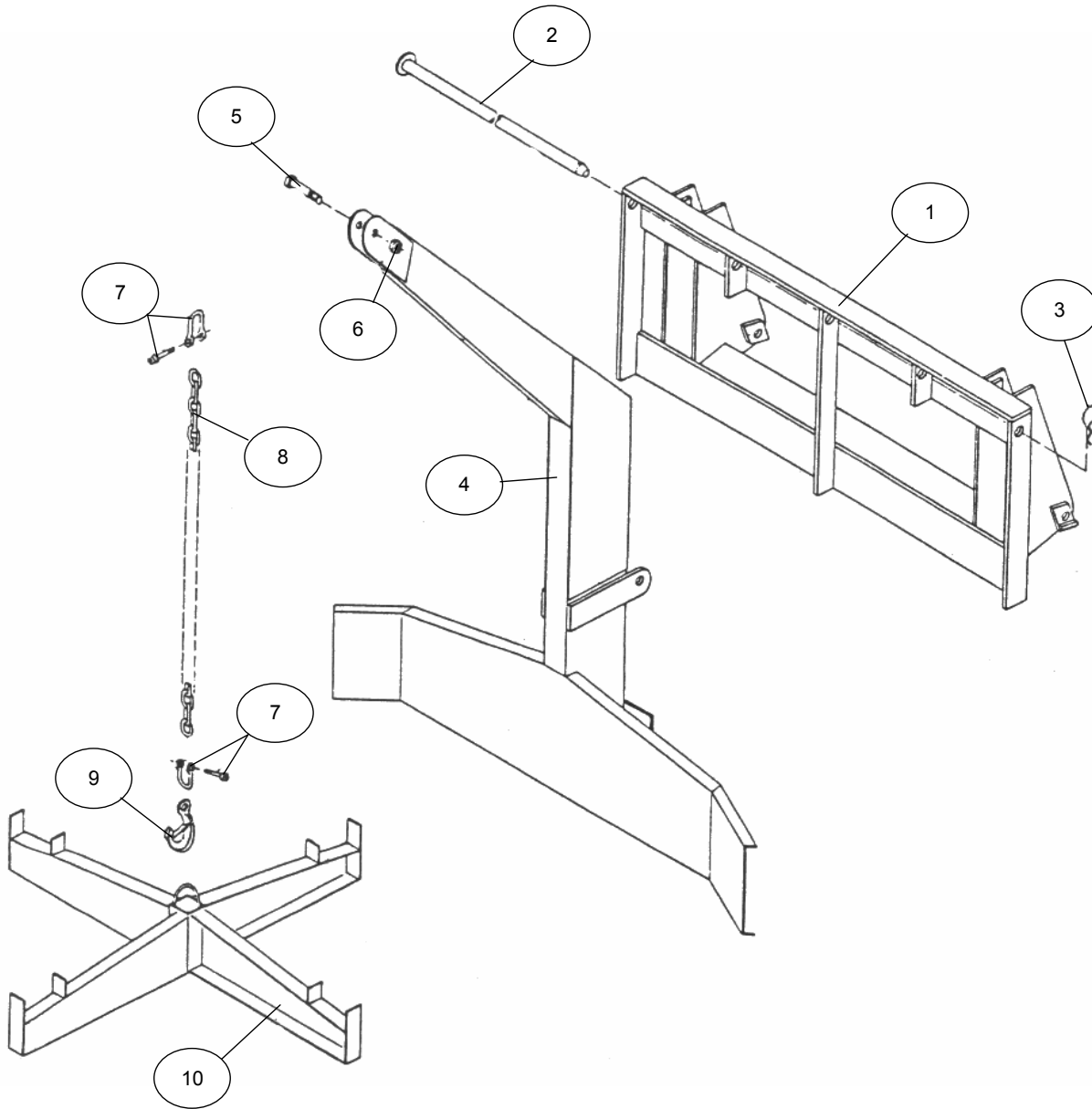
Round bale handler

ITEM NO.	PART NUMBER	DESCRIPTION	QTY
1	RL460	Main frame	1
2	RL461	Pin	1
3	S13C	R - clip	1
5	RL241109	Round bale handler tine & nut (9	2
5	RL241162	Round bale handler tine & nut (1	2
5	RL241163	Round bale handler tine & nut (1	2
6	RL242	Bale tine bracket	2

1 - 3	AARL30	Backpiece
-------	--------	-----------

MK 3 LOADERS

OPTIONAL EQUIPMENT



MK 3 LOADERS

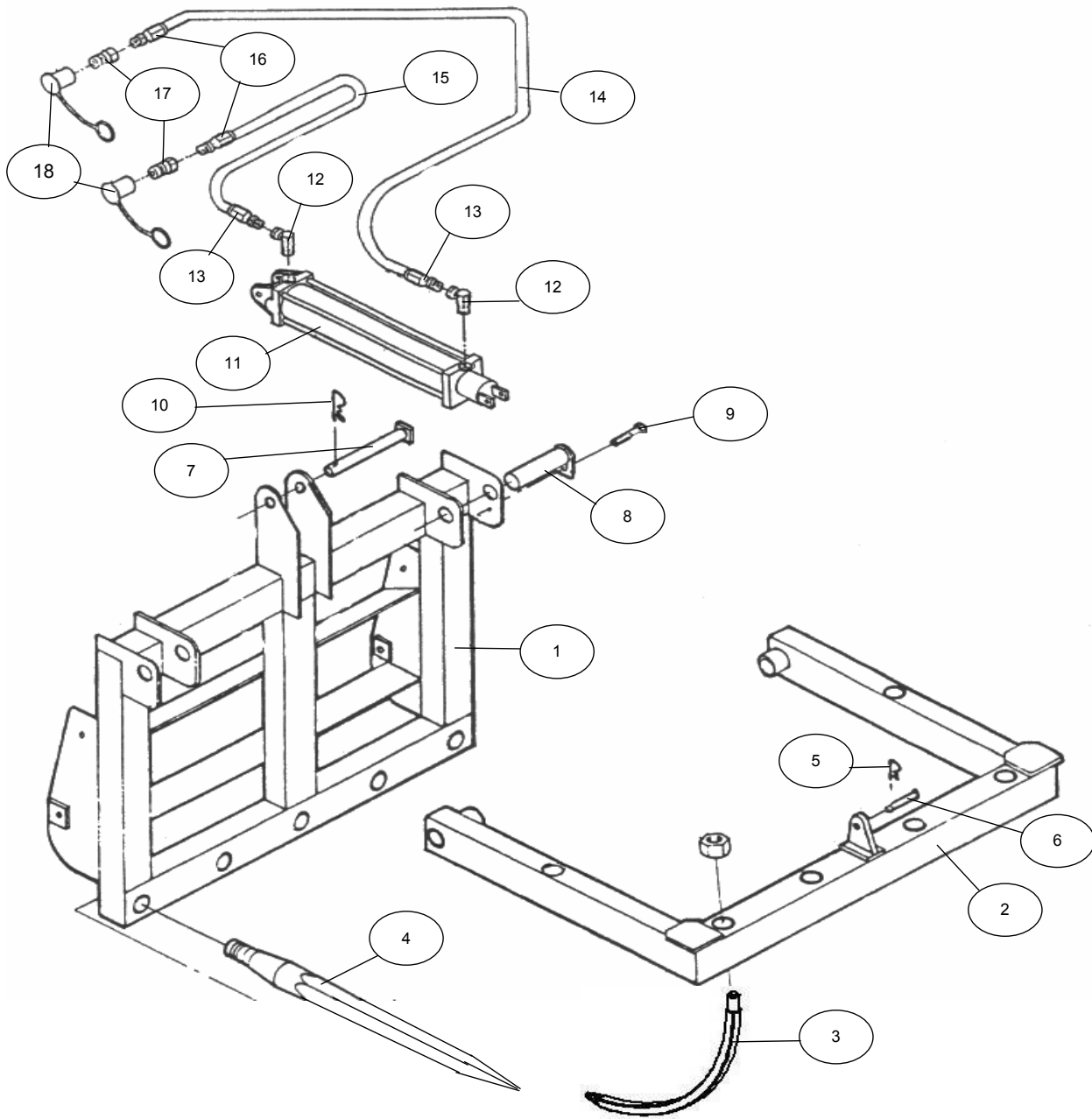
OPTIONAL EQUIPMENT

ITEM NO.	PART NUMBER	DESCRIPTION	QTY
1	RL460	Backpiece	1
2	RL461	Pin	1
3	S13RC	R - clip	1
4	RL462	Arm	1
5	M14X90G	Galv. Bolt	1
6	M14NY	Nyloc nut	1
7	S1/2DS	1/2" D-Shackle	2
8	10CHLL	Chain	1
9	S3/4HOOK	3/4 Ton cosby hook	1
10	RL244	Cross piece	1

1 - 3	AARL30	Backpiece
-------	--------	-----------

MK 3 LOADERS

OPTIONAL EQUIPMENT



MK 3 LOADERS

OPTIONAL EQUIPMENT

ITEM NO.	PART NUMBER	DESCRIPTION	QTY
1	RL56601	Main frame	1
2	RL56615	Grab arm	1
3	RL241109/C	Curve tine	6
4	RL241109	Square tine	5
5	S12RC	R - clip	1
6	ID1551-16275	Pin	1
7	RL56524	Hydraulic cyl retaining pin	1
8	RL56625	Pivot pin	2
9	M12X35GSS	Galv. Set screw	2
10	S13RC	R - clip	1
11	RL56535	Hydraulic cylinder	1
12	2107-8-6	Male - female elbow	2
13	06U-106	Crimp on	2
14	RL56618	3/8" x 5.5m Hydraulic hose	1
15	RL56619	3/8" x 5.2m Hydraulic hose	1
16	06U-108	Crimp on	2
17	8010-4	Nose piece	2
18	52094M	Dust plug	2

13 - 18	RL56635	Hydraulic hose complete 5.5m
13, 15, 16, 17	RL56630	Hydraulic hose complete 5.2m
11 - 12	RL56620	Cylinder complete