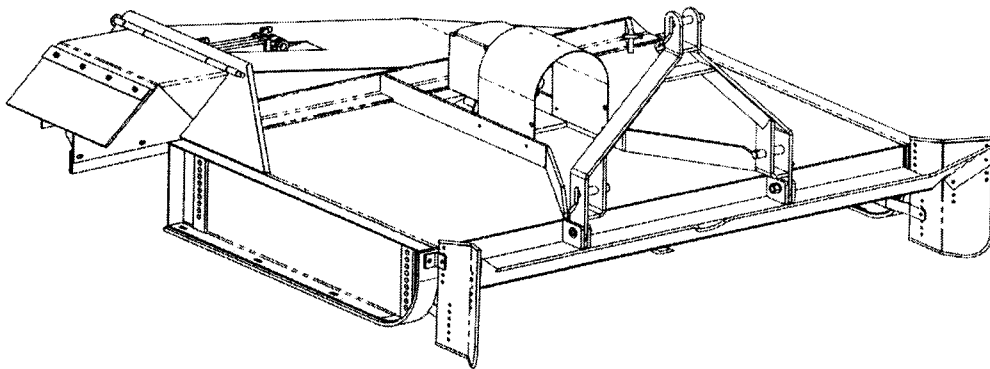




Rovic Mulcher



Operators & Parts Manual

Book part no: RH00200

Branches

Cape Town
Tel: (021) 907 1700
Fax: (021) 907 1760

Johannesburg
Tel: (011) 976 3070
Fax: (011) 976 1738

Pietermaritzburg
Tel: (033) 346 2727
Fax: (033) 346 2746

www.rovicleers.co.za

Effective Date: August 2008

ROVIC MULCHER

INDEX

PAGES	DESCRIPTION
	<u>Operators Manual</u>
1	Safety
1	Machine details
2	Delivery / Instalation
2	Mounting to the tractor
2	Adjustments
3	Operation
4	Maintanance
4	Use of optional accessories
5	Setting up cutting blades
6	General cleaning
7	Trouble-shooting
8 - 9	1.1m Body complete
10 - 11	1.1m Cutter blade complete
12 -13	1.3m Body complete
14 - 15	1.3m Cutter blade complete
16 - 17	1.5m Body complete
18 - 19	1.5m Cutter blade complete
20 - 21	1.8m Body complete
22 - 23	1.8m Cutter blade complete
24 - 25	1.8m Bush Cutter
26 - 27	Hydraulics
28	Stickers
29	Warranty

WHEN ORDERING PARTS, PLEASE STATE:

- 1 Model, Serial Number & Size - No of tines (of the implement.)
- 2 Part number & description (of the spare part)
- 3 Number of parts required
- 4 Forwarding instructions
- 5 Correct name & Address of destination
- 6 Order number of approved Rovic & Leers dealer
- 7 Contact detail of recipient. (Consignee)

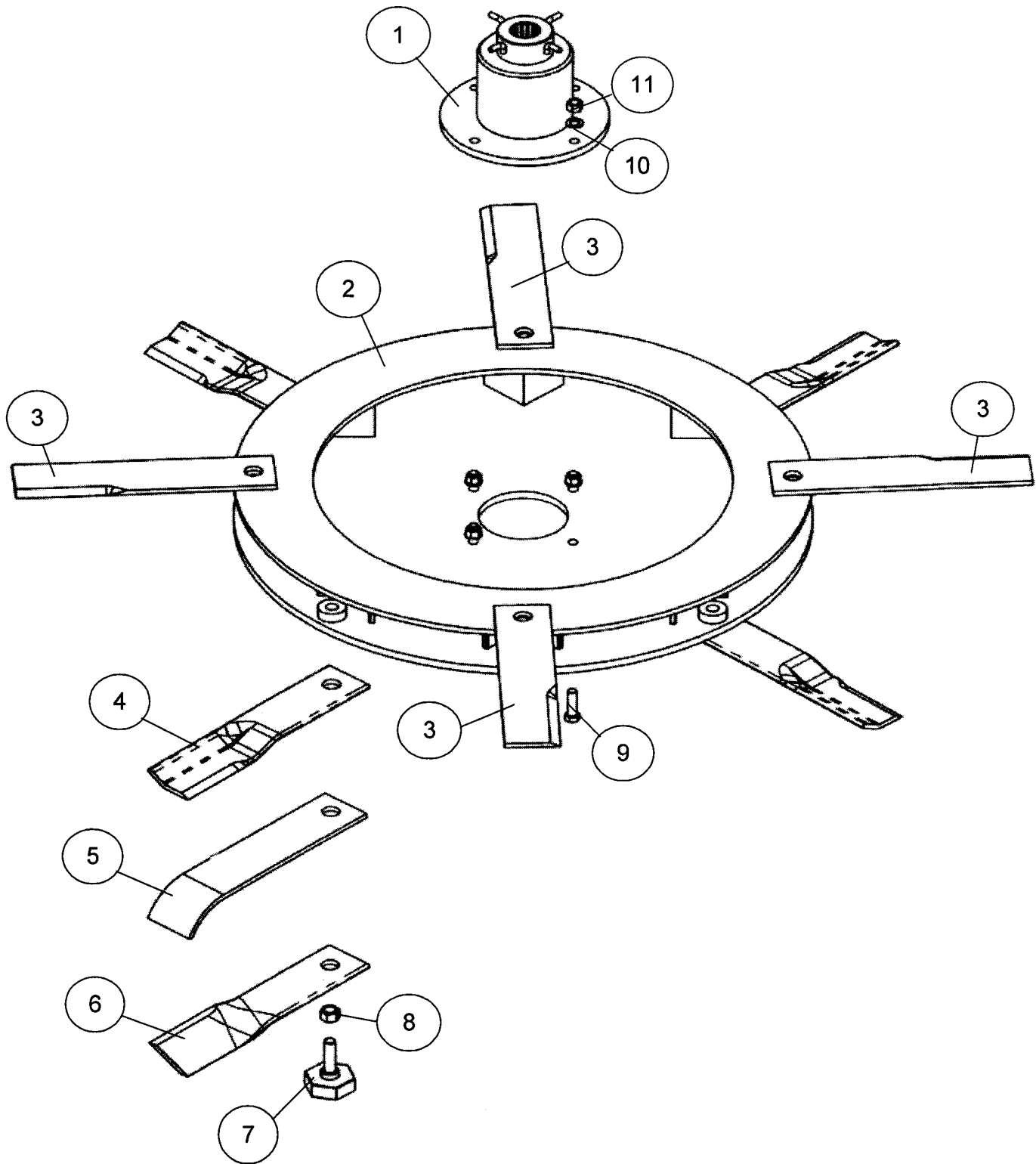
ROVIC MULCHER

1.1m UNIT

ITEM NO.	PART NUMBER	DESCRIPTION	QTY.
1	M110-01-00	Main body	1
2	B150-03-00A	Headstock	1
3	AFTGBG81.93	Gearbox 81kW 6-Spline	1
4	M110-02-01	Clutch cover	1
5	M110-04-00	Skid body - RH	1
6	M110-04-00LH	Skid body - LH	1
7	M110/06/030.7	Apron side - LH	1
8	M110/06/030.6	Apron side - RH	1
9	M110/05/10	Apron	1
10	MU110-0027	Skid	2
11	M110-05-00A	Deflector welded assy	1
12	M110-05-07	Conveyor belting	1
13	M110-05-03	Rubber flap holder	1
14	M110/05/13	Straight chain panel	1
15	M110/05/14	Curved chain panel	1
16	M11-008	1" - 14 Flanged hex. Nut	1
17	M110-05-06	Deflector pin	1
18	MU1540	Hydraulic ram & hose kit	1
19	CUTTER DISC	See P. 8 for detail	1
20	B150-03-06	Top mntg pin	1
21	S40LP	Lynch pin	3
22	B150-03-07	Lower mntg pin	2
23	S1/2DS	D - shackle	4
24	M130/05/09	Chain 19 links	2
25	M110/01/06	Rear lower stiffener bar	1
26	M20X65G	Galv. Bolt	2
27	M20GFW	Galv. Flat washer	6
28	M20NY	Nyloc nut	6
29	M8X35G	Galv. Bolt	4
30	M8GFW	Galv. Flat washer	4
31	M8NY	Nyloc nut	4
32	M12X40GP	Countersunk plough bolt	6
33	M12GSW	Galv. Spring washer	12
34	M12GN	Galv. Nut	12
35	M12X40CHB	Galv. Cub head bolt	6
36	M4X40SP	Splitpin	1
37	M16X50G	Galv. Bolt	8
38	M16GFW3	Thick flat washer	8
39	M16NY	Nyloc nut	8
40	M16X65G	Galv. Bolt	6
41	M4X50SP	Splitpin	1
42	AFTB6105FF2	PTO 1m c/w Friction clutch	1
43	M110/06/030.4	Angle hitch bracket	2
44	M110/06/030.5	Curved hitch bracket	2
45	MU1529	Chain guard	2

ROVIC MULCHER

1.1M ROTOR COMPLETE



ROVIC MULCHER

1.1M ROTOR COMPLETE

For Long wet cover crop, use the following blade combination

ITEM NO.	PART NUMBER	DESCRIPTION	QTY.
1	M180-06-00	Short hub	1
2	M130-07-00	Cutter disc	1
3	J116F/110	Blade flat	4
4	J116/110	Blade General purpose	2
6	J116T/110	Blade Twist	2
7	M1538	Special bolt	8
8	M1526	Shakeproof nut	8
9	M16X60HT	High tensile bolt	4
10	M16GFW	Galv. Flat washer	4
11	M16NY	Nyloc nut	4

For Grasses and cover crop, use the following blade combination

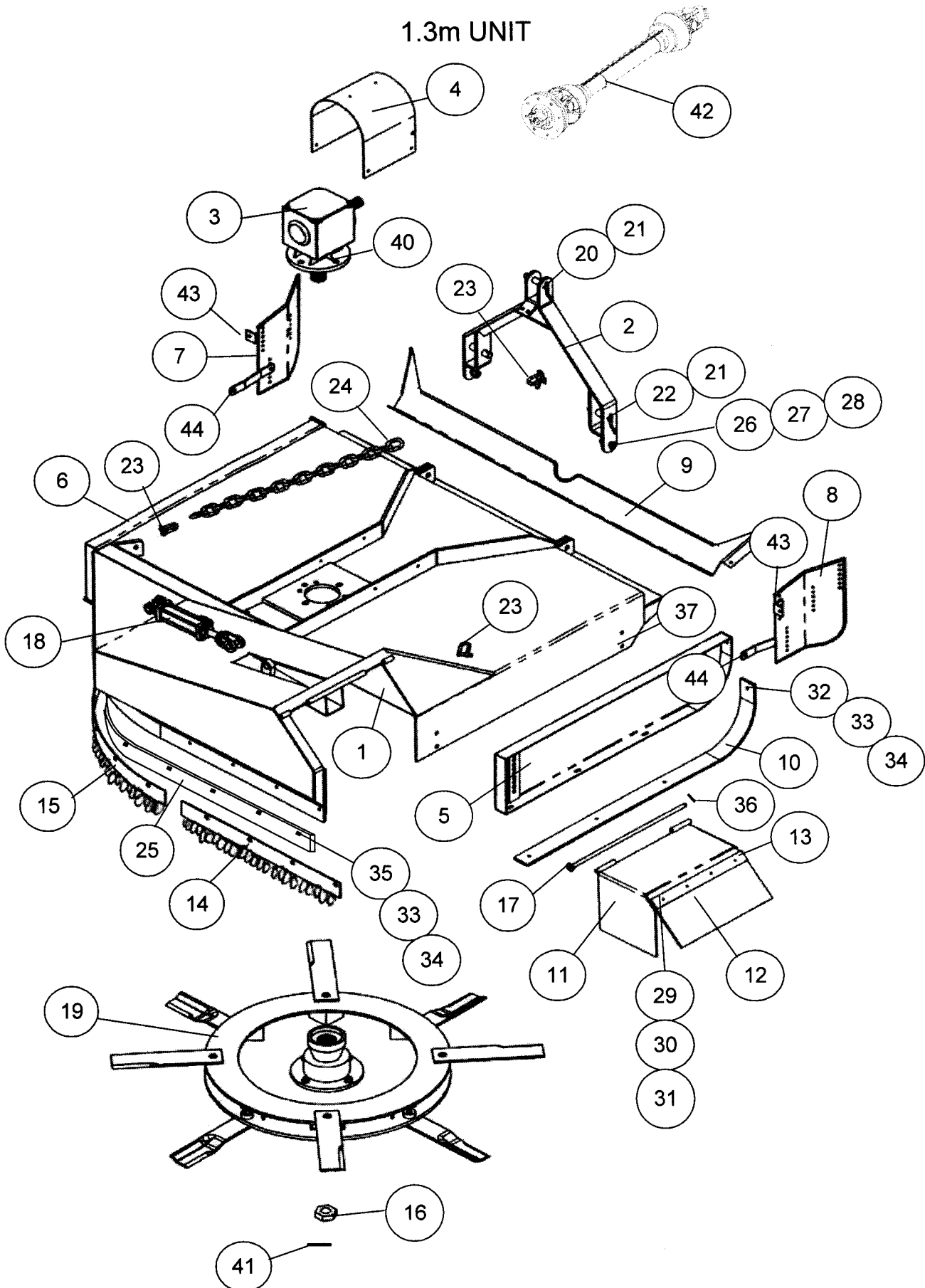
3	J116F/110	Blade flat	4
4	J116/110	Blade General purpose	4

For Prunings up to 75mm, use the following blade combination

3	J116F/110	Blade flat	4
4	J116/110	Blade General purpose	4
5	J1520/110	Blade pruning	2

ROVIC MULCHER

1.3m UNIT



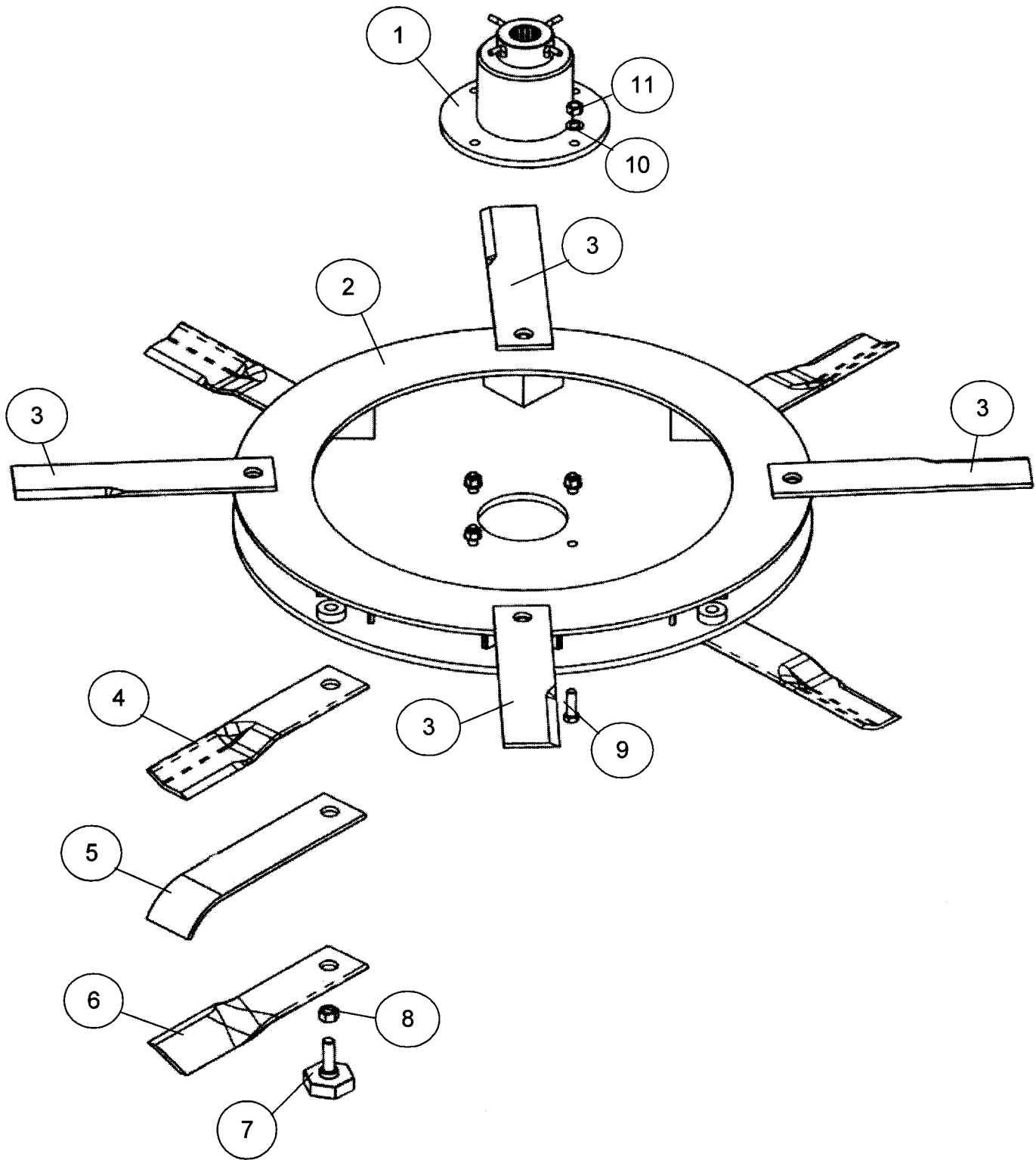
ROVIC MULCHER

1.3m UNIT

ITEM NO.	PART NUMBER	DESCRIPTION	QTY.
1	M130-01-00	Main body	1
2	B150-03-00A	Headstock	1
3	AFTGBG81.93	Gearbox 81kW 6-Spline	1
4	M130-02-01	Clutch cover	1
5	M130-04-00	Skid body - RH	1
6	M130-04-00LH	Skid body - LH	1
7	M130/06/030.7	Apron side - LH	1
8	M130/06/030.6	Apron side - RH	1
9	M130/05/10	Apron	1
10	MU130-0027	Skid	2
11	M130-05-00A	Deflector welded assy	1
12	M130-05-07	Conveyor belting	1
13	M130-05-03	Rubber flap holder	1
14	M130/05/13	Straight chain panel	1
15	M130/05/14	Curved chain panel	1
16	M11-008	1" - 14 Flanged hex. Nut	1
17	M130-05-06	Deflector pin	1
18	MU1540	Hydraulic ram & hose kit	1
19	CUTTER DISC	See P. 12 for detail	1
20	B150-03-06	Top mntg pin	1
21	S40LP	Lynch pin	3
22	B150-03-07	Lower mntg pin	2
23	S1/2DS	D - shackle	4
24	M130/05/09	Chain 19 links	2
25	M130/01/06	Rear lower stiffener bar	1
26	M20X65G	Galv. Bolt	2
27	M20GFW	Galv. Flat washer	6
28	M20NY	Nyloc nut	6
29	M8X35G	Galv. Bolt	4
30	M8GFW	Galv. Flat washer	4
31	M8NY	Nyloc nut	4
32	M12X40GP	Countersunk plough bolt	6
33	M12GSW	Galv. Spring washer	12
34	M12GN	Galv. Nut	12
35	M12X40CHB	Galv. Cub head bolt	6
36	M4X40SP	Splitpin	1
37	M16X50G	Galv. Bolt	8
38	M16GFW3	Thick flat washer	8
39	M16NY	Nyloc nut	8
40	M16X65G	Galv. Bolt	6
41	M4X50SP	Splitpin	1
42	AFTB6105FF2	PTO 1m c/w Friction clutch	1
43	M130/06/030.4	Angle hitch bracket	2
44	M130/06/030.5	Curved hitch bracket	2
45	MU1529	Chain guard	2

ROVIC MULCHER

1.3M ROTOR COMPLETE



ROVIC MULCHER

1.3M ROTOR COMPLETE

For Long wet cover crop, use the following blade combination

ITEM NO.	PART NUMBER	DESCRIPTION	QTY.
1	M180-06-00	Short hub	1
2	M130-07-00	Cutter disc	1
3	J116F	Blade flat	4
4	J116	Blade General purpose	2
6	J116T	Blade Twist	2
7	M1538	Special bolt	8
8	M1526	Shakeproof nut	8
9	M16X60HT	High tensile bolt	4
10	M16GFW	Galv. Flat washer	4
11	M16NY	Nyloc nut	4

For Grasses and cover crop, use the following blade combination

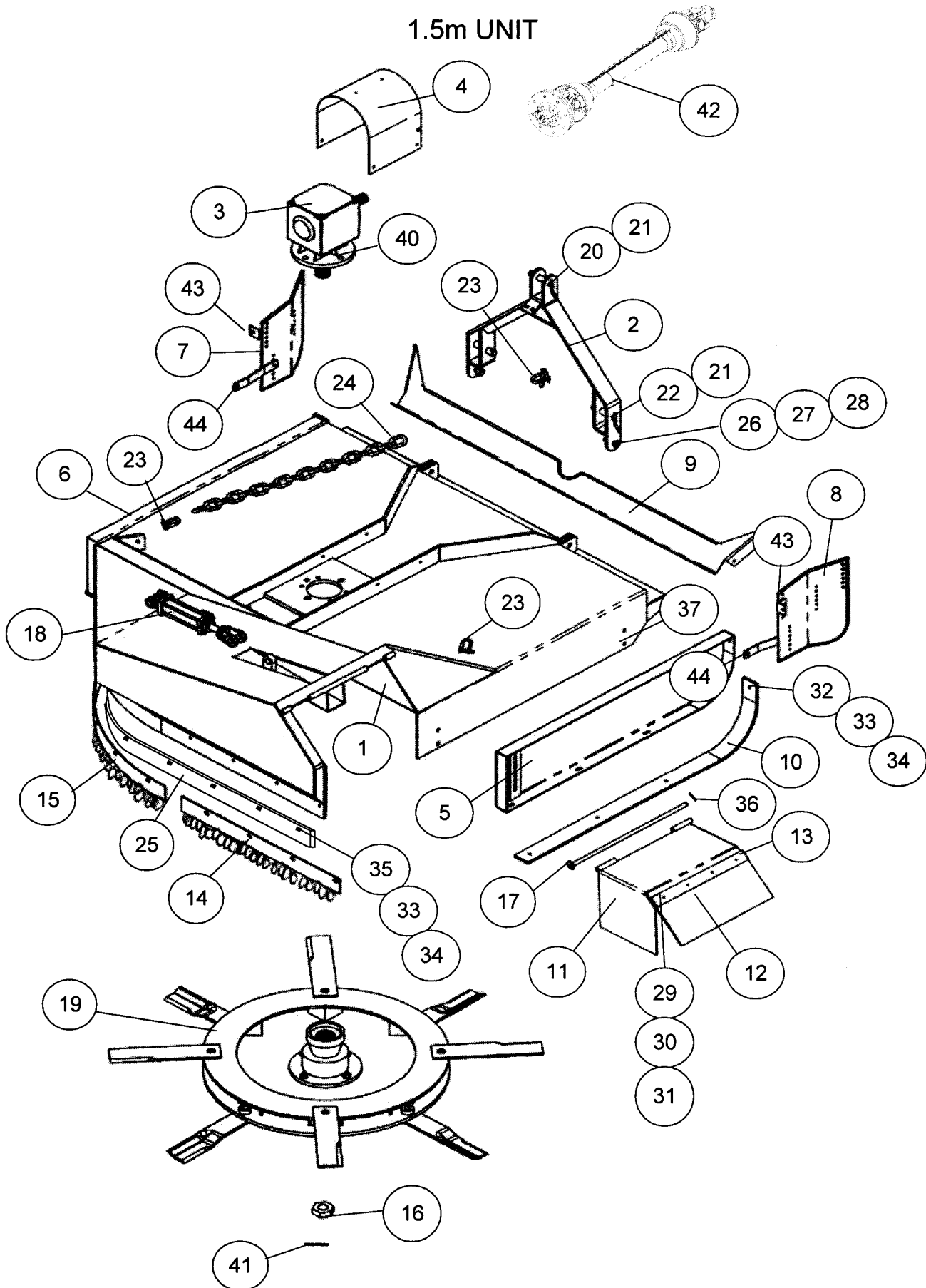
3	J116F	Blade flat	4
4	J116	Blade General purpose	4

For Prunings up to 75mm, use the following blade combination

3	J116F	Blade flat	4
4	J116	Blade General purpose	4
5	J1520	Blade pruning	2

ROVIC MULCHER

1.5m UNIT



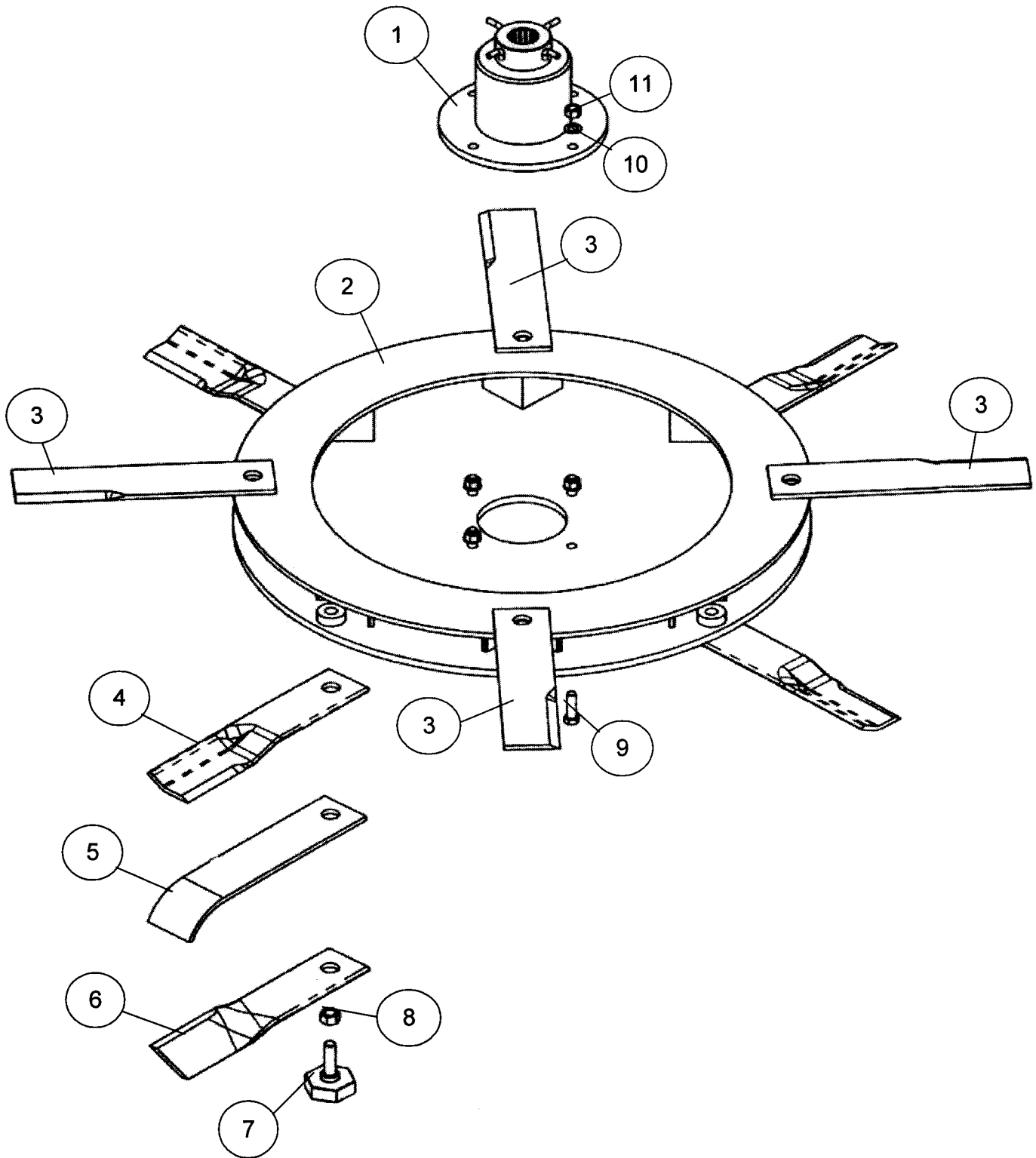
ROVIC MULCHER

1.5m UNIT

ITEM NO.	PART NUMBER	DESCRIPTION	QTY.
1	M150-01-00	Main body	1
2	B150-03-00A	Headstock	1
3	AFTGBG81.93	Gearbox 81kW 6-Spline	1
4	M150-02-01	Clutch cover	1
5	M150-04-00	Skid body - RH	1
6	M150-04-00LH	Skid body - LH	1
7	M150/06/030.7	Apron side - LH	1
8	M150/06/030.6	Apron side - RH	1
9	M150/05/10	Apron	1
10	MU150-0027	Skid	2
11	M150-05-00A	Deflector welded assy	1
12	M150-05-07	Conveyor belting	1
13	M150-05-03	Rubber flap holder	1
14	M150/05/13	Straight chain panel	1
15	M150/05/14	Curved chain panel	1
16	M11-008	1" - 14 Flanged hex. Nut	1
17	M150-05-06	Deflector pin	1
18	MU1540	Hydraulic ram & hose kit	1
19	CUTTER DISC	See P. 16 for detail	1
20	B150-03-06	Top mntg pin	1
21	S40LP	Lynch pin	3
22	B150-03-07	Lower mntg pin	2
23	S1/2DS	D - shackle	4
24	M150/05/09	Chain 23 links	2
25	M10/01/06	Rear lower stiffener bar	1
26	M20X65G	Galv. Bolt	2
27	M20GFW	Galv. Flat washer	6
28	M20NY	Nyloc nut	6
29	M8X35G	Galv. Bolt	4
30	M8GFW	Galv. Flat washer	4
31	M8NY	Nyloc nut	4
32	M12X40GP	Countersunk plough bolt	6
33	M12GSW	Galv. Spring washer	12
34	M12GN	Galv. Nut	12
35	M12X40CHB	Galv. Cub head bolt	6
36	M4X40SP	Splitpin	1
37	M16X50G	Galv. Bolt	8
38	M16GFW3	Thick flat washer	8
39	M16NY	Nyloc nut	8
40	M16X65G	Galv. Bolt	4
41	M4X50SP	Splitpin	1
42	AFTB6105FF2	PTO 1m c/w Friction clutch	1
43	M150/06/030.4	Angle hitch bracket	2
44	M150/06/030.5	Curved hitch bracket	2
45	MU1530	Chain guard	2

ROVIC MULCHER

1.5M ROTOR COMPLETE



ROVIC MULCHER

1.5M ROTOR COMPLETE

For Long wet cover crop, use the following blade combination

ITEM NO.	PART NUMBER	DESCRIPTION	QTY.
1	M180-06-00	Short hub	1
2	M150-07-00	Cutter disc	1
3	J116F	Blade flat	4
4	J116	Blade General purpose	2
6	J116T	Blade Twist	2
7	M1538	Special bolt	8
8	M1526	Shakeproof nut	8
9	M16X60HT	High tensile bolt	4
10	M16GFW	Galv. Flat washer	4
11	M16NY	Nyloc nut	4

For Grasses and cover crop, use the following blade combination

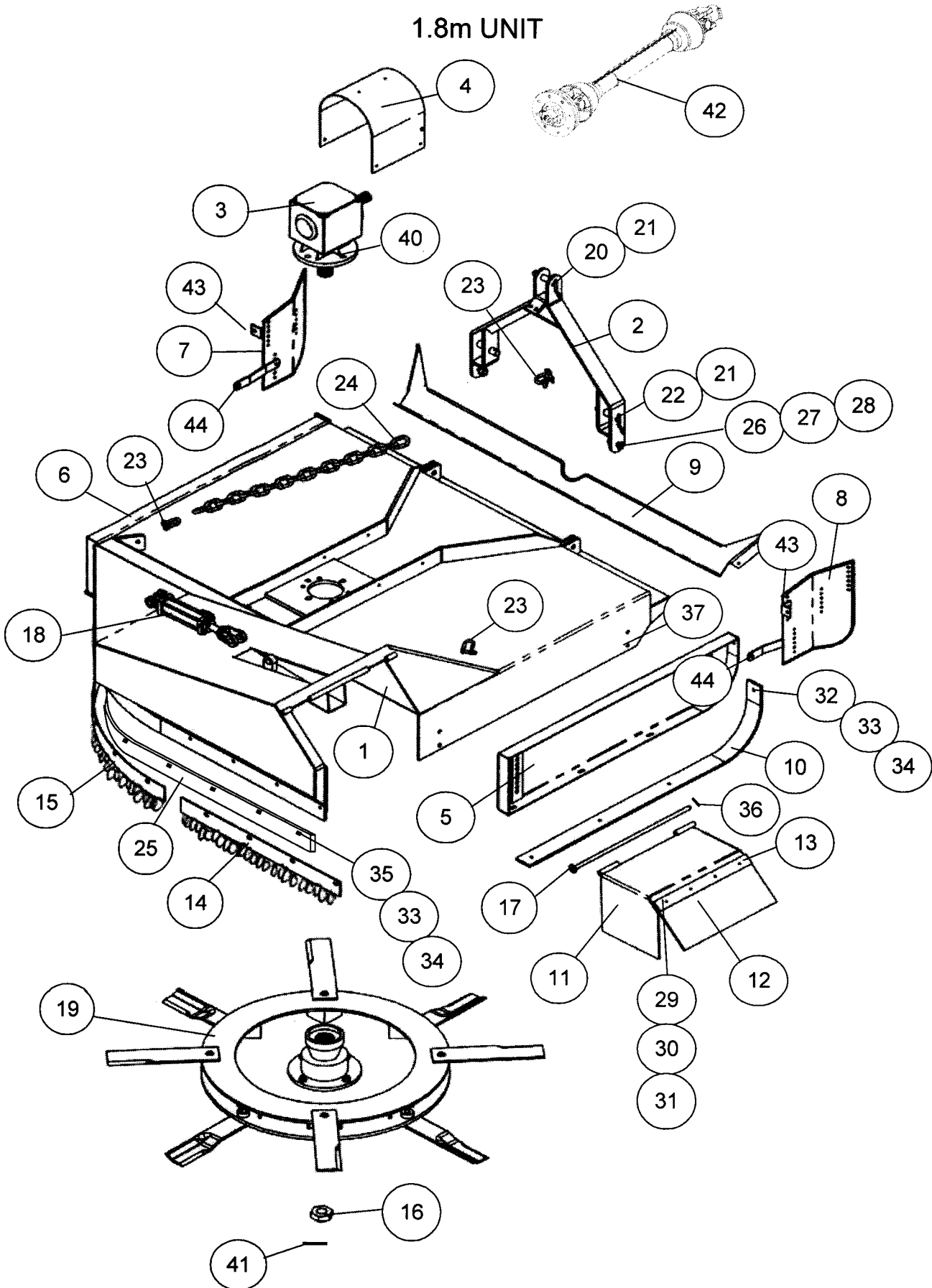
3	J116F	Blade flat	4
4	J116	Blade General purpose	4

For Prunings up to 75mm, use the following blade combination

3	J116F	Blade flat	4
4	J116	Blade General purpose	4
5	J1520	Blade pruning	2

ROVIC MULCHER

1.8m UNIT



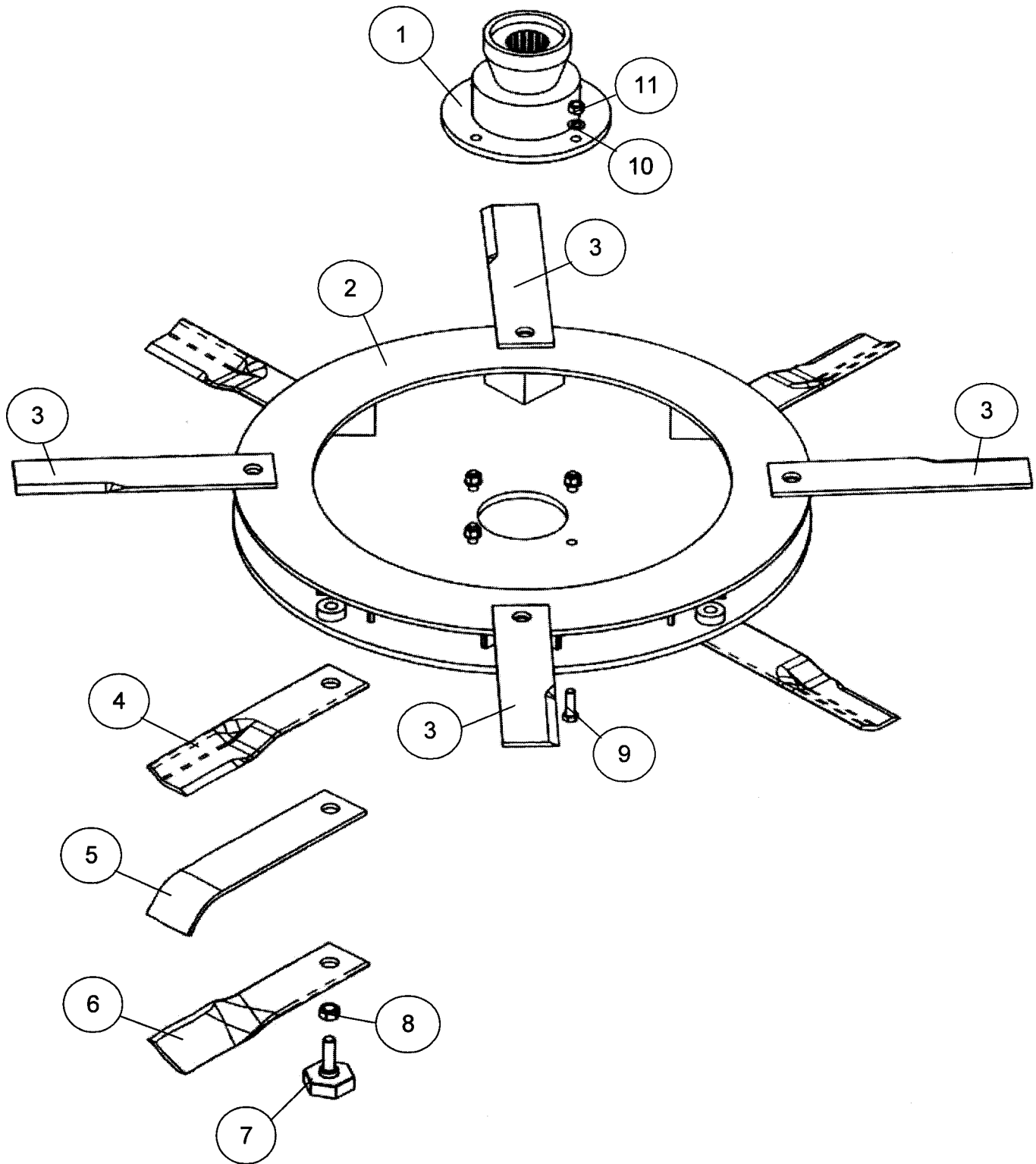
ROVIC MULCHER

1.8m UNIT

ITEM NO.	PART NUMBER	DESCRIPTION	QTY.
1	M180-01-00	Main body	1
2	B150-03-00A	Headstock	1
3	AFTGBG 1301.146	Gearbox 130kW 21-Spline	1
4	M180-02-01	Clutch cover	1
5	M180-04-00	Skid body - RH	1
6	M180-04-00LH	Skid body - LH	1
7	M180/06/030.7	Apron side - LH	1
8	M180/06/030.6	Apron side - RH	1
9	M180/05/10	Apron	1
10	MU180-0027	Skid	2
11	M180-05-00A	Deflector welded assy	1
12	M180-05-07	Conveyor belting	1
13	M180-05-03	Rubber flap holder	1
14	M180/05/13	Straight chain panel	1
15	M180/05/14	Curved chain panel	1
16	M11-008	1" - 14 Flanged hex. Nut	1
17	M180-05-06	Deflector pin	1
18	MU1540	Hydraulic ram & hose kit	1
19	CUTTER DISC	See P. 20 for detail	1
20	B150-03-06	Top mntg pin	1
21	S40LP	Lynch pin	3
22	B150-03-07	Lower mntg pin	2
23	S1/2DS	D - shackle	4
24	M180/05/09	Chain 28 links	2
25	M180/01/06	Rear lower stiffener bar	1
26	M20X65G	Galv. Bolt	2
27	M20GFW	Galv. Flat washer	6
28	M20NY	Nyloc nut	6
29	M8X35G	Galv. Bolt	4
30	M8GFW	Galv. Flat washer	4
31	M8NY	Nyloc nut	4
32	M12X40GP	Countersunk plough bolt	6
33	M12GSW	Galv. Spring washer	12
34	M12GN	Galv. Nut	12
35	M12X40CHB	Galv. Cub head bolt	6
36	M4X40SP	Splitpin	1
37	M16X50G	Galv. Bolt	8
38	M16GFW3	Thick flat washer	8
39	M16NY	Nyloc nut	8
40	M16X65G	Galv. Bolt	6
41	M5X63SP	Splitpin	1
42	AFTB6125FF4	PTO 1.2m c/w friction clutch	1
43	M180/06/030.4	Angle hitch bracket	2
44	M180/06/030.5	Curved hitch bracket	2
45	MU1531	Chain guard	2

ROVIC MULCHER

1.8M ROTOR COMPLETE



ROVIC MULCHER

1.8M ROTOR COMPLETE

For Long wet cover crop, use the following blade combination

ITEM NO.	PART NUMBER	DESCRIPTION	QTY.
1	M100-06-00	Short hub	1
2	M180-07-00	Cutter disc	1
3	J116F	Blade flat	4
4	J116	Blade General purpose	2
6	J116T	Blade Twist	2
7	M1538	Special bolt	8
8	M1526	Shakeproof nut	8
9	M16X60HT	High tensile bolt	4
10	M16GFW	Galv. Flat washer	4
11	M16NY	Nyloc nut	4

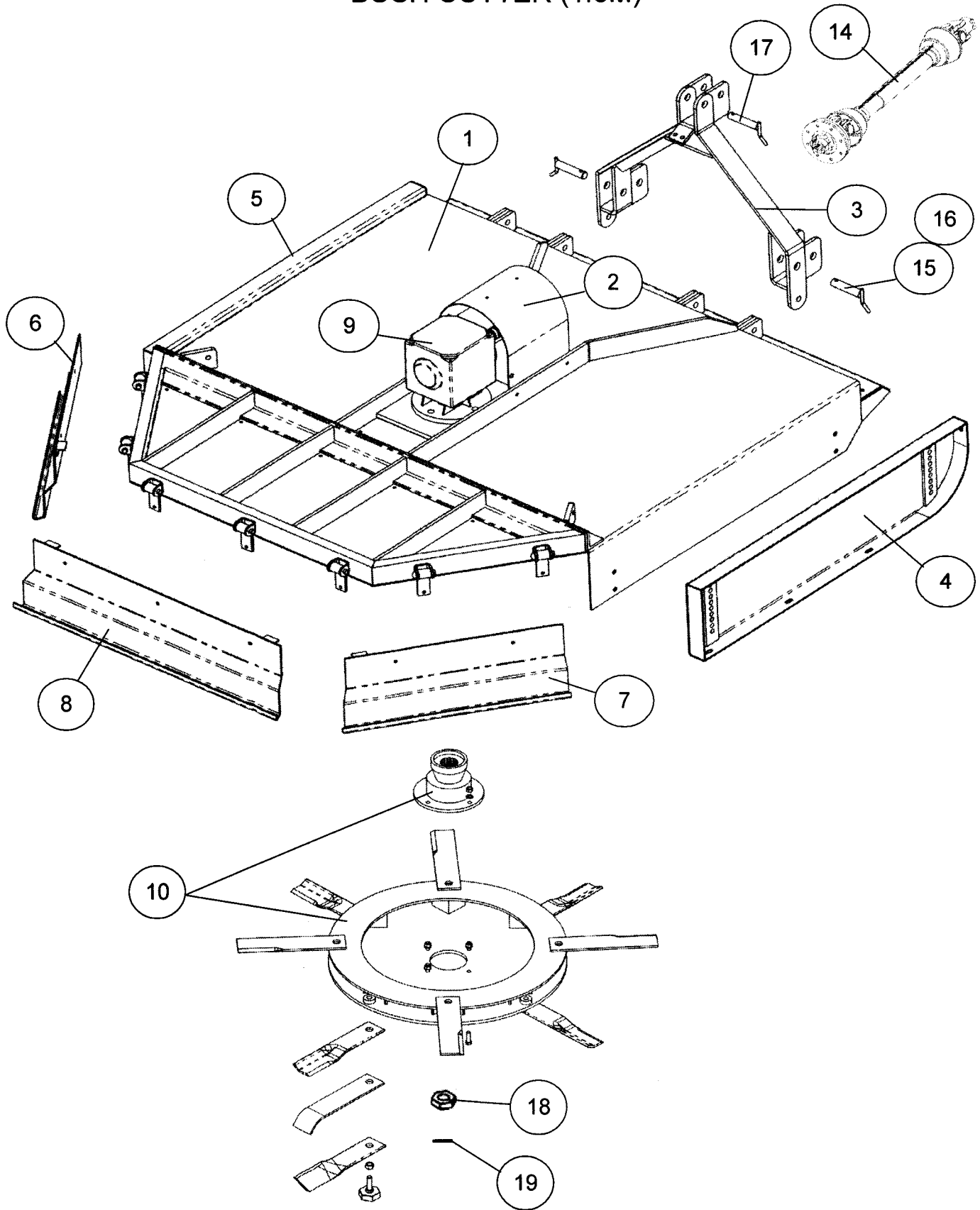
For Grasses and cover crop, use the following blade combination

3	J116F	Blade flat	4
4	J116	Blade General purpose	4

For Prunings up to 75mm, use the following blade combination

3	J116F	Blade flat	4
4	J116	Blade General purpose	4
5	J1520	Blade pruning	2

ROVIC MULCHER
BUSH CUTTER (1.8M)

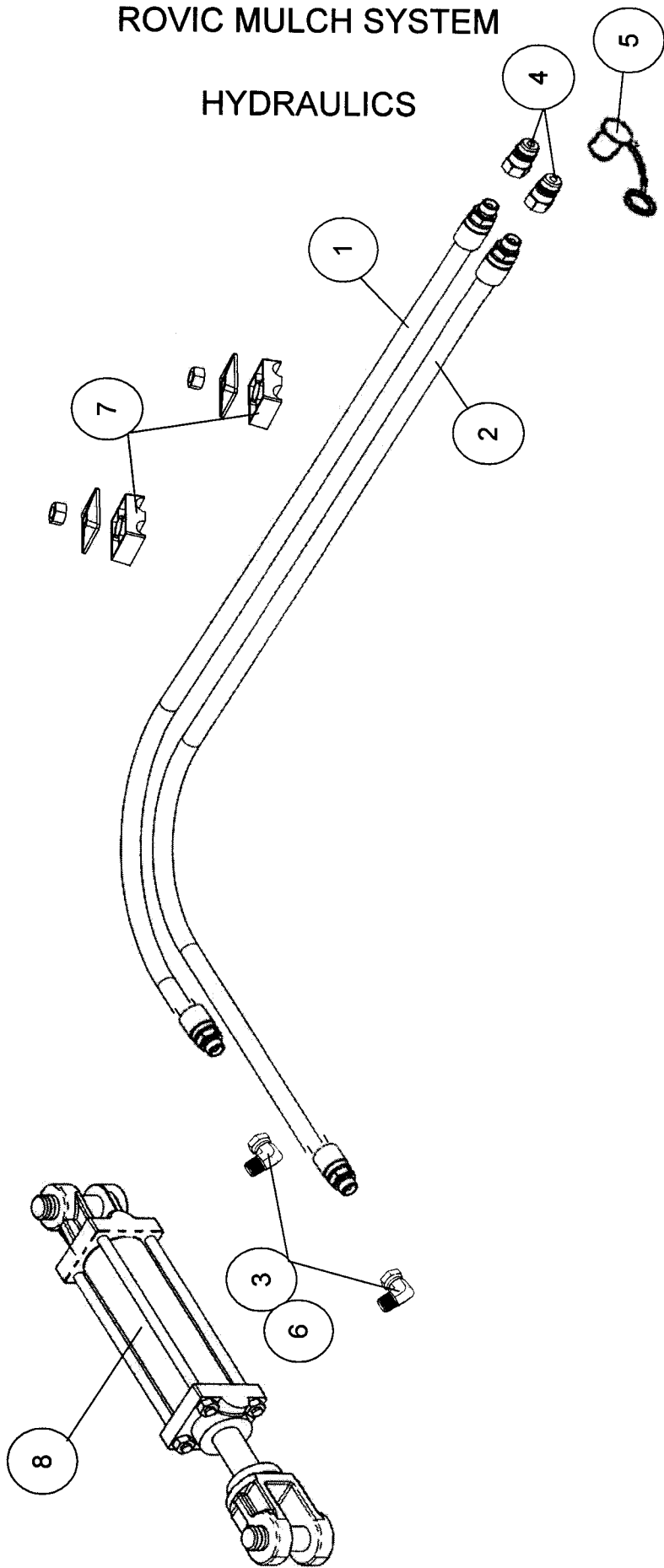


ROVIC MULCHER
BUSH CUTTER (1.8M)

ITEM NO.	PART NUMBER	DESCRIPTION	QTY.
1	M180-08-00	Main deck assy.	1
2	M180-02-01	Clutch cover	1
3	M180-08-59	Headstock	1
4	M180-04-00	RH. Skid	1
5	M180-04-00.1	LH. Skid	1
6	MCR0014	Side flap welded assy - LH	1
7	MCR0015	Side flap welded assy - RH	1
8	MCR0016	Back flap welded assy	1
9	AFTGBG 1301.146	Gearbox 130kW 21-Spline	1
10	CUTTER DISC	See P. 22 for detail	1
11	M180/05/09	Chain 28 links	2
12	S1/2DS	D - shackle	4
13	MU180-0027	Skid	2
14	AFTB6125FF4	PTO 1.2m c/w friction clutch	1
15	S40LP	Lynch pin	3
16	B150-03-07	Lower mntg pin	2
17	B150-03-06	Top mntg pin	1
18	M11-008	1" - 14 Flanged hex. Nut	1
19	M5X63SP	Splitpin	1
20	MU1531	Chain guard	2

ROVIC MULCH SYSTEM

HYDRAULICS



ROVIC MULCH SYSTEM

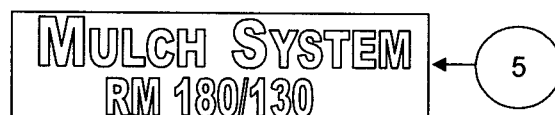
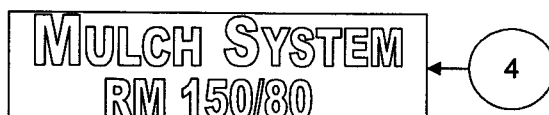
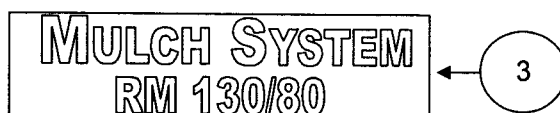
HYDRAULICS

MU1540	Hydraulic ram & hose kit
--------	--------------------------

ITEM NO.	PART NUMBER	DESCRIPTION	QTY.
1	ROV-M-HS-2.8	Hidraulic hose	1
2	ROV-M-HS-3.0	Hidraulic hose	1
3	8490806	Elbow JIC / NPT	2
4	1877	Coupler male 1 / 2 pin type	2
5	1858	Dust cap 1 / 2 female	2
6	11603	Bonded seal 1 / 2	1
7	Clamp 2222	Clamp 22mm double	2
8	DB206	Cylinder 2 x 6 x 1 1/16	1

ROVIC MULCH SYSTEM

STICKERS



ITEM NO.	PART NUMBER	DESCRIPTION	QTY
1	R048	Rovic & Leers	1
2	M110/05/08	Mulch System RM110 / 80	1
3	M130/05/08	Mulch System RM130 / 80	1
4	M150/05/08	Mulch System RM150 / 80	1
5	M180/05/08	Mulch System RM180 / 130	1
6	MU1520	540 P.T.O. sticker	1
7	MU1521	P.T.O. Shaft sticker	1
8	MU1522	Gearbox oil level sticker	1
9	MU1523	Flying objects sticker	1
10	MU1524	General warning sticker	1

ROVIC MULCH SYSTEM

STICKERS

10

9



8



7



6

