

JUMBO PULL TYPE V RAKES

V8-V10 2GW

PARTS LIST



When ordering spare parts or asking for technical information on your rake, please be sure to always mention the implement's serial numbers. This is very important when ordering spare parts. Always use only original Tonutti spare parts so as not to incur in any problems regarding the warranty policy for this implement.

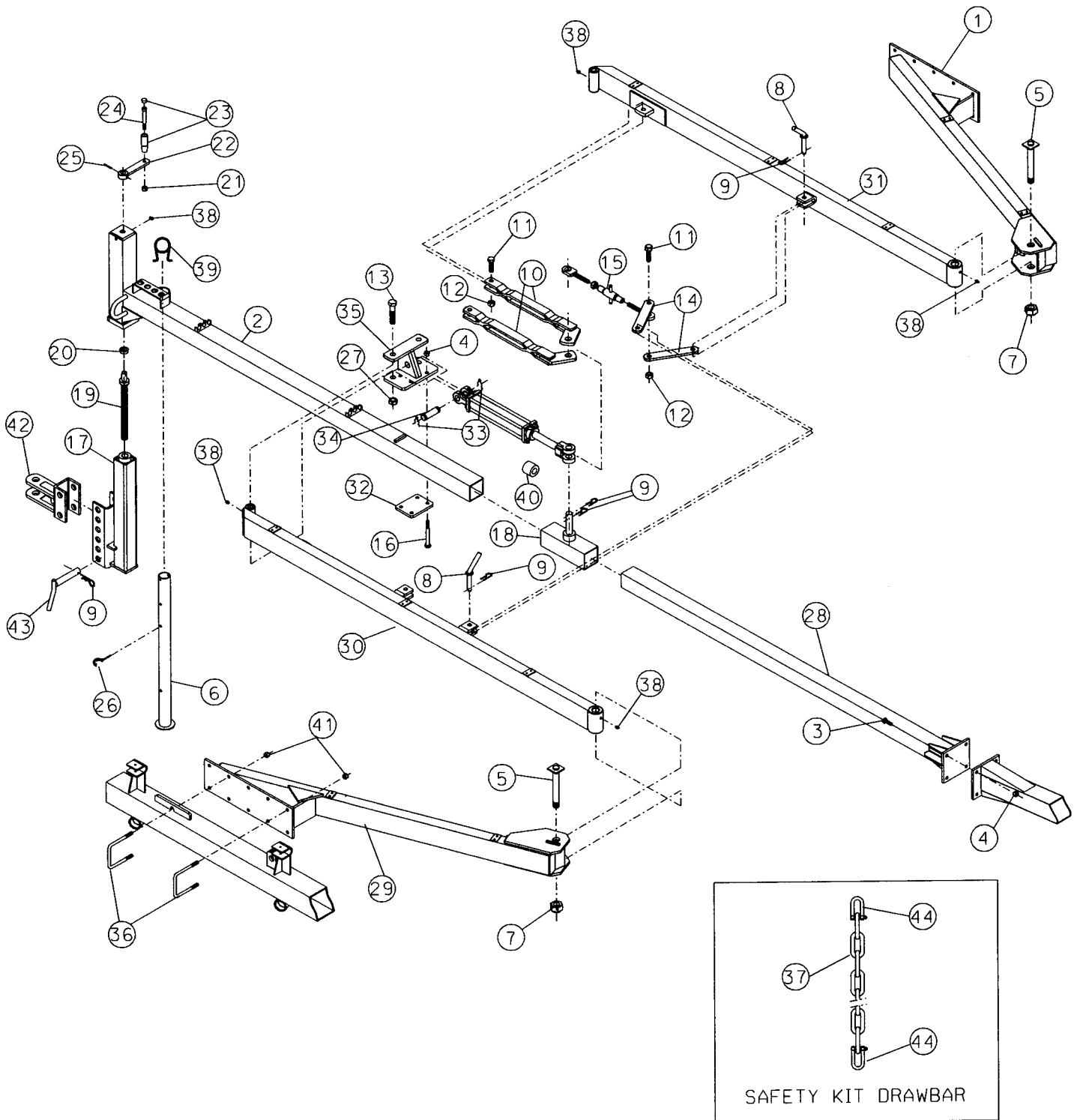
Head Office	Factories	U.S. Warehouse	RUSSIAN Warehouse
Via Udine 16 33047 Remanzacco (Italy) Phone ++39-0432-667015 Fax ++39-0432-668282	Remanzacco (UD) Rivignano (UD) Vezzano (RE)	S&T Manufacturing Co. 1909 Thomas Road Memphis TN.38134 Phone 901-385-8841 Fax 901-385-8288	G.M.T. Limited 3 Tekhnicheskaja Street Perm, 614070 Phone 007-3422-90-90-96 Fax 007-3422-90-90-96

e-mail: tonutti@tonutti.it

web site: www.tonutti.it



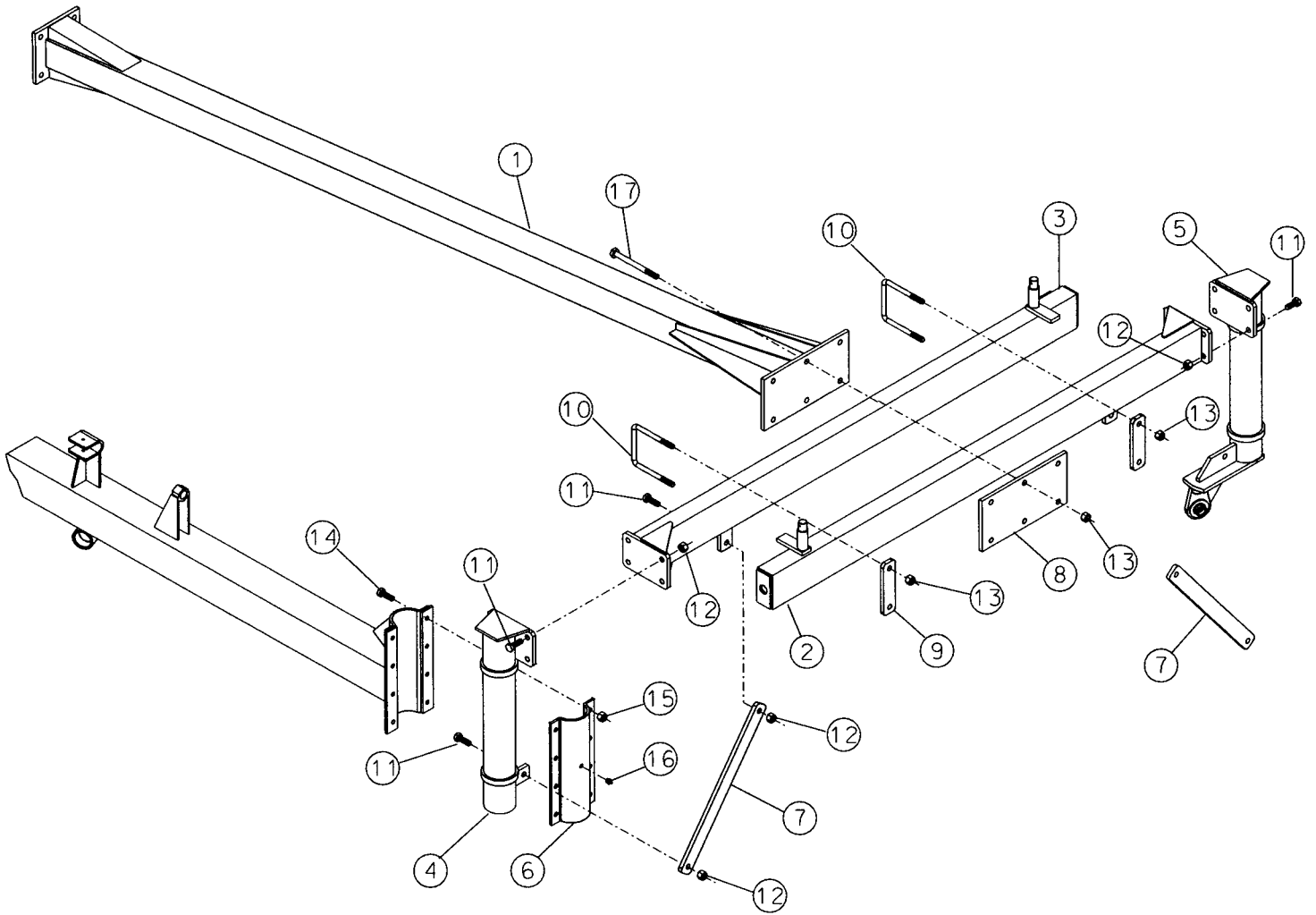
RAKE DRAWBAR AND WIDTH ADJ ARM MECHANISM V8-V10 2GW



RAKE DRAWBAR AND WIDTH ADJ ARM MECHANISM V8-V10 2GW

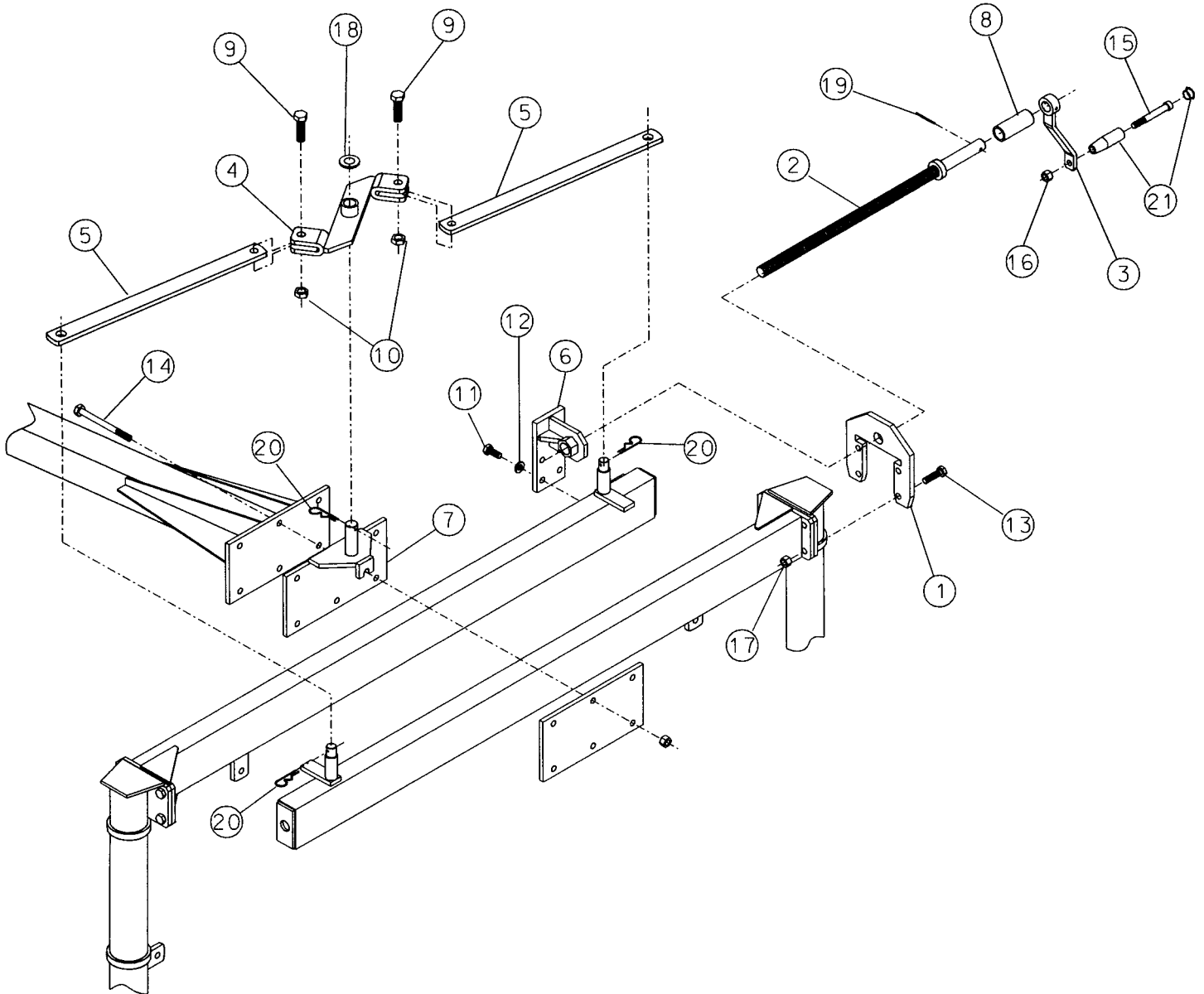
N#	CODICE#	DESCRIPTION	Q.TY
1	P50CR019	ARM R.H. ATTACHMENT OPENING REINF.	01
2	P50FR009	DRAWBAR (SLIDING)	01
3	V10AZ101	HEX.CAP SCREW TE M12x35 UNI5739 ZN	04
4	V20CZ003	NUT METABLOCK M12 DIN 980 ZINCED	08
5	C70BZ017	PIVOT FOR ARM ZN	02
6	P50ZR015	STAND FOR DRAWBAR V-2GW	01
7	V20BZ021	SELF LOCKING NUT NY.M24x2 UNI7474 Z	02
8	C70AZ001	LOCK PIN D=16 l=68 ZINCED	02
9	V40CZ008	SPLIT PIN R d=4 ZINCED	04
10	P50MR001	BLADE	02
11	V10AZ057	SCREW TE M 16x55 UNI 5739 ZINCED	03
12	V20CZ005	NUT METABLOCK M16 DIN 980 ZINCED	03
13	V10AZ081	SCREW TE M20x150 UNI 5737 ZINCED	02
14	P70BR118	STRAP	02
15	C30AZ001	TURNBUCKLE l=240 ZN V-2GW	01
16	V10AZ044	HEX.CAP SCREW TE M12x120 UNI5737 ZN	04
17	P50RZ011	HITCH MOD.99 V-2GW	01
18	P50RZ005	SLIDER OPENING ZN V-2GW	01
19	P50Z0034	REG.SCREW DB.SLIDING V-2GW	01
20	V60C0001	BUSHING (CUSC.) 51104	01
21	V20AZ005	HEXAGONAL NUT 6S M12 UNI 5589 ZINC	01
22	P50QZ005	STRAP (DRAWBAR HANDLE)	01
23	V80A0001	KNOB 1033/FP D=12 W/COVER	01
24	V10BZ003	SCREW TCEI M12x90 UNI 5931 ZINCED	01
25	V40B0004	ROLL PIN D= 6x40 UNI 6873	01
26	V45BZ002	PIN/LOCK D=10 l=60	01
27	V20BZ019	SELF LOCKING NUT M20 UNI7474 ZN	02
28	P50FR022	DRAWBAR FRONT	01
29	P50CR020	ATTACHMENT OPENING ARM L.H.	01
30	P50CR021	PANTO ARM L.H. REINFORCED	01
31	P50CR022	PANTO ARM R.H. REINFORCED	01
32	P70AZ049	SUPPORT PLATE ARMS ZN V10	01
33	V40DZ001	CIRCLIP	02
34	C70BZ013	PIN (CYLINDER)	01
35	P50HR015	PLATE ATTACH.OPEN ARMS V10	01
36	V70AZ002	U BOLT M12x102x125 ZINCED	10
37	C45AZ007	CHAIN 57x33x6 l=720 ZINCED	02
38	V99AZ001	GREASER 10 MB UNI 7663-A	05
39	C40AZ029	RING GUIDE HYD.HOSE ZN V-2GW	01
40	P50ZZ045	SPACER FOR CYLINDER ZINCED V8-2GW	01
41	V20CZ003	NUT METABLOCK M12 DIN 980 ZINCED	20
42	P50HZ019	BRACKET ADJUSTMENT TRACTOR	01
43	C70BZ034	PIN	01
44	V50AZ002	U SHACKLE D=8 ROBUR ZINCED	03

ATTACHMENT FRAME AND REAR DRAWBAR V8-V10 2GW



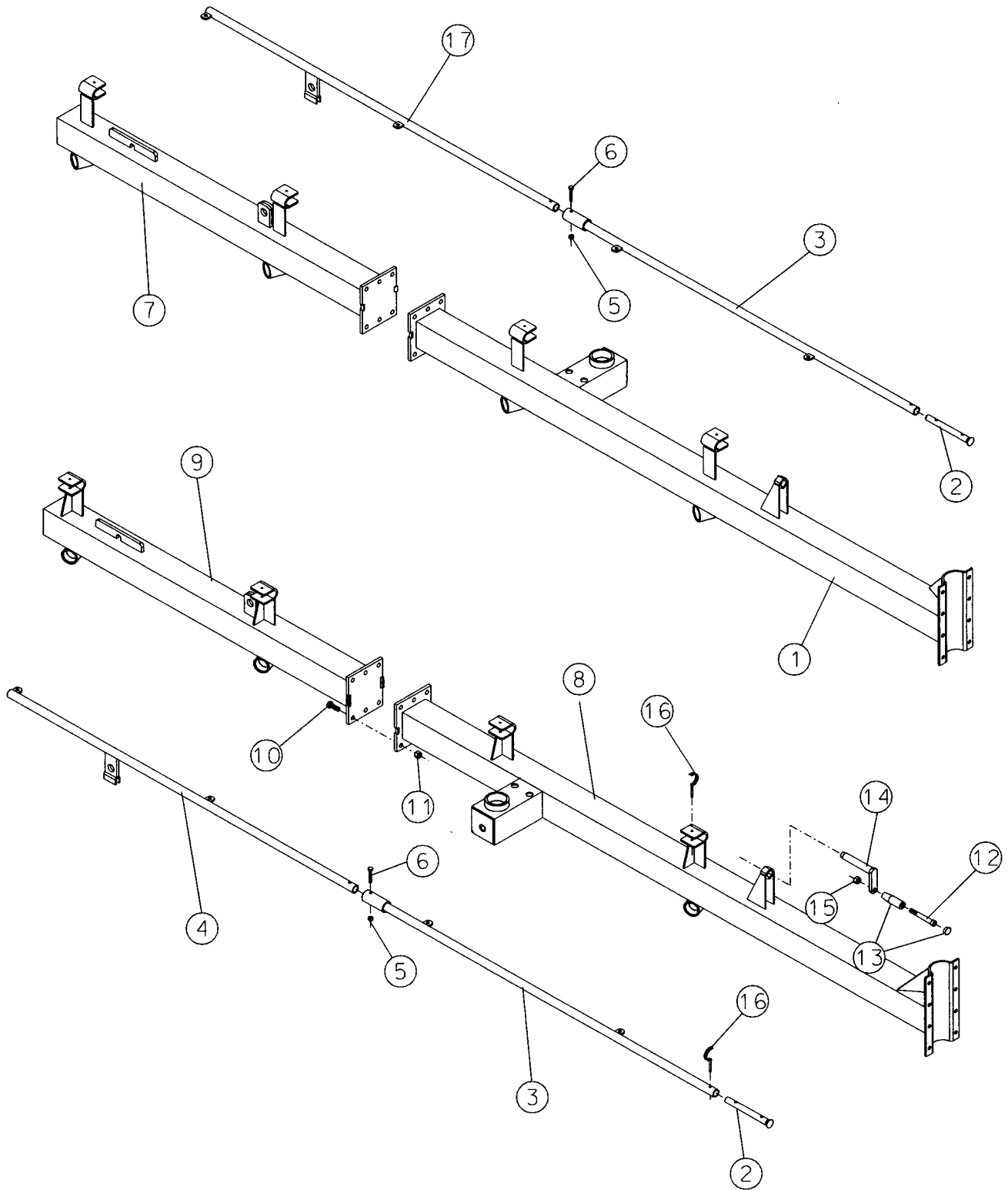
ATTACHMENT FRAME AND REAR DRAWBAR V8-V10 2GW

N#	CODICE#	DESCRIPTION	Q.tà
1	P50FR012	DRAWBAR REAR L=2830 V-2GW	01
2	P50AR099	REAR FRAME R.H. WITH PIVOT WINDROW	01
3	P50AR100	REAR FRAME L.H. WITH PIVOT WINDROW	01
4	P50ZR012	SUPPORT (WHL LH-2GW)	01
5	P50ZR009	SUPPORT (WHL RH-2GW)	01
6	P50HZ011	CAP/AXLE WITH GREASER	02
7	P50MZ002	BLADE REINFORCEMENT FRAME T/V ZINC	02
8	P70AZ034	SUPPORT PLATE ZN W/6 HOLES	01
9	P50MZ004	BLADE FOR BRACKET ZINCED T/V	02
10	V70AZ002	U BOLT M12x102x125 ZINCED	02
11	V10AZ101	HEX.CAP SCREW TE M12x35 UNI5739 ZN	12
12	V20CZ003	NUT METABLOCK M12 DIN 980 ZINCED	12
13	V20AZ004	HEXAGONAL NUT 6S M12 UNI 5588 ZN.	10
14	V10AZ016	SCREW TE M10x30 UNI 5739 ZINCED	16
15	V20CZ002	NUT METABLOCK M10 DIN 980 ZINCED	16
16	V99AZ001	GREASER 10 MB UNI 7663-A	02
17	V10AZ046	HEX.CAP SCREW TE M12x140 UNI 5737 Z	06

CRANK ADJUSTABLE WINDROW WIDTH V8-V10 2GW


CRANK ADJUSTABLE WINDROW WIDTH V8-V10 2GW

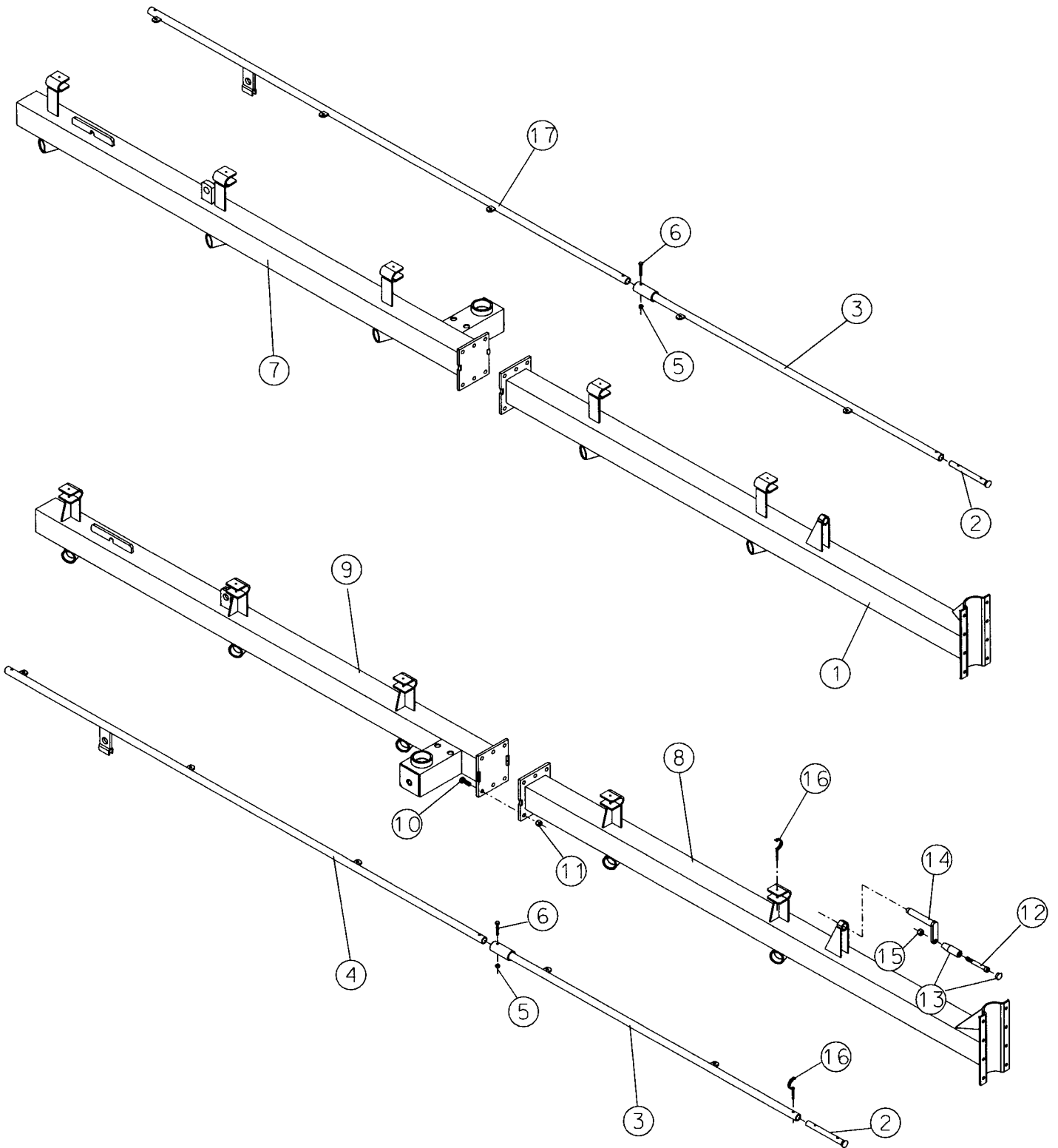
N#	CODICE#	DESCRIPTION	Q.tà
1	P70AZ061	PLATE	01
2	P50ZZ047	SCREW (WINDROW ADJ)	01
3	P50QZ010	LEVER (WINDROW ADJ)	01
4	P50QZ009	LINK (REAR WINDROW ADJ)	01
5	P50QZ008	STRAP (REAR WINDROW ADJ)	02
6	P50DZ033	BRACKET	01
7	P50DZ016	SUPPORT (PIVOT PIN)	01
8	P50ZZ046	SPACER	01
9	V10AZ056	HEX.CAP SCREW TE M16x50 UNI5737 Z	02
10	V20BZ005	SELF LOCK. NUT NYLON M16 UNI7474 Z	02
11	V10AZ100	SCREW TE M12x30 UNI 5739 ZINCED	04
12	V30AZ005	WASHER M12 UNI 6591 ZINCED	04
13	V10AZ103	HEX.CAP SCREW TE M12x45 UNI5737 Z.	04
14	V10AZ125	SCREW TE M 12x150 UNI5739 ZN	06
15	V10BZ003	SCREW TCEI M12x90 UNI 5931 ZINCED	01
16	V20AZ005	HEXAGONAL NUT 6S M12 UNI 5589 ZINC	01
17	V20CZ003	NUT METABLOCK M12 DIN 980 ZINCED	04
18	V30AZ012	WASHER M24 UNI 6592 ZINCED	01
19	V40B0004	ROLL PIN D= 6x40 UNI 6873	01
20	V40CZ008	SPLIT PIN R d=4 ZINCED	03
21	V80A0001	KNOB 1033/FP D=12 W/COVER	01

SIDE FRAMES R.H & L.H. V8 2GW


SIDE FRAMES R.H & L.H. V8 2GW

N#	CODICE#	DESCRIPTION	Q.tà
1	P50AR082	FRAME REAR l=2322 R.H. V8-2GW	01
2	S20AZ002	PIVOT SAFETY FOR PARKING	02
3	P50GZ005	LIFT PIPE SHORT l=1530 ZINCED T/V	02
4	P50GZ004	LIFT PIPE L.H. l=1500 ZINCED T/V	01
5	V20BZ001	SELF LOCKING NUT M8 UNI 7474 ZINC	02
6	V10AZ011	SCREW TE M8x50 UNI 5737 ZINCED	02
7	P50AR021	FRAME (RH FRONT) MOD.98 L=1360 V8 2GW	01
8	P50AR083	FRAME REAR l=2322 L.H. V8-2GW	01
9	P50AR024	FRAME (LH FRONT) MOD.98 L=1360 V8 2GW	01
10	V10AZ101	HEX.CAP SCREW TE M12x35 UNI5739 ZN	12
11	V20CZ003	NUT METABLOCK M12 DIN 980 ZINCED	12
12	V10BZ003	SCREW TCEI M12x90 UNI 5931 ZINCED	02
13	V80A0001	KNOB 1033/FP D=12 W/COVER	02
14	P50QZ014	THREADED HANDLE ZN	02
15	V20AZ005	HEXAGONAL NUT 6S M12 UNI 5589 ZINC	02
16	V45BZ001	PIN/LOCK d=8 l=60	10
17	P50GZ003	LIFT PIPE R.H. l=1500 ZINCED T/V	01

SIDE FRAMES R.H & L.H. V10 2GW



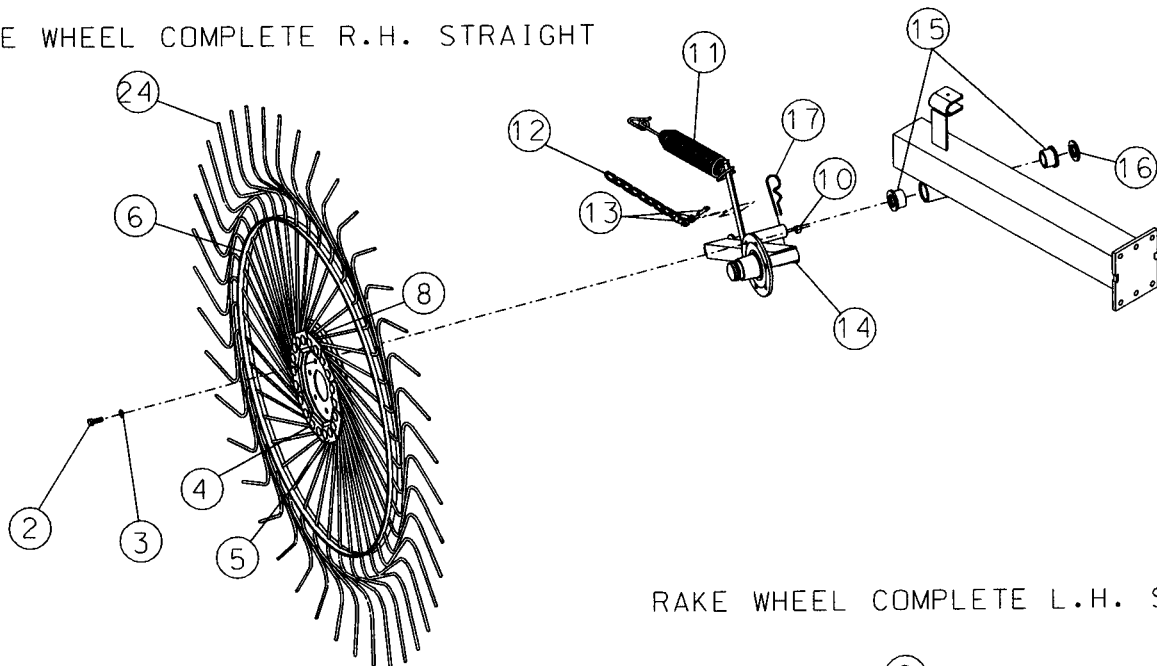
SIDE FRAMES R.H & L.H. V10 2GW

N#	CODICE#	DESCRIPTION	Q.tà
1	P50AR087	FRAME REAR l=2322 R.H. V10-2GW	01
2	S20AZ002	PIVOT SAFETY FOR PARKING	02
3	P50GZ005	LIFT PIPE SHORT l=1530 ZINCED T/V	02
4	P50GZ010	PIPE (LIFT LH)	01
5	V20BZ001	SELF LOCKING NUT M8 UNI 7474 ZINC	02
6	V10AZ011	SCREW TE M8x50 UNI 5737 ZINCED	02
7	P50AR026	FRAME (RH FRONT) MOD.98 L=2255 V10 2GW	01
8	P50AR086	FRAME REAR l=2322 L.H. V10-2GW	01
9	P50AR029	FRAME (LH FRONT) MOD.98 L=2255 V10 2GW	01
10	V10AZ101	HEX.CAP SCREW TE M12x35 UNI5739 ZN	12
11	V20CZ003	NUT METABLOCK M12 DIN 980 ZINCED	12
12	V10BZ003	SCREW TCEI M12x90 UNI 5931 ZINCED	02
13	V80A0001	KNOB 1033/FP D=12 W/COVER	02
14	P50QZ014	THREADED HANDLE ZN	02
15	V20AZ005	HEXAGONAL NUT 6S M12 UNI 5589 ZINC	02
16	V45BZ001	PIN/LOCK d=8 l=60	12
17	P50GZ009	LIFT TUBE (RH LIFT EXT)	01

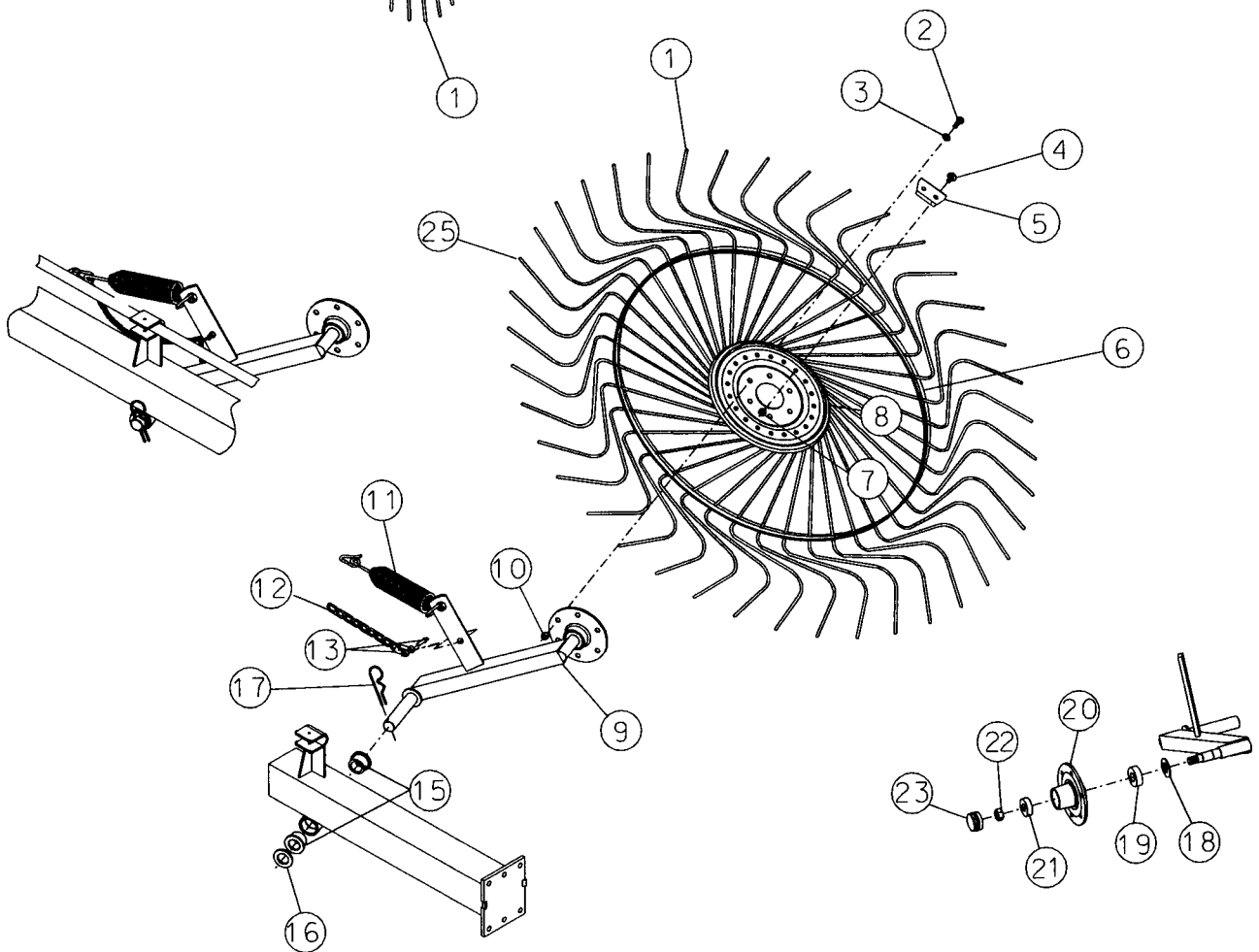


RIGHT & LEFT HAND FINGER WHEELS ASSEMBLY V8-V10 2GW

RAKE WHEEL COMPLETE R.H. STRAIGHT

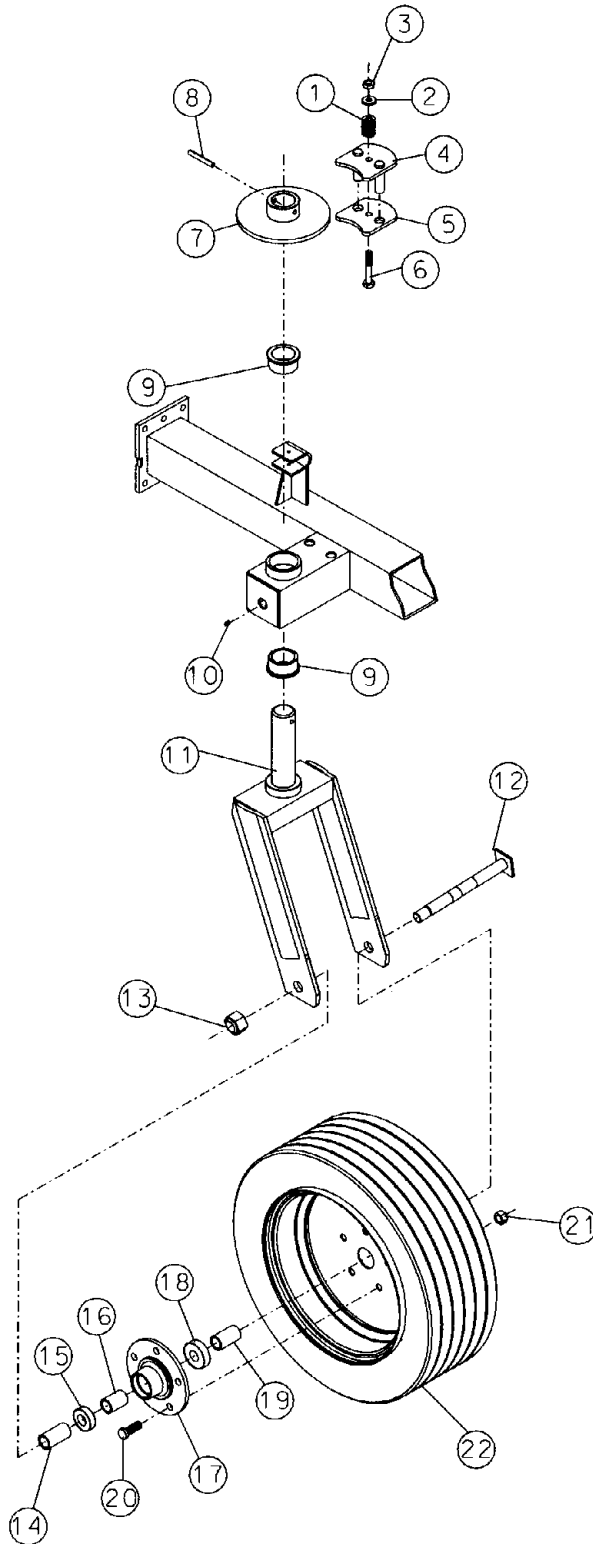


RAKE WHEEL COMPLETE L.H. STRAIGHT



RIGHT & LEFT HAND FINGER WHEELS ASSEMBLY V8-V10 2GW

N#	CODICE#	DESCRIPTION	Q.tà
1	P25AG003	TINES STRAIGHT V.BUNDLE OF 40 TINES	02
2	V10AZ015	HEX SCREW TE M10x25	12
3	V30AZ004	WASHER M10 UNI6592 ZN	12
4	V10BZ006	SCREW TTQST M 10x21 UNI 5731 ZN	40
5	S10BZ001	CLIP TINE RAKE WHEELS ZN	20
6	P50ZG074	HOOP YELLOW	02
7	V20AZ003	HEXAGONAL NUT 6S M10 UNI 5588 ZINC	40
8	P70AG069	PLATE/TINE	02
9	P50BR004	RAKE ARM L.H.	01
	P50BR009	RAKE ARM L.H. W/GREASER	01
10	V20AZ003	HEXAGONAL NUT 6S M10 UNI 5588 ZINC	12
11	C40AZ017	SPRING FOR RAKE ARMS ZN	02
12	C45AZ001	CHAIN ZINCED PCS 23x10,7x4,5 l=506	02
13	V50AZ001	U SHACKLE 1/4" ZN	02
14	P50BR003	RAKE ARM R.H.	01
	P50BR008	RAKE ARM R.H. W/GREASER	01
15	V85A0001	BUSHING NYLON	04
16	V30BZ007	STEEL B. WASHER 32.2x53x5 ZN	02
17	V40CZ009	SPLIT PIN R D=5 ZN	02
18	V30A0014	STEEL BLANK WASHER M24 UNI6592	01
19	V60D0001	BUSHING (CUSC.) 6205 Z	01
20	S10AR002	HUB FOR RAKE	01
	S10AR004	HUB W/GREASER	01
21	V60A0001	BUSHING (CUSC.)	01
22	V20BZ006	SELF LOCKING NUT NYLON MB18	01
23	S95AR001	CAP FOR HUB	01
	P20BG001	RAKE WHEEL COMPLETE R.H. STR.	01
	P20BG002	RAKE WHEEL COMPLETE L.H. STR.	01

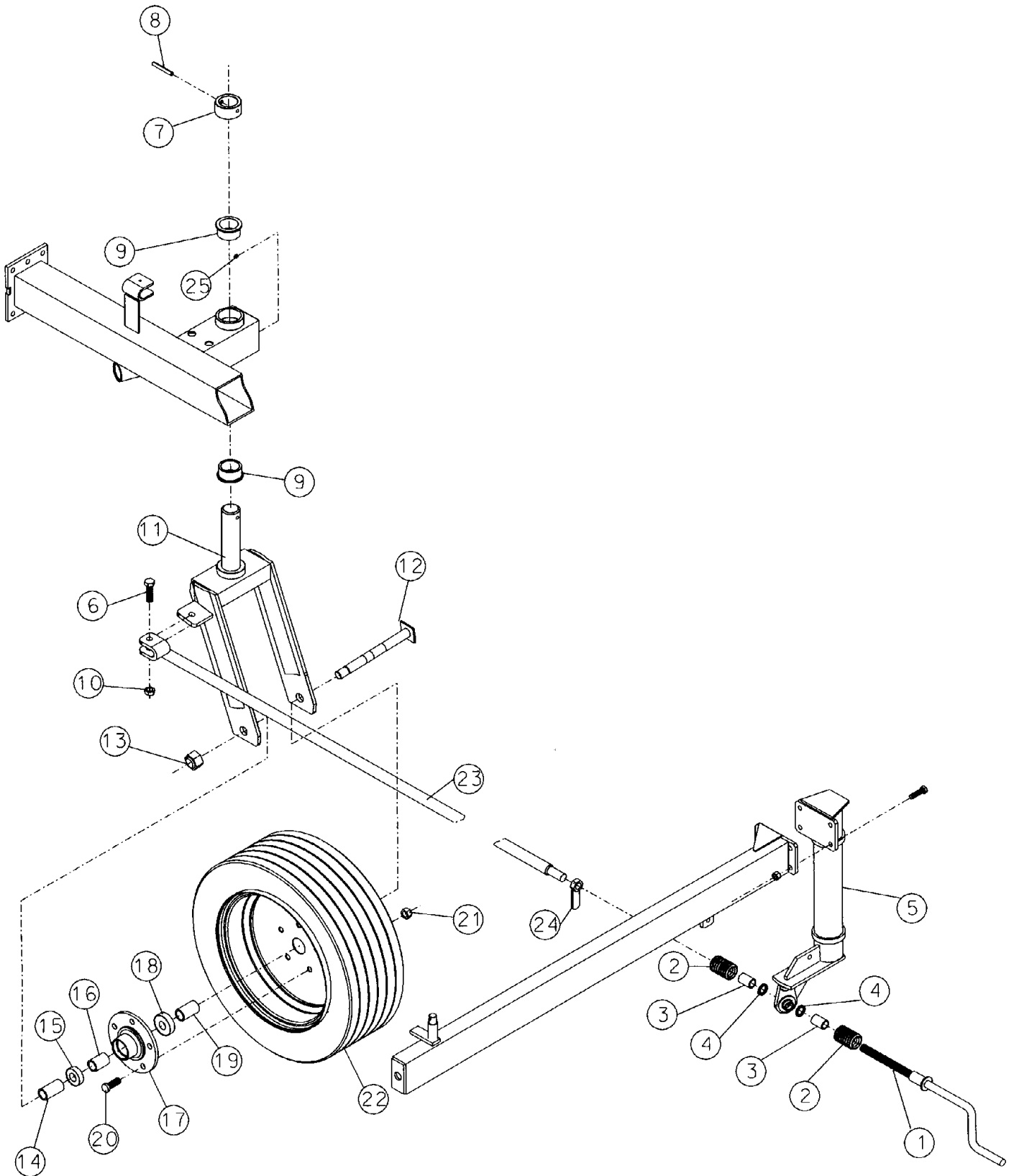
FRONT CRAZY WHEEL ASSEMBLY V8-V10 2GW


FRONT CRAZY WHEEL ASSEMBLY V8-V10 2GW

N#	CODICE#	DESCRIPTION	Q.tà
1	C40AZ018	SPRING FOR BRAKE d=5 mm ZN	01
2	V30BZ004	WASHER 12x36x3 UNI 6593 ZINCED	01
3	V20CZ003	NUT METABLOCK M12 DIN 980 ZINCED	01
4	C80AZ002	PLATE BRAKES W/PIVOT ZN.	01
5	C80AZ001	PLATE FOR BRAKES ZN.	01
	S90E0001	BRAKE ASSEMBLY	01
6	V10AZ041	SCREW TE M12x90 UNI5739	01
7	C80CZ001	DISC FOR BRAKES ZN.	01
8	V40B0010	ELASTIC PIN D. 10x70 UNI6873	01
9	S20B0001	BRASS BUSHING FOR WHEEL T9	02
10	V99AZ001	GREASER 10 MB UNI 7663-A	01
11	P50ER001	FORK FOR WHEEL 175/70x14"	01
12	C70BZ010	PIVOT GROUND WHEEL l=260 ZN	01
13	V20BZ021	SELF LOCKING NUT NY.M24x2 UNI7474 Z	01
14	V35AZ005	SPACER PIVOT G. WHEEL l=64	01
15	V60E0001	BUSHING (CUSC.)	01
16	V35A0003	SPACER INNER WHEEL L=48 T/V	01
17	S10AR003	HUB WHEEL SUPPORT T/V	01
18	V60E0004	BUSHING (CUSC.)	01
19	V35AZ006	SPACER PIVOT WHEEL EXT L=58	01
20	V10A0121	CAP SCREW MB 16x45	05
21	V20BZ025	SELF-CENTER NUT MB16x27x21	05
22	C60AS001	WHEEL 175/70 R14 4Jx14"	01
	C60BS001	WHEEL 175.70x14" W/HUB	01



ASSEMBLY ADJUSTABLE WHEEL V8-V10 2GW

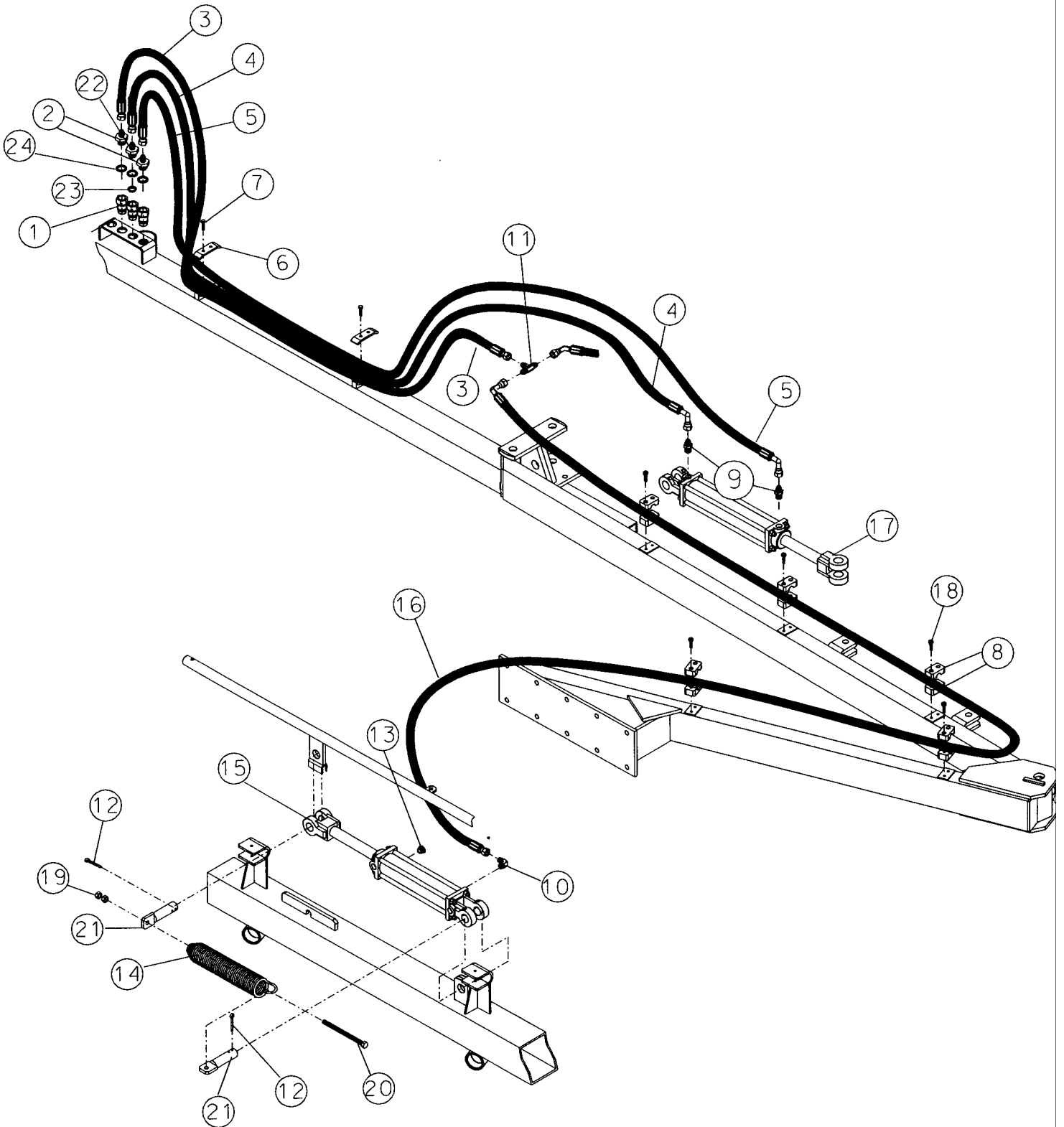


ASSEMBLY ADJUSTABLE WHEEL V8-V10 2GW

N#	CODICE#	DESCRIPTION	Q.tà
1	P50QZ013	ROD-WHEEL DIRECTION W/HANDLE	01
2	C40AZ013	SPRING ROD WHEEL DIRECTION	02
3	P50ZZ027	SPACER TURNBUCKLE ZN V-2GW	02
4	V30AZ014	WASHER 25x50x2.5	02
5	P50ZR009	SUPPORT (WHL RH-2GW)	01
6	V10AZ057	SCREW TE M 16x55 UNI 5739 ZINCED	01
7	P50ZZ031	BUSHING H=45 ZINCED	01
8	V40B0010	ELASTIC PIN D. 10x70 UNI6873	01
9	S20B0001	BRASS BUSHING FOR WHEEL	02
10	V20AZ007	HEXAGONAL NUT 6S M16 UNI 5588 ZINC	01
11	P50ER002	FORK FOR WHEEL 175/70x14 RH V-2GW	01
12	C70BZ010	PIVOT GROUND WHEEL I=260 ZN	01
13	V20BZ021	SELF LOCKING NUT NY.M24x2 UNI7474 Z	01
14	V35AZ005	SPACER PIVOT G. WHEEL I=64	01
15	V60E0001	BUSHING (CUSC.)	01
16	V35A0003	SPACER INNER WHEEL L=48 T/V	01
17	S10AR003	HUB WHEEL SUPPORT T/V	01
18	V60E0004	BUSHING (CUSC.)	01
19	V35AZ006	SPACER PIVOT WHEEL EXT L=58	01
20	V10A0121	CAP SCREW MB 16x45	05
21	V20BZ025	SELF-CENTER NUT MB16x27x21	05
22	C60AS001	WHEEL 175/70 R14 4Jx14"	01
	C60BS001	WHEEL 175.70x14" W/HUB	01
23	C30BR006	TURNB. FOR WHEEL REG. SCREW V8-2GW	01
	C30BR004	TURNB. FOR WHEEL REG. SCREW V10-2GW	01
24	P50MZ010	REGULATING SCREW ZN V-2GW	01
25	V99AZ001	GREASER 10 MB UNI 7663-A	01



HYDRAULIC ASSEMBLY V8-V10 2GW



HYDRAULIC ASSEMBLY V8-V10 2GW

N#	CODICE#	DESCRIPTION	Q.tà
1	C25E0001	FAST FLUID CONNECTOR 1/2" PIONEER	03
2	C25A0010	FITTING 1/2"x9/16" - 18 JIC	02
3	C22A0038	HOSE, HYD (100R-3000)	01
4	C22A0040	HOSE, HYD (100R-3200)	01
5	C22A0041	HOSE, HYD (100R-3500)	01
6	C70DZ001	COVER PLASTIC 3 HOSE GUIDE	02
7	V10AZ002	SCREW TE M6x16 UNI 5739 ZINCED	04
8	V85B0001	CLAMP FOR 1 HOSE	20
9	C25A0003	FITTING F3 3/8" NPTF-9/16-18	02
10	C25A0004	90° ELBOW ADAPTER 3/8 NPTF-9/16-18	02
11	C25D0002	TEE FITTING 9/16-18 JIC	01
12	V40CZ002	SPLIT PIN D=5x40 UNI 1336 ZINCED	04
13	C25L0001	VALVE FOR CYLINDER 3/8"	02
14	C40AZ015	SPRING LIFT CYLINDER ZN T/V	02
15	C50BN004	CYLINDER LIFT RAKE WHEELS V-2GW2x8"	02
16	C22A0043	HOSE, HYD (100R-3900)	02
17	C50BN007	HYD. CYLINDER	01
18	V10BZ001	SCREW TCEI M6x25 UNI 5931 ZINCED	20
19	V20AZ003	HEXAGONAL NUT 6S M10 UNI 5588 ZINC	04
20	C30BZ007	ROD FOR CYLINDER SPRING ZINCED T/V	02
21	C70BZ011	PIVOT/LIFT CYLINDER ZN T/V	04
22	C25H0002	RESTRICTOR 9/16 18-JIC-1/2" GAS CYL. 1 mm.	01
23	C25H0006	ORIFICE PLATE D=0.7	01
24	C25F0010	WASHER+OR 1/2" GAS CYL.	03

NUMERICAL INDEX

PART N#	PAGE N#	REF N#	PART N#	PAGE N#	REF N#	PART N#	PAGE N#	REF N#
C22A0038	17	3	P50AR029	09	9	P50ZR009	15	5
C22A0040	17	4	P50AR082	07	1	P50ZR012	03	4
C22A0041	17	5	P50AR083	07	8	P50ZR015	01	6
C22A0043	17	16	P50AR086	09	8	P50ZZ027	15	3
C25A0003	17	9	P50AR087	09	1	P50ZZ031	15	7
C25A0004	17	10	P50AR099	03	2	P50ZZ045	01	40
C25A0010	17	2	P50AR100	03	3	P50ZZ046	05	8
C25D0002	17	11	P50BR003	11	14	P50ZZ047	05	2
C25E0001	17	1	P50BR004	11	9	P70AG069	11	8
C25F0010	17	24	P50BR008	11	14	P70AZ034	03	8
C25H0002	17	22	P50BR009	11	9	P70AZ049	01	32
C25H0006	17	23	P50CR019	01	1	P70AZ061	05	1
C25L0001	17	13	P50CR020	01	29	P70BR118	01	14
C30AZ001	01	15	P50CR021	01	30	S10AR002	11	20
C30BR004	15	23	P50CR022	01	31	S10AR003	13	17
C30BR006	15	23	P50DZ016	05	7	S10AR003	15	17
C30BZ007	17	20	P50DZ033	05	6	S10AR004	11	20
C40AZ013	15	2	P50ER001	13	11	S10BZ001	11	5
C40AZ015	17	14	P50ER002	15	11	S20AZ002	07	2
C40AZ017	11	11	P50FR009	01	2	S20AZ002	09	2
C40AZ018	13	1	P50FR012	03	1	S20B0001	13	9
C40AZ029	01	39	P50FR022	01	28	S20B0001	15	9
C45AZ001	11	12	P50GZ003	07	17	S90E0001	13	
C45AZ007	01	37	P50GZ004	07	4	S95AR001	11	23
C50BN004	17	15	P50GZ005	07	3	V10A0121	13	20
C50BN007	17	17	P50GZ005	09	3	V10A0121	15	20
C60AS001	13	22	P50GZ009	09	17	V10AZ002	17	7
C60AS001	15	22	P50GZ010	09	4	V10AZ011	07	6
C60BS001	13	22	P50HR015	01	35	V10AZ011	09	6
C60BS001	15	22	P50HZ011	03	6	V10AZ015	11	2
C70AZ001	01	8	P50HZ019	01	42	V10AZ016	03	14
C70BZ010	13	12	P50MR001	01	10	V10AZ041	13	6
C70BZ010	15	12	P50MZ002	03	7	V10AZ044	01	16
C70BZ011	17	21	P50MZ004	03	9	V10AZ046	03	17
C70BZ013	01	34	P50MZ010	15	24	V10AZ056	05	9
C70BZ017	01	5	P50QZ005	01	22	V10AZ057	01	11
C70BZ034	01	43	P50QZ008	05	5	V10AZ057	15	6
C70DZ001	17	6	P50QZ009	05	4	V10AZ081	01	13
C80AZ001	13	5	P50QZ010	05	3	V10AZ100	05	11
C80AZ002	13	4	P50QZ013	15	1	V10AZ101	01	3
C80CZ001	13	7	P50QZ014	07	14	V10AZ101	03	11
P20BG001	11		P50QZ014	09	14	V10AZ101	07	10
P20BG002	11		P50RZ005	01	18	V10AZ101	09	10
P25AG003	11	1	P50RZ011	01	17	V10AZ103	05	13
P50AR021	07	7	P50Z0034	01	19	V10AZ125	05	14
P50AR024	07	9	P50ZG074	11	6	V10BZ001	17	18
P50AR026	09	7	P50ZR009	03	5	V10BZ003	01	24

NUMERICAL INDEX

PART N#	PAGE N#	REF N#	PART N#	PAGE N#	REF N#	PART N#	PAGE N#	REF N#
V10BZ003	05	15	V40B0010	13	8			
V10BZ003	07	12	V40B0010	15	8			
V10BZ003	09	12	V40CZ002	17	12			
V10BZ006	11	4	V40CZ008	01	9			
V20AZ003	11	7	V40CZ008	05	20			
V20AZ003	11	10	V40CZ009	11	17			
V20AZ003	17	19	V40DZ001	01	33			
V20AZ004	03	13	V45BZ001	07	16			
V20AZ005	01	21	V45BZ001	09	16			
V20AZ005	05	16	V45BZ002	01	26			
V20AZ005	07	15	V50AZ001	11	13			
V20AZ005	09	15	V50AZ002	01	44			
V20AZ007	15	10	V60A0001	11	21			
V20BZ001	07	5	V60C0001	01	20			
V20BZ001	09	5	V60D0001	11	19			
V20BZ005	05	10	V60E0001	13	15			
V20BZ006	11	22	V60E0001	15	15			
V20BZ019	01	27	V60E0004	13	18			
V20BZ021	01	7	V60E0004	15	18			
V20BZ021	13	13	V70AZ002	01	36			
V20BZ021	15	13	V70AZ002	03	10			
V20BZ025	13	21	V80A0001	01	23			
V20BZ025	15	21	V80A0001	05	21			
V20CZ002	03	15	V80A0001	07	13			
V20CZ003	01	4	V80A0001	09	13			
V20CZ003	01	41	V85A0001	11	15			
V20CZ003	03	12	V85B0001	17	8			
V20CZ003	05	17	V99AZ001	01	38			
V20CZ003	07	11	V99AZ001	03	16			
V20CZ003	09	11	V99AZ001	13	10			
V20CZ003	13	3	V99AZ001	15	25			
V20CZ005	01	12						
V30A0014	11	18						
V30AZ004	11	3						
V30AZ005	05	12						
V30AZ012	05	18						
V30AZ014	15	4						
V30BZ004	13	2						
V30BZ007	11	16						
V35A0003	13	16						
V35A0003	15	16						
V35AZ005	13	14						
V35AZ005	15	14						
V35AZ006	13	19						
V35AZ006	15	19						
V40B0004	01	25						
V40B0004	05	19						