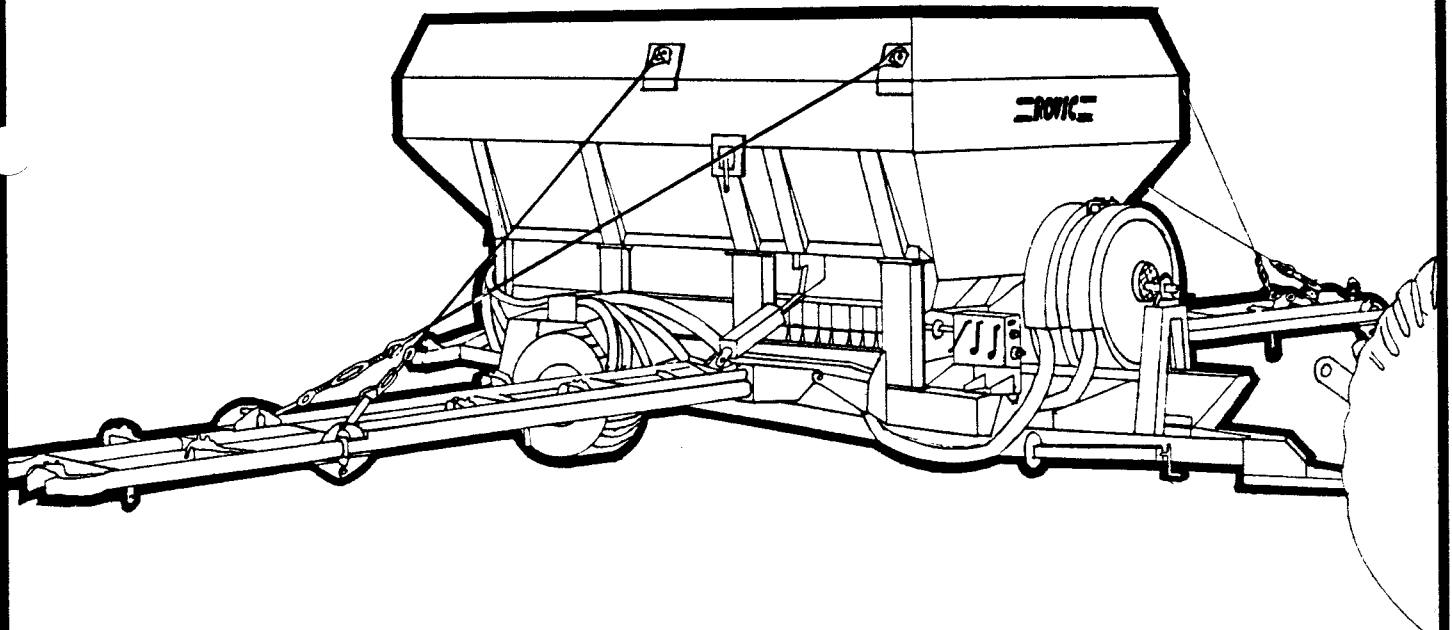


INSTRUCTION MANUAL HANDLEIDING



4010 AIRSEEDER/ LUGDRUKSTROOIER

ROVIC MACHINERY (PTY) LTD

HEAD OFFICE - HOOFKANTOOR

XENBURG ROAD TEL. 905-1158
BLACKHEATH FAX 905-1570
P.O. BOX 281 TELEX 526520 SA
KUILSRIVER, 7580

BRANCHES - TAKKE

WESTERN PROVINCE 021 - 905-1158
KLERKSDORP 018 - 9-1355
KIMBERLEY 0531 - 3-2538
PRETORIA 021 - 327-4656
DURBAN 013 - 701-5920

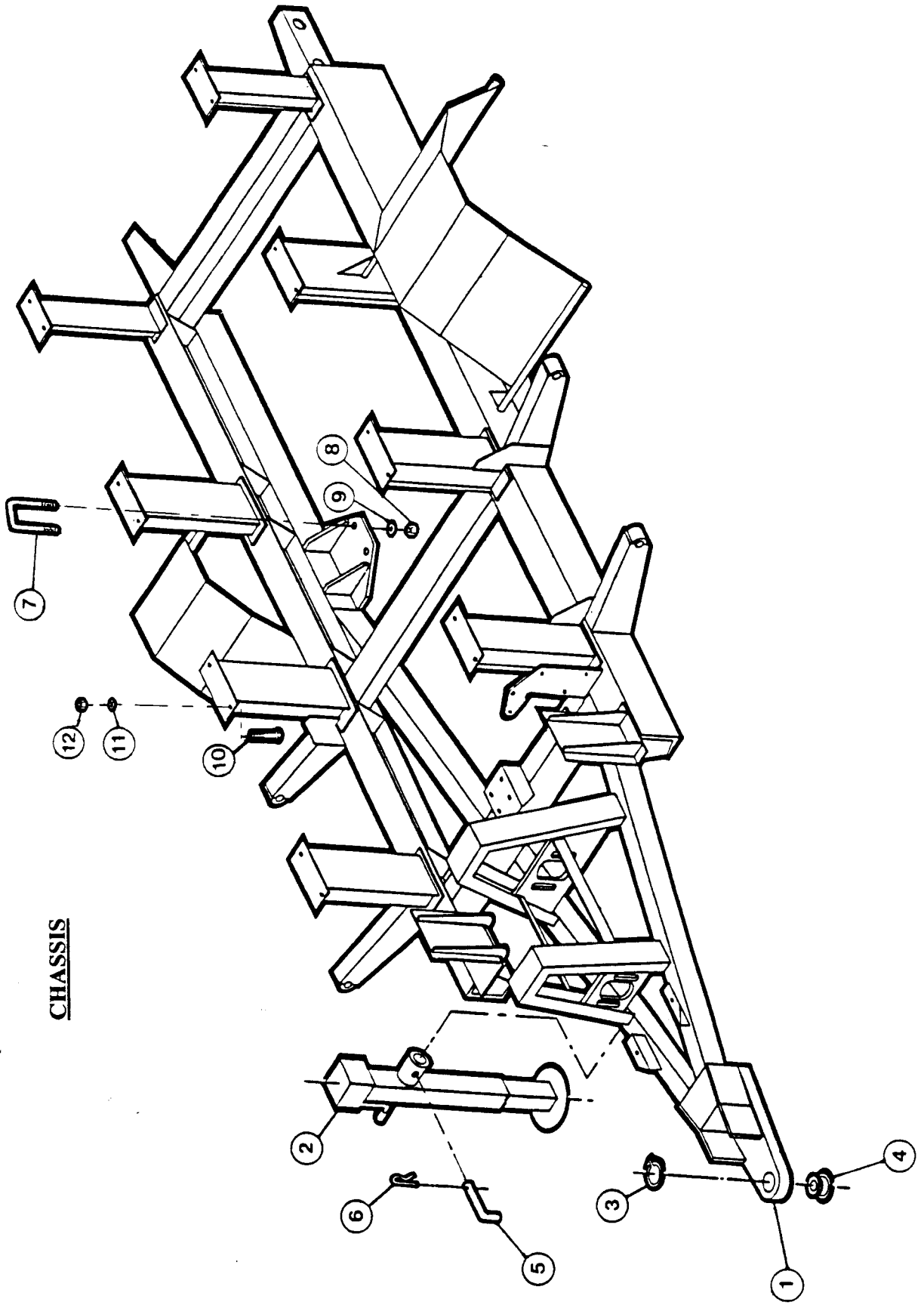
TEL.



Description	Page no
Chassis	7-8
Hopper	9-10
Axle	11-12

CHASSIS

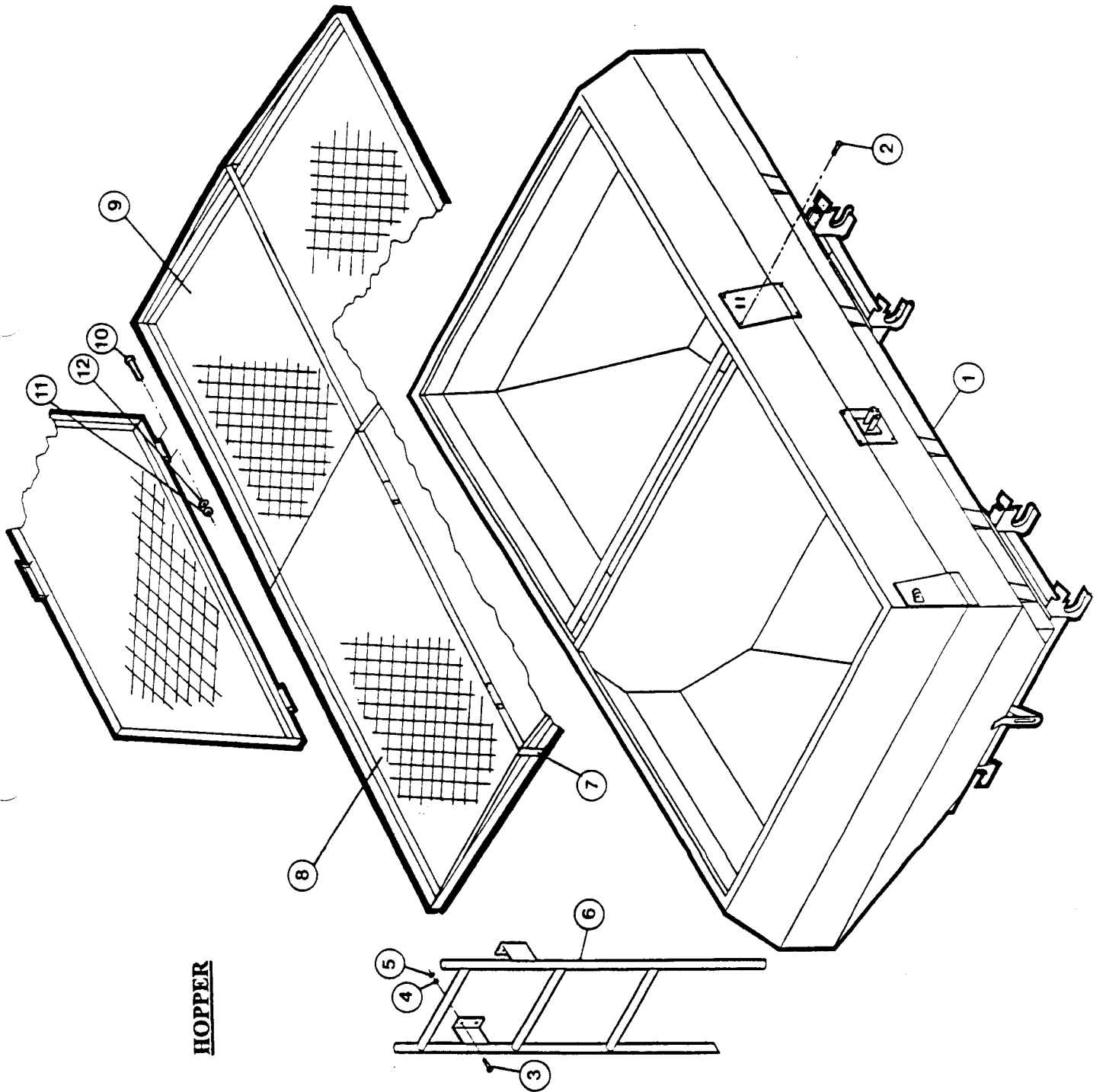
ITEM NO	DESCRIPTION	PART NO
1	Chassis	LSAS 55084
②	Parking jack	LSAS 55019
3	Circlip x 82	M82CIR
4	Hitch bush 35mm	JS21656A
5	Parking jack securing pin	LSAS 55017
6	R-clip	512RC
7	U-Bolt	LSRS 4111-5
8	M16 Nut	M16 GN
9	M16 Spring washer	M16 GSW
10	M12 x 30 Bolt	M12 x 30 G
11	M12 Washer	M12 GFW
12	M12 Nut	M12 GN



CHASSIS

HOOPER

ITEM NO	DESCRIPTION	PART NO
1	Bin	LSAS 55100
2	M12 x 30 galvanized bolt	M12 x 30 GSS
3	M10x30 bolt	M10x30 G
4	M10 spring washer	M10 GSW
5	M10 nut	M10 GN
6	Ladder	LSAS 55150
7	Sieve complete	LSAS 55665
8	Sieve front lid	LSAS 55667
9	Sieve rear lid	LSAS 55669
10	M12 x 100 Bolt	M12 x 100 G
11	M12 nut	M12 GN
12	M12 spring washer	M12 GSW



HOPPER

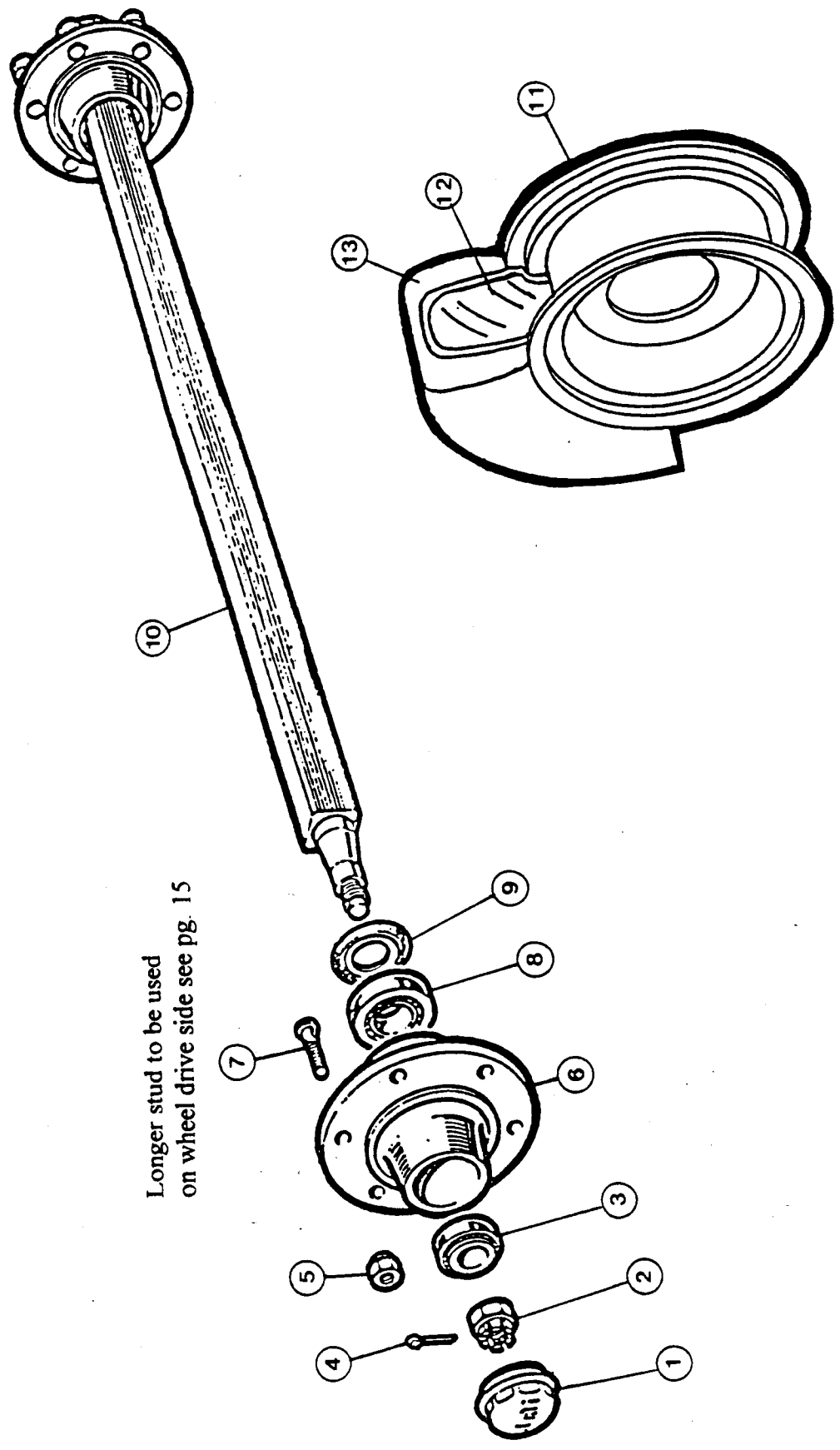
AXLE & TYRE

ITEM NO	DESCRIPTION	PART NO	90 mm	LSRS 4121
①	Hub cap	GCAP85.1		
②	Hub nut	M18 HN		LSRS 4121/5
③	Taper Roller Bearing	LSRS 30209		LSRS 4119
4	Split pin	M6 x 50 SP		30210
⑤	Wheel nut	M18WN	LSRS 4116	
⑥	Hub	HUMS3000.05	LSRS 4114	LSRS M39CN
⑦	Stud	M18 WS	LSRS 4115	
⑧	Taper roller bearing	LSRS30212		
⑨	Grease seal	RCRSL68-110-10	LSRS 65-110-12	
⑩	Axle beam 70 mm x 1.8	AUS6000.20	LSRS 4110	
⑪	Rim 15.5 x 13	LSAS 55552		
⑫	Tube 400x 15.5	LSAS 55554		
⑬	Tyre 18 x 15.5	LSAS 55553		
	Axle complete	LSRS 4110		
		LSAS 55553		(Nusse)
		AF 70 HD		

Nurse Heavy Duty M20 VMIAT 1416.
Complete L6AS 4.563

AXLE & TYRE

Standard stud to be used



Longer stud to be used
on wheel drive side see pg. 15

Description	Page no
Wheel drive	14-15
Clutch	16-17

WHEEL DRIVE

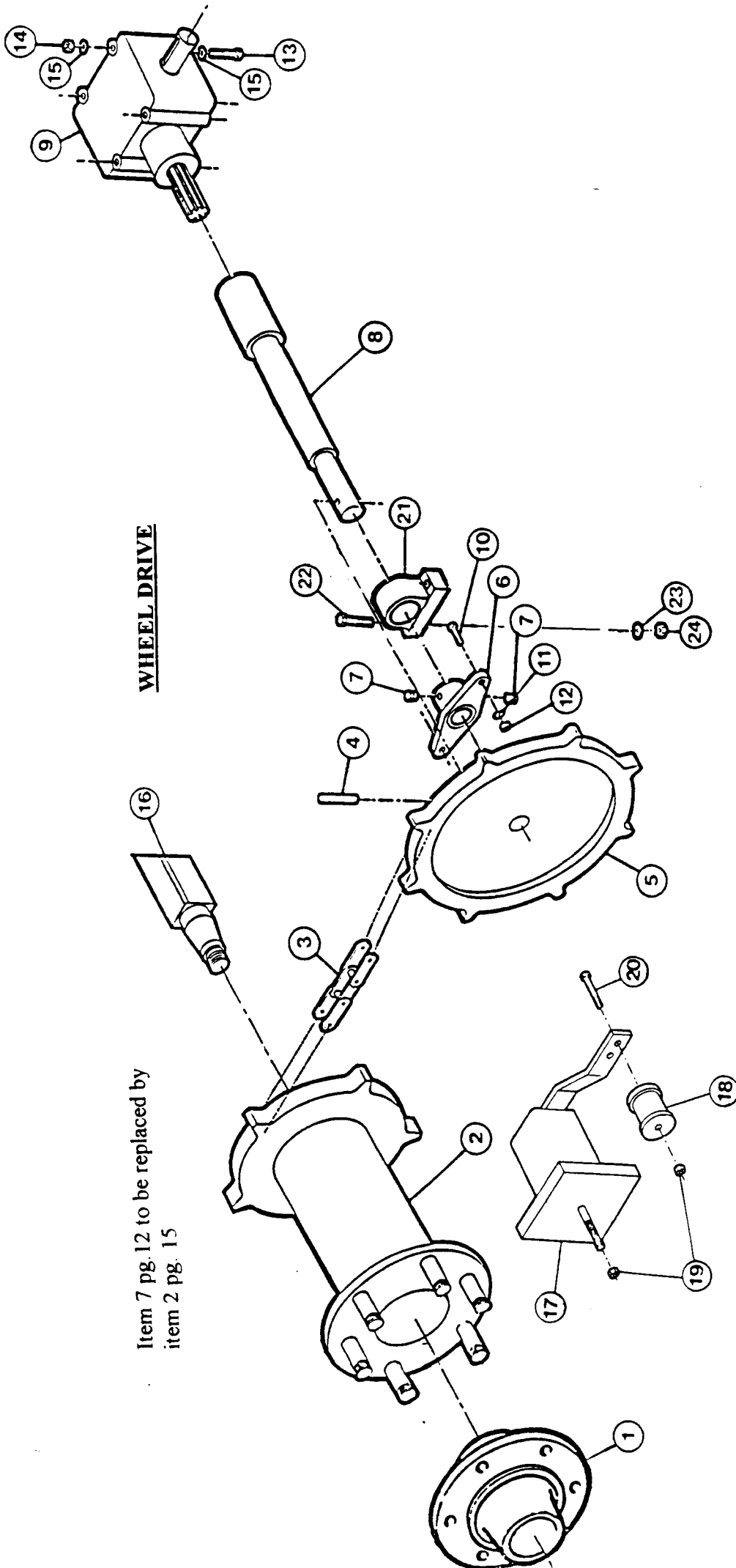
ITEM NO	DESCRIPTION	PART NO
1	Hub	HUMS 3000.05
2	5 T drive sprocket	LSAS 55861
③	Chain	LSRS1054
4	10 x 95 mm groove pin	M10 x 95 GP
5	8T sprocket chain drive	LSAS 55854
⑥	Bearing	LSRS UCFL 205
7	M6 x 10 grub screw	M6 x 10
8	Gearbox drive shaft	LSAS 55862
⑨	Comer gearbox	LSAS 55860
10	M10 x 30 Bolt	M10 x 30 G
11	M10 spring washer	M10 GSW
12	M10 Nut	M10 GN
13	M10 x 120 bolt	M10 x 120 G
14	M10 Nyloc nut	M10 Ny
15	M10 Washer	M10 BSFW
16	Axle 70 x 1800	AUS 6000.20
⑭	Chain tensioner	LSAS 55867
18	Nylon roller	LASA 55866
19	M12 Nut	M12 GN
20	M12 x 75 Bolt	M12 x 75 G
⑳	Bearing	LSAS UCP 207
22	M14 x 50 Bolt	M14 x 50 G
23	M14 Spring washer	M14 GSW
24	M14 Nut	M14 GN

LSRS 425

LSRS 4105

WHEEL DRIVE

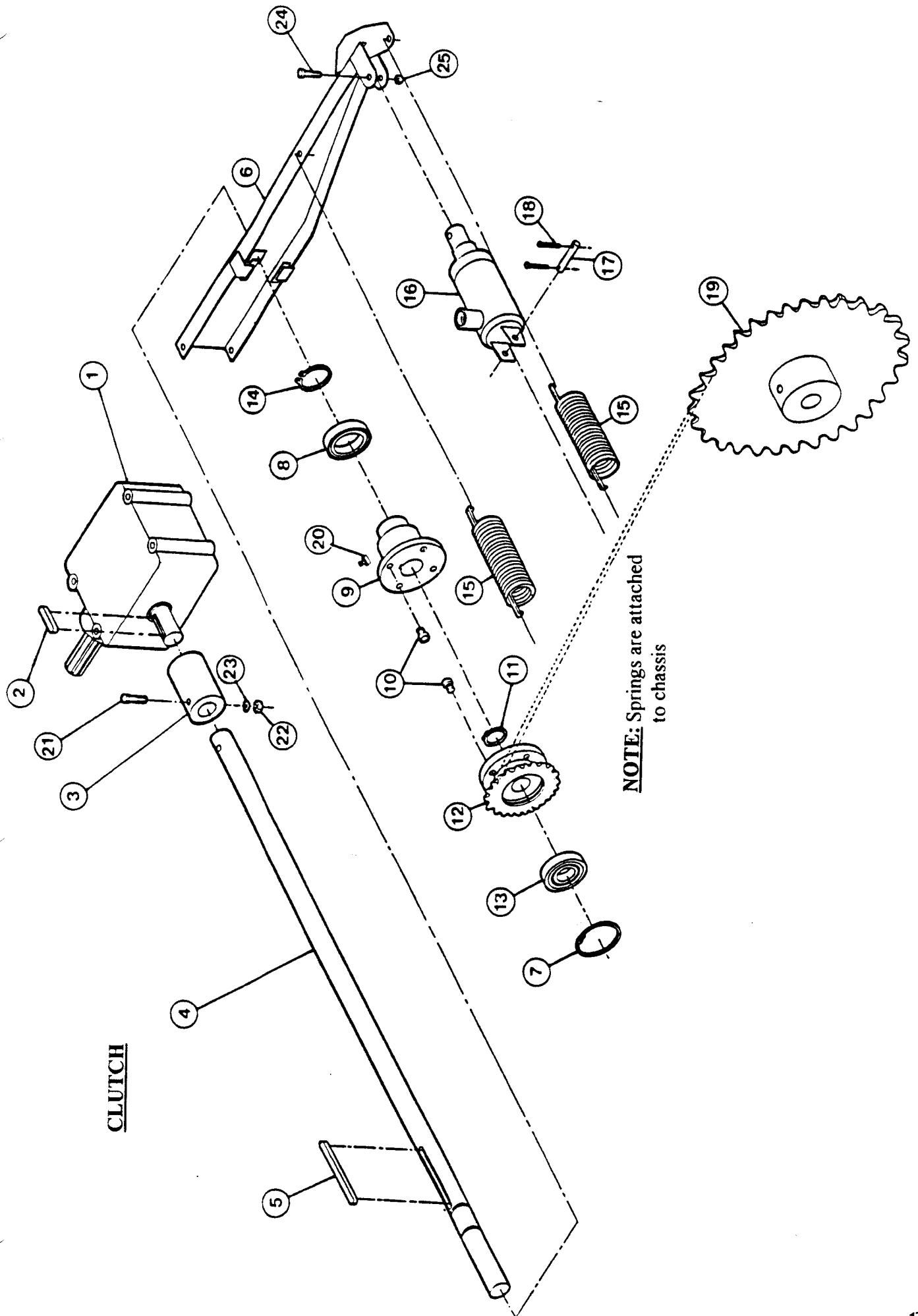
Item 7 pg. 12 to be replaced by
item 2 pg. 15



CLUTCH

ITEM NO	DESCRIPTION	PART NO
1	90 ° Gearbox	LSAS 55860
2	Key 7x8x25	LSAS 55557
3	Coupling clutch drive shaft	LSAS 55865
4	Clutch drive shaft	LSAS 55502
5	Coupling Key	LSAS 55521
6	Clutch paddle	LSAS 55505
7	Internal circlip M40	M40 CIRI
8	Clutch coupling bearing	LSAS 6208-2RS
9	Clutch coupling	LSAS 55517
10	M8 x 16 allen cap screw	M8 x 16 CS
11	External circlip	M25 CIR
12	Clutch coupling sprocket	LSAS 55516
13	Clutch coupling sprocket bearing	LSRS 6005-2RS
14	External circlip M25	M25 CIR
15	Spring	LSRS 10745 P
16	Clutch cylinder	LSAS 55534
17	Pin	LSAS 55537
18	Split pin M3x30	M3x30 SP
19	Plate wheel sprocket	LSAS 55638
20	Grease nipple 1/8 "BSP" straight	1/8 BSP STR
21	M12 x 60 Bolt	M12 x 60 G
22	M12 Nyloc nut	M12 Ny
23	M12 Washer	M12 BSFW
24	M10 x 65 Bolt	M10 x 65 G
25	M10 Nyloc Nut	M10 Ny

LSRS 1074
LSRS 1074



Description	Page no
Boom	19-20
Front & rear injector housing	21-22
Seed divider & pivot arm	23-24

BOOM

ITEM NO	DESCRIPTION	PART NO
1	Boom (main) L/H	LSAS 55204LH
2	Boom (main) R/H	LSAS 55204RH
	Boom (extension) L/H	LSAS 55205LH
	Boom (extension) R/H	LSAS 55205RH
3	10mm cable+M20 Eye to Eye turn buckle	LSAS 55213
4	D-Chackle	S 1/2 DS
5	R-clip	512RC
6	Seed deflector plate R/H	LSAS 55285RH
	Seed deflector plate L/H	LSAS 55285LH
7	Seed deflector R/H	LSAS 55276RH
	Seed deflector L/H	LSAS 55276LH
8	Transport overhead Stay	LSAS 55329
9	Boom pin	LSAS 55244
10	Boom securing pin	LSAS 55214
11	M8 Nut	M8 GN
12	PVC pipe 50 x 2470	LSAS 55171
13	PVC pipe 50 x 2164	LSAS 55172
14	PVC pipe 50 x 1454	LSAS 55173
15	PVC pipe 50 x 744	LSAS 55174
16	PVC pipe 50 x 980	LSAS 55175
17	PVC pipe 50 x 270	LSAS 55176
18	PVC pipe 50 x 1093	LSAS 55177
19	PVC pipe 50 x 384	LSAS 55178
20	Boom pin	LSAS 55214
21	PVC 50 x 1725	LSAS 55192
22	Groove pin M6 x 30	M6 x 30 GP
23	M8 x 20 Bolt	M8 x 20 GSS
24	M8 Spring washer	M8 GSW
25	Seler packing	LSAS 55265
26	PVC 50mm PYP	LSAS 6042

27700000

27700000

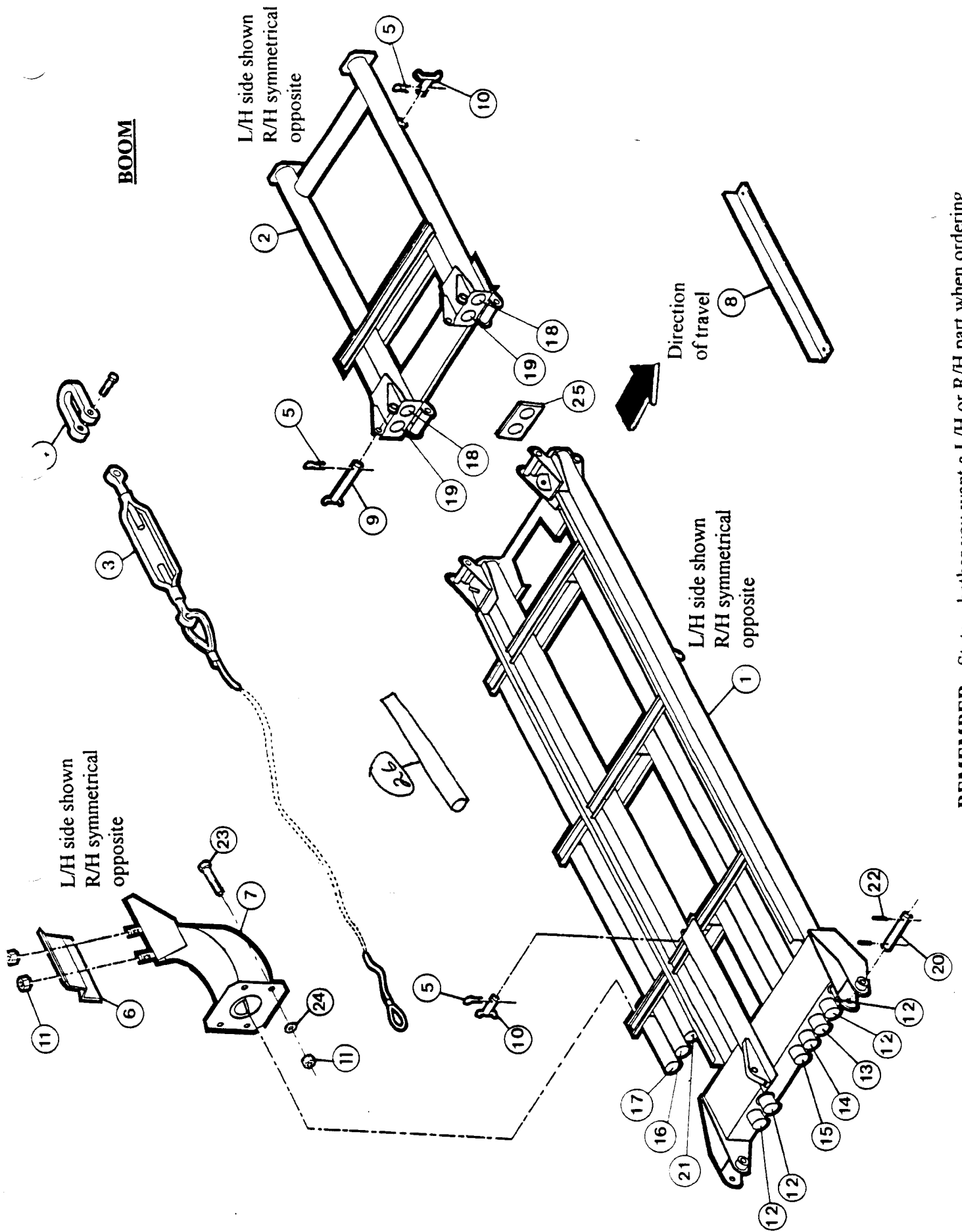
LSAS 6044 / 5

LSAS 6045 RH
LSAS 6045 LH

LSAS 6042

PVC 50mm PYP

26



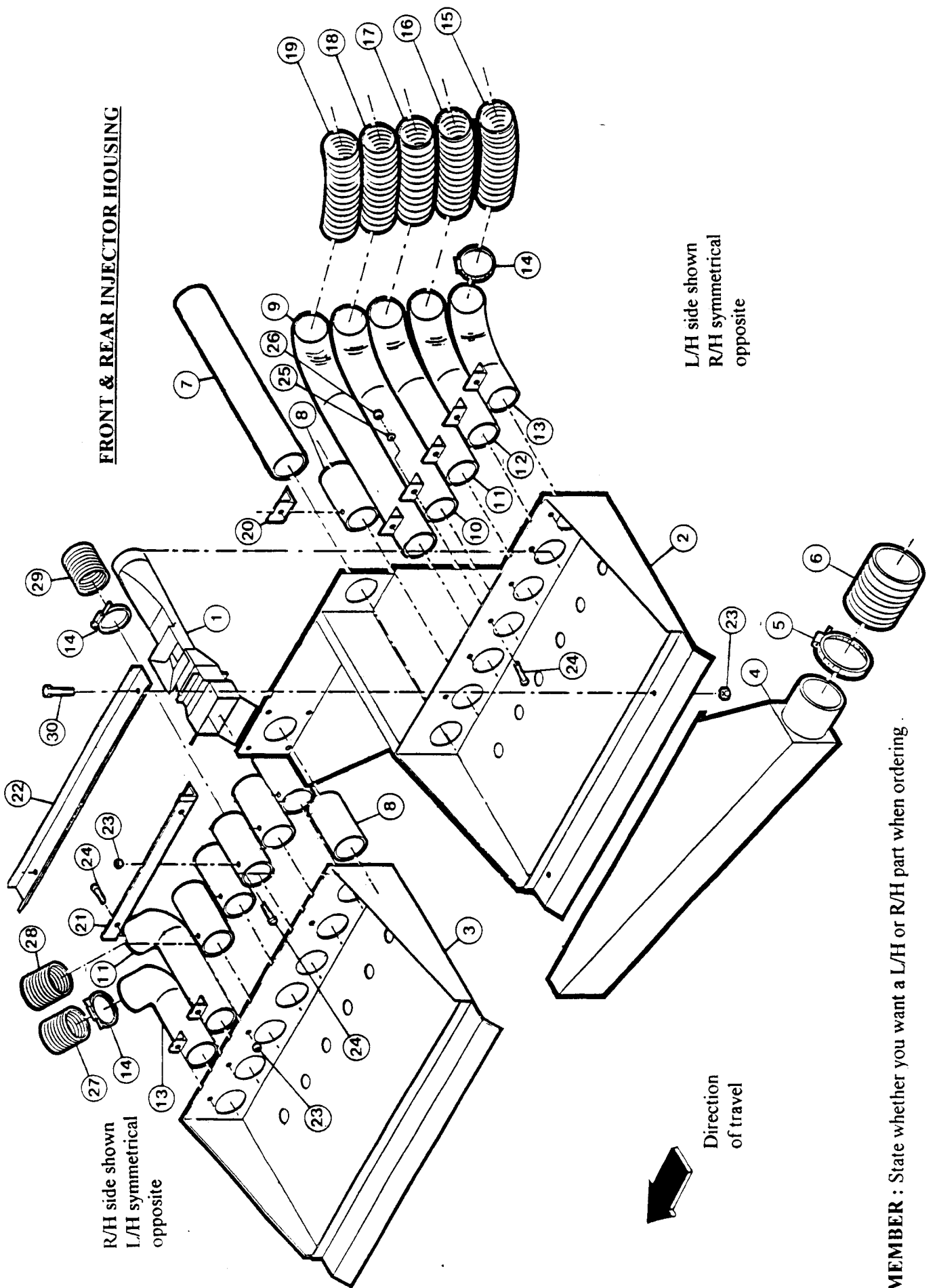
REMEMBER : State whether you want a L/H or R/H part when ordering .

FRONT & REAR INJECTOR HOUSING 50 mm PVC Ryp - LSAS 6042

ITEM NO	DESCRIPTION	PART NO
1	Injector (venturi)	LSAS 6036
2	Rear injector housing L/H	LSAS 55765LH
	Rear injector housing R/H	LSAS 55765RH
3	Front injector housing L/H	LSAS 55779LH
	Front injector housing R/H	LSAS 55779RH
4	Manifold	LSAS 55750
5	Hose clamp 75	LSAS 048
6	Flexi hose 75	LSAS 6115
7	PVC pipe 50 x 348	LSAS 55773
8	PVC pipe 50 x 95	LSAS 55774
9	Stainless Steel bend 5L/H	LSAS 55825LH
	Stainless Steel bend 5R/H	LSAS 55825RH
10	Stainless Steel bend 4L/H	LSAS 55824LH
	Stainless Steel bend 4R/H	LSAS 55824RH
11	Stainless Steel bend 3L/H	LSAS 55823LH
	Stainless Steel bend 3R/H	LSAS 55823RH
12	Stainless Steel bend 2L/H	LSAS 55822LH
	Stainless Steel bend 2R/H	LSAS 55822RH
13	Stainless Steel bend 1L/H	LSAS 55821LH
	Stainless Steel bend 1R/H	LSAS 55821RH
14	Hose clamp 50	LSAS 036
15	Flexi hose 50x 1450	LSAS 55164
16	Flexi hose 50x 1350	LSAS 55165
17	Flexi hose 50x 1620	LSAS 55166
18	Flexi hose 50x 1520	LSAS 55167
19	Flexi hose 50x 1550	LSAS 55168
20	Pipe mounting angle short	LSAS 55776
21	PVC pipe support long	LSAS 55777
22	Injector top support plate	LSAS 55758
23	M6 nylon nut	M6 NY
24	M6 x 15 bolt	M6 x 16 SS
25	M6 spring washer	M6 GSW
26	M6 nut	M6 GN
27	Flexi hose 50 x 2120	LSAS 55169
28	Flexi hose 50 x 2220	LSAS 55170
29	Flexi hose 50 x 400	LSAS 55163
30	M6x65 Bolt	M6x65 SS

LSAS 6555

FRONT & REAR INJECTOR HOUSING

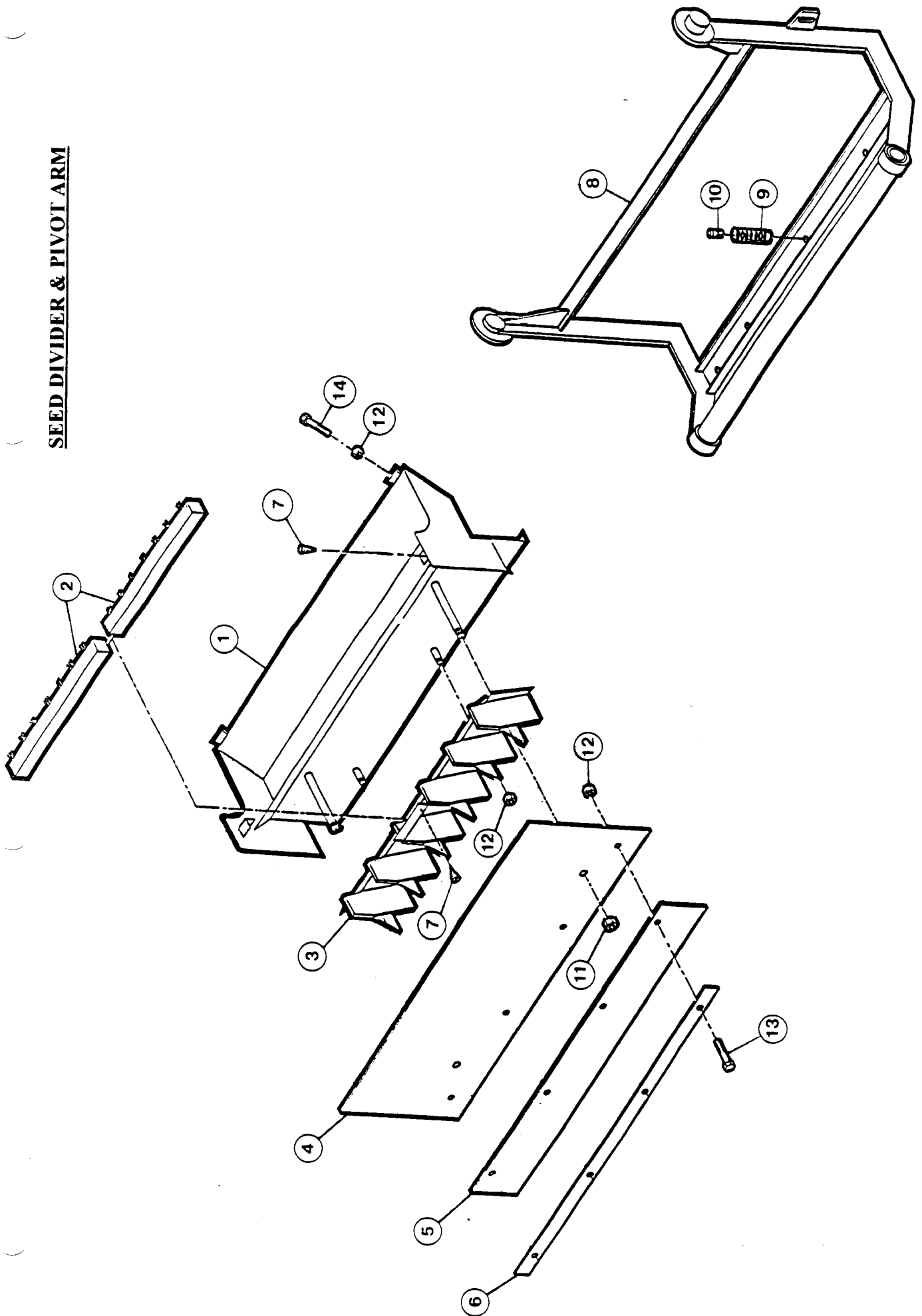


REMEMBER : State whether you want a L/H or R/H part when ordering .

SEED DIVIDER & PIVOT ARM

ITEM NO	DESCRIPTION	PART NO
1	Seed Tray	LSAS 55703
2	Nylon Brush	LSAS 6066
3	Seed Divider	LSAS 55716
4	Seed Divider cover	LSAS 55720
5	Conveyer Belt	LSAS 55721
6	Skirting strip	LSAS 55719
7	Selflapping screw	M4.2x12 ST
8	Pivot arm	LSAS 55650
9	Spring	LSAS 6056
10	M6x16 Screw	LSAS 6055
11	M8 nut	M6x16 GCKS
12	M6 nut	M8 GN
13	M6 x 16 bolt	M6 GN
14	M6 x 25 bolt	M6 x 16 SS
		M6 x 16 SS

SEED DIVIDER & PIVOT ARM



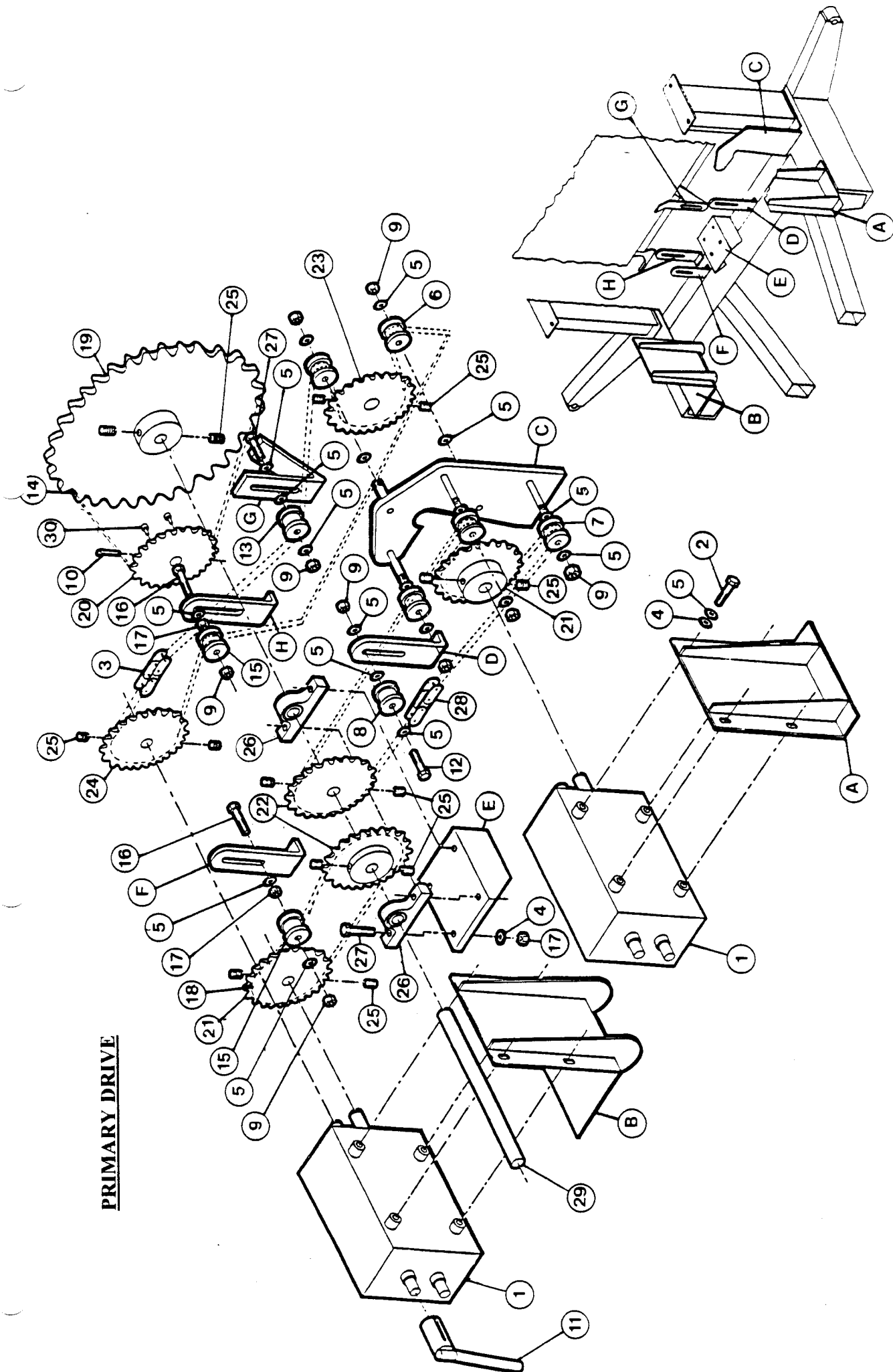
Description	Page no
Primary drive	26-27
Rear drive	28-29
Seed rollers	30-31

PRIMARY DRIVE

ITEM NO	DESCRIPTION	PART NO
①	Comer Gearbox	LSAS 55614
2	M12 x 20 Bolt	M12 x 20 GSS
③	5/8" chain x 2520	LSAS 5/8 CH
4	M12 Spring washer	M12 GSW
5	M12 Bright Flat Washer	M12 BSFW
6	Nylon Roller A1 + A4	LSAS 55625
7	Nylon Roller A2 + A3	LSAS 55626
8	Nylon roller A5	LSAS 55627
9	M12 Nylon Nut	M12 Ny
10	Split pin	M5 x 40 SP
11	Gearbox spanner	LSAS 55648
12	M12 x 65 bolt	M12 x 65 G
13	Nylon Jockey	LSAS 55628
14	5/8 " chain x 1150	LSAS 5/8 CH
15	Nylon Roller	LSAS 55629
16	M12 x 75 Bolt	M12 x 75 G
17	M12 Nut	M12 GN
18	5/8" chain x 1200	LSAS 5/8 CH
19	Primary drive sprocket 57T	SPR 5/8" x 57
20	Clutch drive sprocket 19T	SPR 5/8" x 19
21	Gearbox input sprocket 19T	SPR 5/8" x 19
22	Gearbox drive sprocket 15T	SPR 5/8" x 15
23	L/H roller drive sprocket 23T	SPR 5/8" x 23
24	R/H roller drive sprocket 23T	SPR 5/8" x 23
25	M6 x 20 grub screw	M6 x 20 GS
②⑥	Bearing	LSRS UCP 205
27	M12 x 50 bolt	M12 x 50 G
28	5/8" chain x 2090	LSAS 5/6 CH
29	Primary drive shaft	LSAS 55644
30	M8 x 16 allen cap screw	M8 x 16 CS

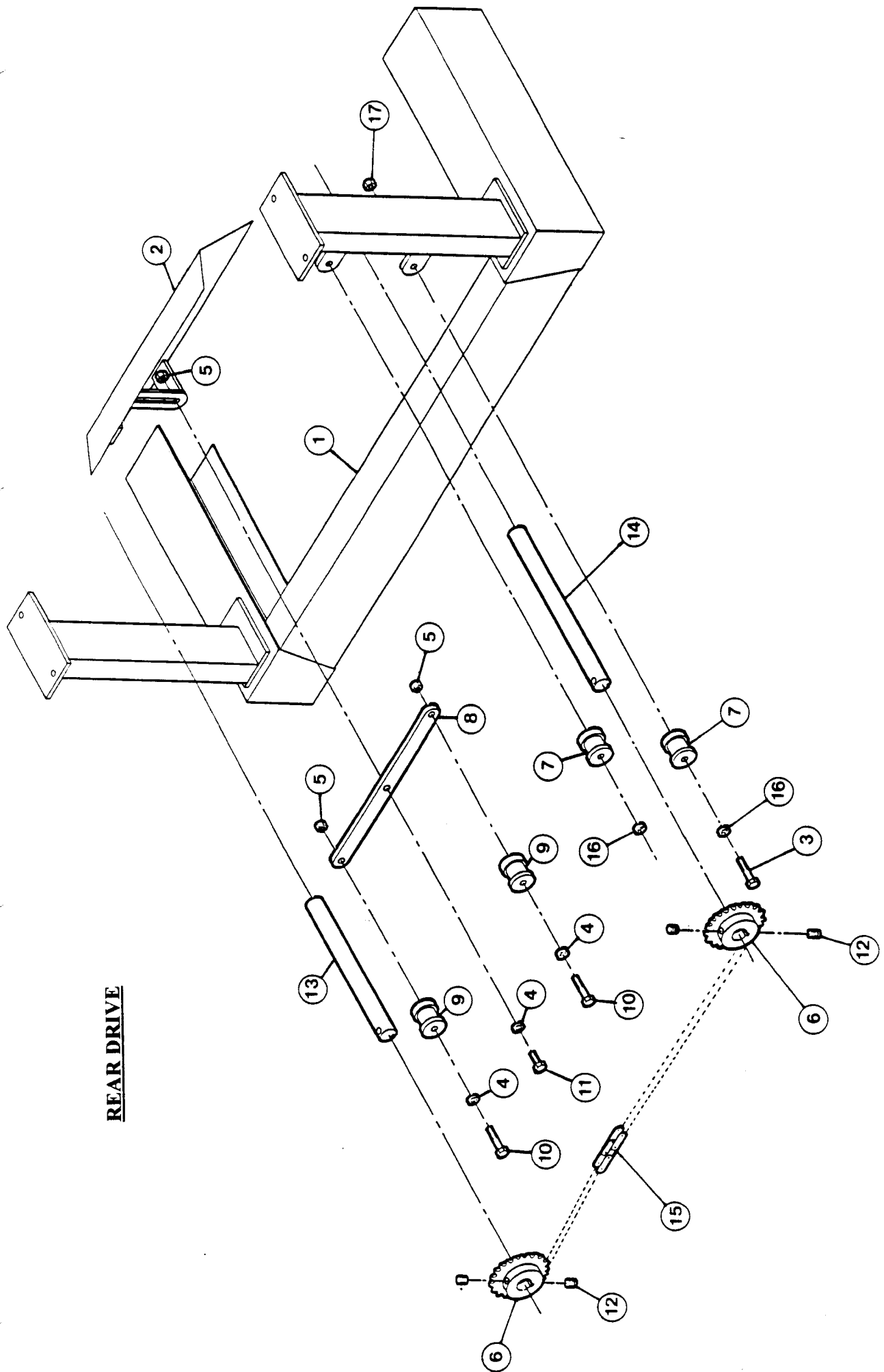
LSAS 637

PRIMARY DRIVE



REAR DRIVE

ITEM NO	DESCRIPTION	PART NO
1	Section drawbar + chassis	
2	Section bin	
3	M10 x 75 Bolt	M10 x 75 G
4	M12 Flat washer	M12 GFW
5	M12 Nyloc Nut	M12 Ny
6	Rear drive sprocket 23T	SPR 5/8" x 23
7	Nylon roller	LSAS 55631
8	F roller mounting	LSAS 55138
9	Nylon roller	LSAS 55630
10	M12 x 65 bolt	M12 x 65 G
11	M12 x 20 Bolt	M12 x 20 G
12	M6 x 10 Grub screw	M6 x 10 GS
13	L/H rear roller shaft	LSAS 55644
14	R/H rear roller shaft	LSAS 55640
15	5/8" chain x 2520	LSAS5/8 CH
16	M10 Bright flat washer	M10 BSFW
17	M10 Nyloc nut	M10 Ny



REAR DRIVE

SEED ROLLER

ITEM NO	DESCRIPTION	PART NO
1	External Circlip 55 mm	M55 CIR
2	Sealing washer	LSAS 6082
3	Cam wheels	LSAS 6083
4	R/H Front+Rear seed roller shaft	LSAS 55305
5	Roller L/H front drive sprocket 23T	LSAS 55634
6	Bearings	LSRS 60112RS
7	Bearing spacers	LSAS 55319
8	L/H Front seed roller	LSAS 55307
9	Key 7x 8 x 530	LSAS 55316
10	R/H Front roller shaft	LSAS 55641
11	R/H Rear roller shaft	LSAS 55640
12	L/H Front roller shaft	LSAS 55643
13	L/H Rear roller shaft	LSAS 55644
14	M6 x 16 Bolt	M6 x 16 GSS
15	M8 x 20 Grub screw	M8 x 20 GS
16	Key 7 x 8 x 100	LSAS 55556
17	Coupling	LSAS 55645
18	Coupling	LSAS 55647
19	Coupling	LSAS 55646
20	M6 x 55 Groove pin	M6 x 55
21	M8 x 40 Bolt	M8 x 40
22	M8 Nut	M8 GN
23	M6 x 50 split pin	M6 x 50 SP
24	Bearing	LSRS 6005-2RS
25	Roller drive sprocket 23T	SPR 5/8" x 23
26	Key R/H front roller shaft	LSAS 55562

LSRS 6011

LSRS 6005

SEED ROLLER

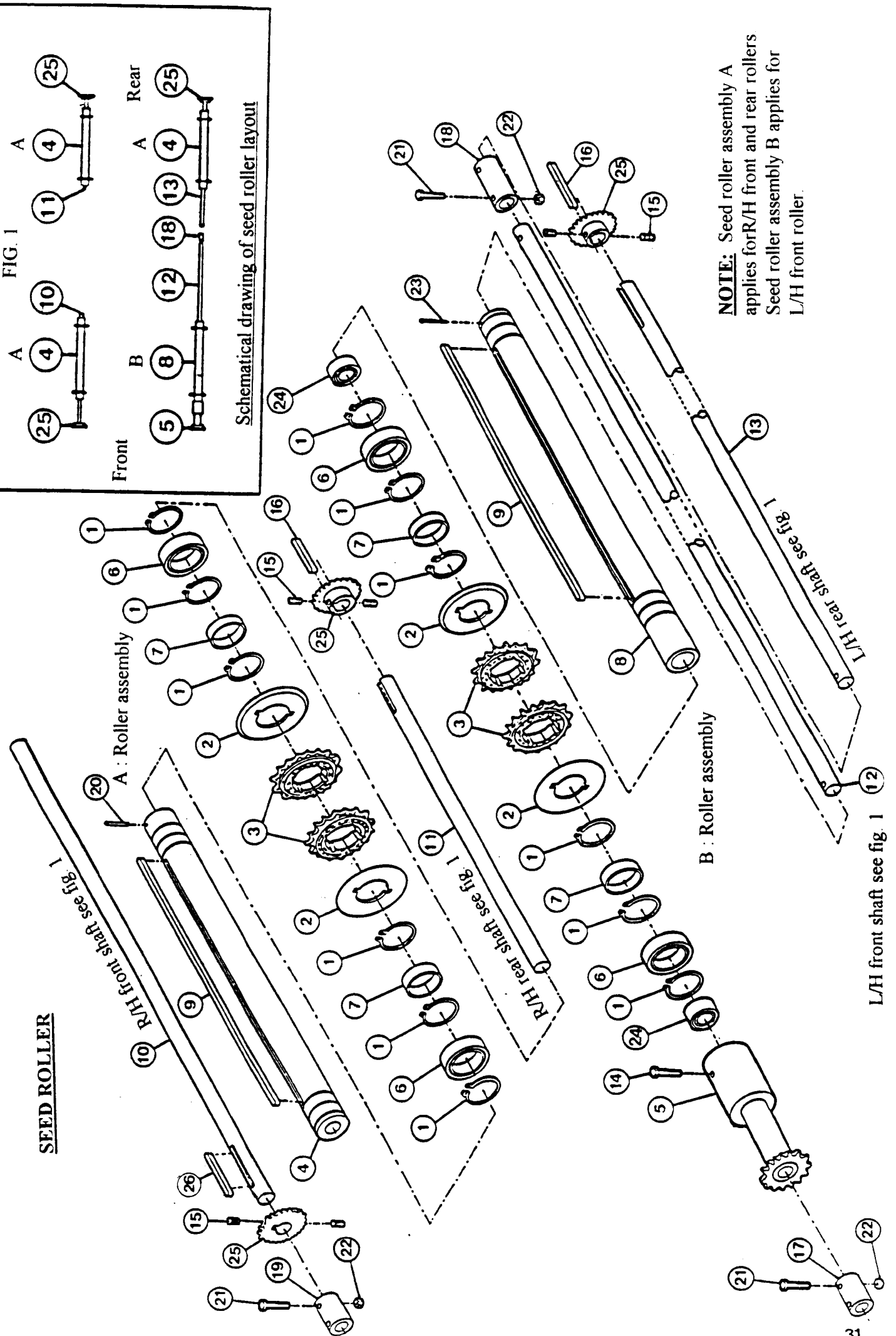


FIG. 1

Schematical drawing of seed roller layout

NOTE: Seed roller assembly A applies for R/H front and rear rollers
Seed roller assembly B applies for L/H front roller.

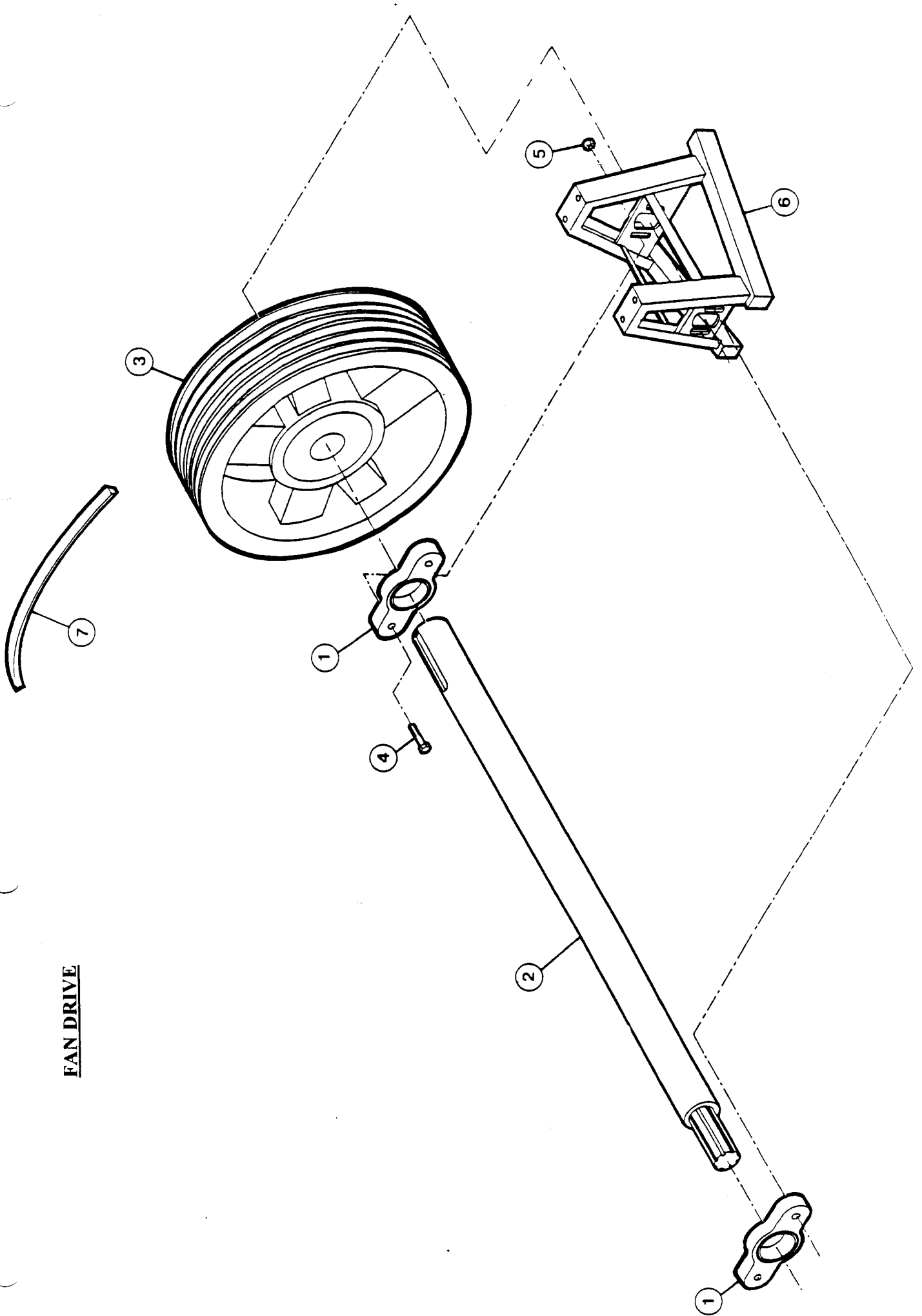
Description	Page no
Fan drive	33-34
Fan housing	35-36

FAN DRIVE

ITEM NO	DESCRIPTION	PART NO
①	Flange Bearing	LSRS UCFL 210
②	Flywheel drive shaft	LSAS 55406
3	Flywheel	LSAS 55403
4	M16x50 Bolt	M16 x 50 G
5	M16 Nut	M16GN
6	Fan chassis kit	LSAS 55450
⑦	(Includes pto cover mountings , excluding brawbar) V-Belt 13x1810	LSAS 55405

LSAS UCFL 210
LSAS 55406
LSAS 55403
M16 x 50 G
M16GN
LSAS 55450
LSAS 55405
LSAS 65206

FAN DRIVE

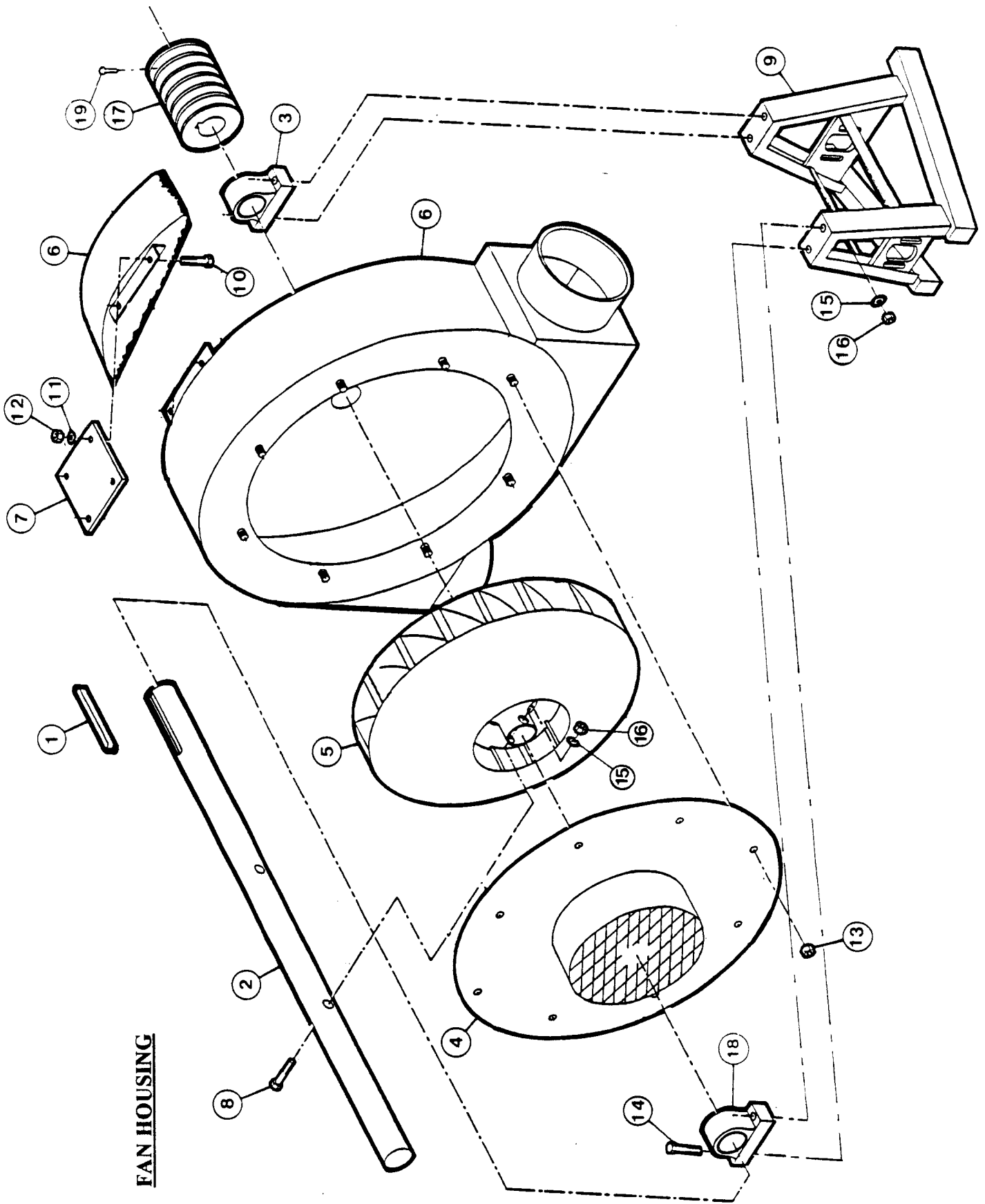


FAN HOUSING

ITEM NO	DESCRIPTION	PART NO
1	Key 100x10x8	LSAS 55558
2	Fan Drive shaft	LSAS 55404
3	Bearing pillar block	LSAS SY 35 FM
4	Fan cover	LSAS 55352
5	Fan Impeller	LSAS 6130
6	Fan housing	LSAS 55355
7	Spacer plate	LSAS 55468
8	M14 x 65 Bolt	M14 x 65G
9	Drawbar + chassis section	
10	M12 x 40 bolt	M12 x 40 G
11	M12 spring washer	M12GSW
12	M12 nut	M12 GN
13	M8 nut	M8 GN
14	M14 x 50 bolt	M14x 50G
15	M14 washer spring	M14 GSW
16	M14 nyloc nut	M14 NY
17	6 Groove pulley	LSAS 55407
18	Bearing	LSRS-UCP-207
19	M6 x 10 Grub screw	M6 x 10 GS

LSAS SY 507 FM

LSAS SY 507 FM



FAN HOUSING

Description

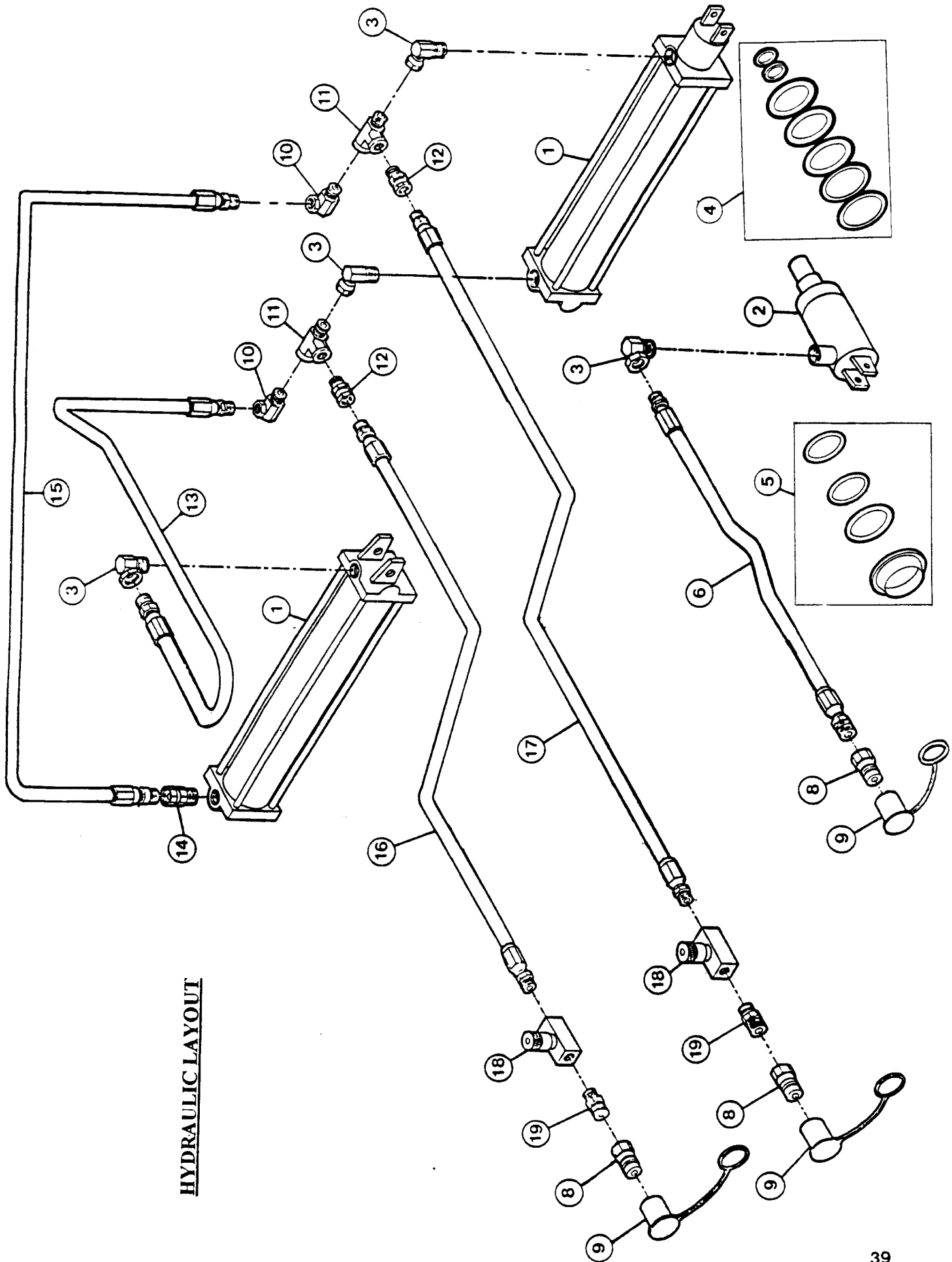
Page no

Hydraulic layout

38-39

HYDRAULIC LAYOUT

ITEM NO	DESCRIPTION	PART NO
①	Boom cylinder	LSAS 55203
②	Clutch cylinder	LSRS 1074
3	Male-female elbow	2107-8-6
④	Seal kit (boom cylinder)	DB 300-12-125
⑤	Seal kit (clutch cylinder)	LSRS 1074 SK
6	3/8" x 3.5 m Hydraulic hose	LSAS 55869
7	Hose nipple	0130-8-6
8	Nose piece	8010-4
9	Dust plug	5209-4 M
10	Male-female elbow	2107-6-6
11	Male T-piece	3/8 MROS
12	Male female adaptor	0107-6-6
13	3/8" x 2.5 m Hydraulic hose	LSAS 55870
14	Male female adaptor	0107-8-6
15	3/8" x 3.1 m Hydraulic hose	LSAS 55871
16	3/8" x 4.1 m Hydraulic hose	LSAS 55872
17	3/8" x 4.5 m Hydraulic hose	LSAS 55873
18	Float control valve	N 6005
19	Barrel nipple	1/2 x 3/8 FFS
	Hydraulic assembly complete	LSAS 55868



HYDRAULIC LAYOUT