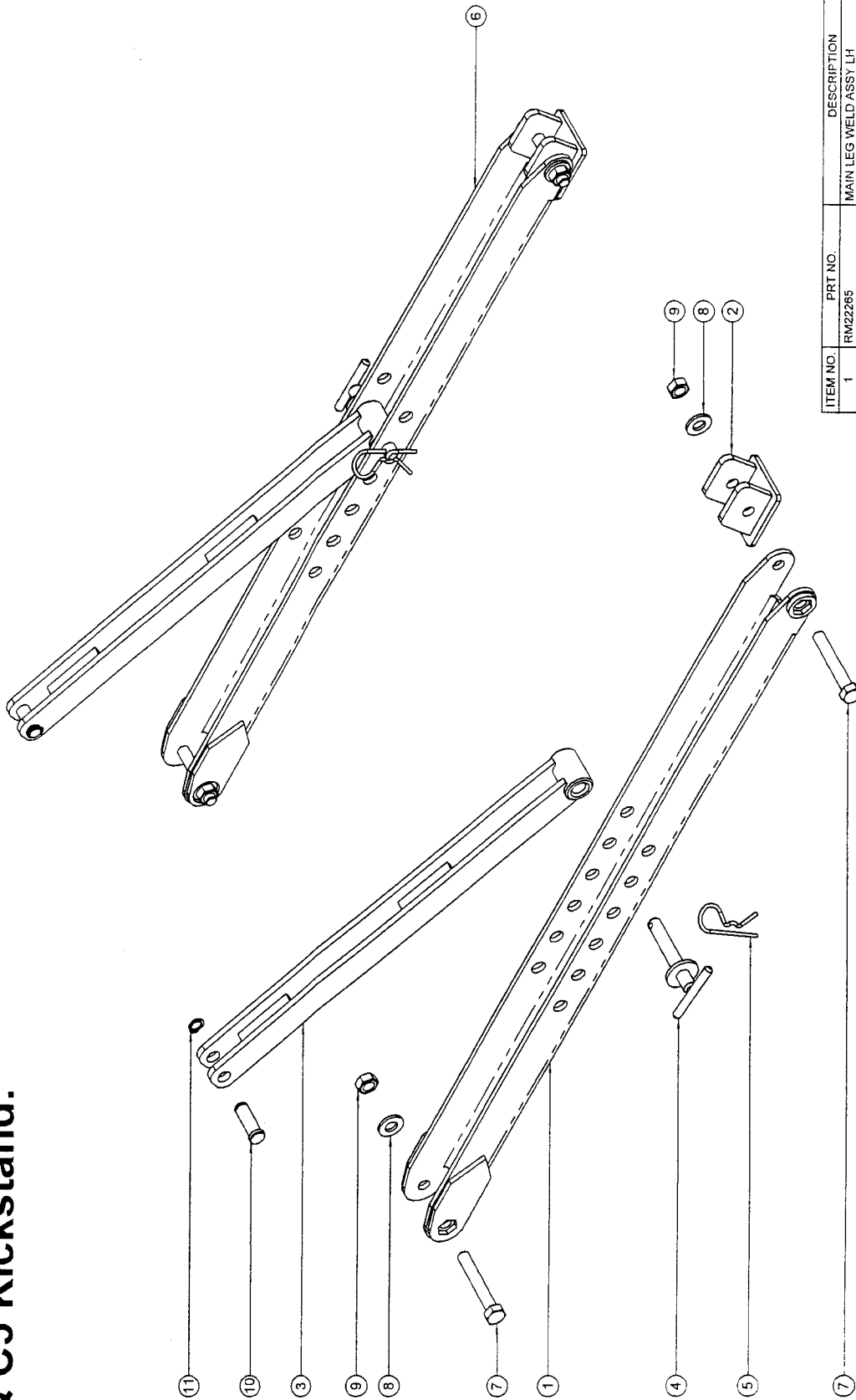


Mk3 & C5 Kickstand:



ITEM NO.	PRT NO.	DESCRIPTION	QTY.	CHECK
1	RM22285	MAIN LEG WELD ASSY LH	1	
2	RM22183	FOOTPIECE	2	
3	RM22194	BRACE	2	
4	RM22198	HOOING PIN	2	
5	S12RC	R-CLIP	2	
6	RM22286	MAIN LEG WELD ASSY RH	1	
7	M14 X 90G	M14 BOLT	4	
8	M14GFW	GALV FLAT WASHER	4	
9	M14NY	NYLOCK NUT	4	
10	RM22195	STRUT PIN	2	
11	M14CIR	DIN471 M16 EXTERNAL CIRCLIP	2	

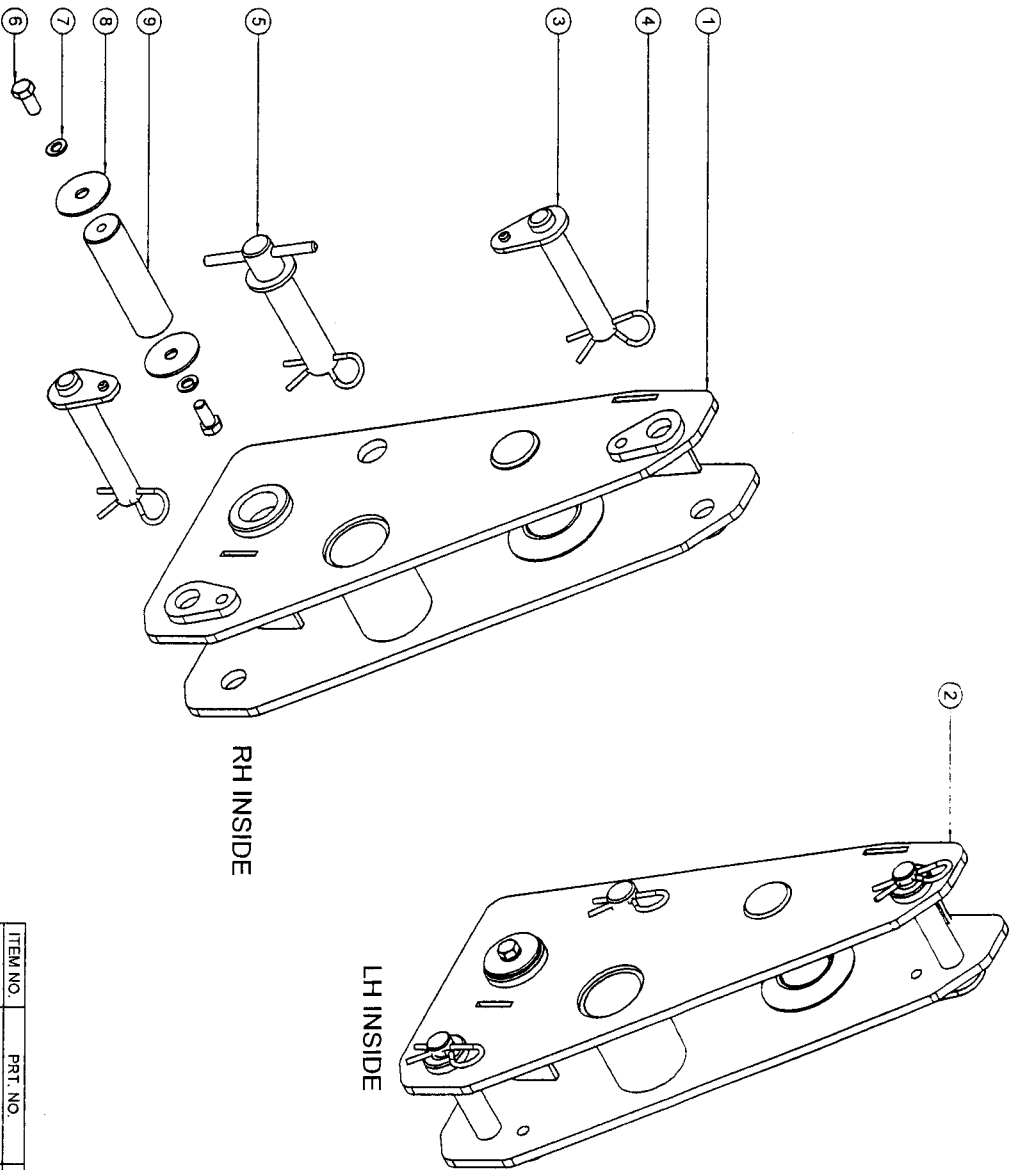
TITLE
KICK STAND CHECK LIST
 PRODUCT
F.E.L



SCALE: 1:5	SHEET: A3	DRAWING NO	SHEET REV
DRAWN BY: E. KROUKAMP		RM22200	1 of 1
DATE: 25.10.2007			P1

KIT NO.	PACKER.	SIGNATURE.	DATE.

C5 Bearing box set:



ITEM NO.	PRT. NO.	DESCRIPTION	QTY.	CHECK
1	RM22208	RH BEARING BOX WELD ASSY	1	
2	RM22204	LH BEARING BOX WELD ASSY	1	
3	RM22099	BEARING BOX PIN ASSY	4	
4	S13RC	R-CLIP	4	
5	RM22159	LOCK PIN	2	
6	M12X25GSS	M12 GALVANISED BOLT	4	
7	M12GSW	M12 SPRING WASHER	4	
8	RM22120	SPECIAL M12 WASHER	4	
9	RM22118	SLIDER PIN	2	

TITLE
BEARING BOX CHECK LIST

PRODUCT:
CS F.E.L.



KIT NO.

PACKER.

SIGNATURE.

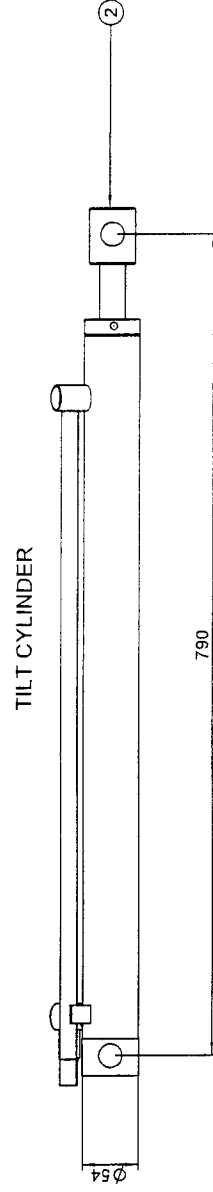
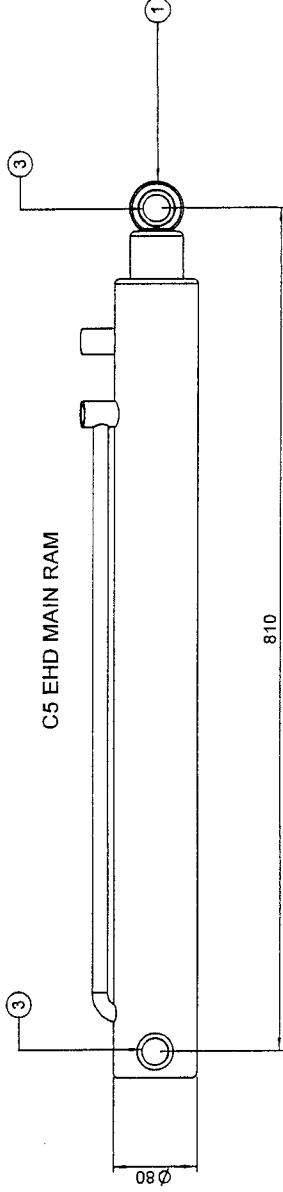
DATE.

SCALE: 1:5 SHEET: A3
DRAWN BY: E. KROUKAMP
DATE: 25.10.2007

DRAWING NO:
RFL 22 C

SHEET NO:
1 OF 1
P 1

C5 Extra HD Cylinder set.



ITEM NO.	PRT. NO.	DESCRIPTION	QTY.	CHECK.
1	RL382	EHD MAIN RAM CYL	2	
2	RL395	TILT CYLINDER ASSY	2	
3	RM22220	C5 PIVOT BUSH (GA)	8	

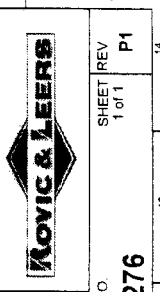
TITLE
CYLINDER CHECK LIST

PRODUCT
C5 EHD F.E.L.

SCALE: 1:5 SHEET: A3
DRAWN BY: E. KROUKAMP
DATE: 29.10.2007

DRAWING NO.
RM22276

SHEET REV
1 of 1 P1



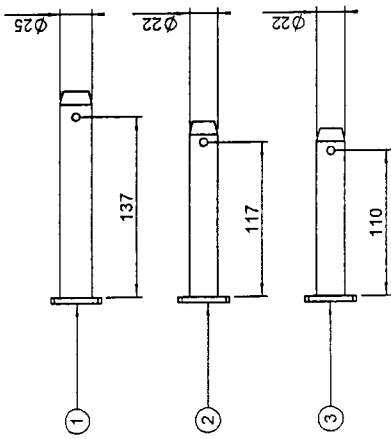
DATE.

SIGNATURE.

PACKER.

KIT NO.

C5 Extra HD fastener & sundry items:



8



9



10



13



14



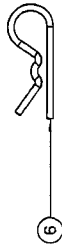
15



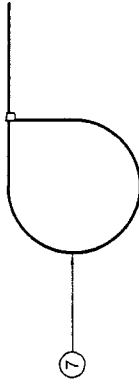
4



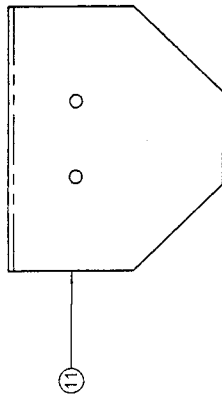
5



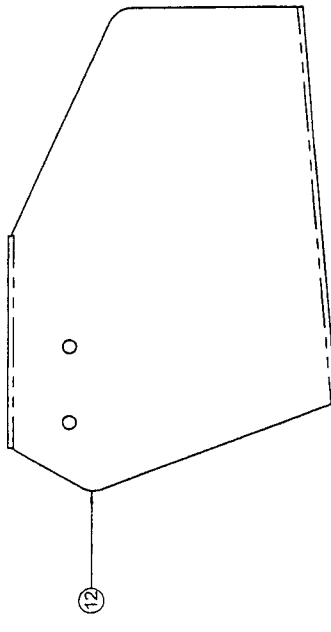
6



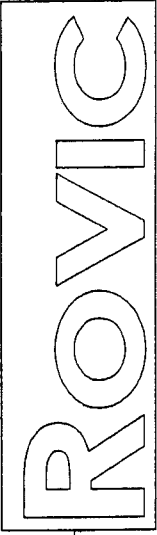
7



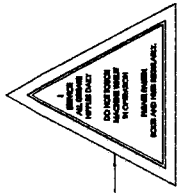
11



12



16



17



18

ITEM NO.	PRT. NO.	DESCRIPTION	QTY.	CHECK
1	319	Ø25 PIN - LONG ASSY	4	
2	317	Ø22 PIN - LONG ASSY	2	
3	318	Ø22 PIN - SHORT ASSY	2	
4	1-8BSFSTR	GREASE NIPPLE	2	
5	1-8BSF90	90 DEG GREASE NIPPLE	2	
6	S13RC	R-CLIP	8	
7	4-8x38ICT	CABLE TIE	4	
8	SGX25	BLACK SPIRAL (3m)	1	
9	RFL316	CLAMP BLOCK (HRZ3KP20-20PP)	16	
10	RFL317	TOP PLATE (HRZ3DPST2NC)	8	
11	RM22258	EX & HD LH COVERE PLATE	1	
12	RM22259	EXHD RH COVERE PLATE	1	
13	MBX46G	GALV BOLT	6	
14	MBX55G	GALV BOLT	4	
15	MBX60G	GALV BOLT	2	
16	R045	ROVIC STICKER	2	
17	JS024	WARNING STICKER	2	
18	PA-22-1	SIGNAL BLACK PAINT (1L)	1	

TITLE
FASTNERS & SUNDRY CHECK LIST
PRODUCT
C5 EHD F.E.L.



KIT NO.

PACKER.

SIGNATURE.

DATE.

SCALE: 1:4 SHEET: A3
DRAWN BY: E. KROUKAMP
DATE: 25.10.2007

DRAWING NO.
RM22277

SHEET REV
1 of 1 P1