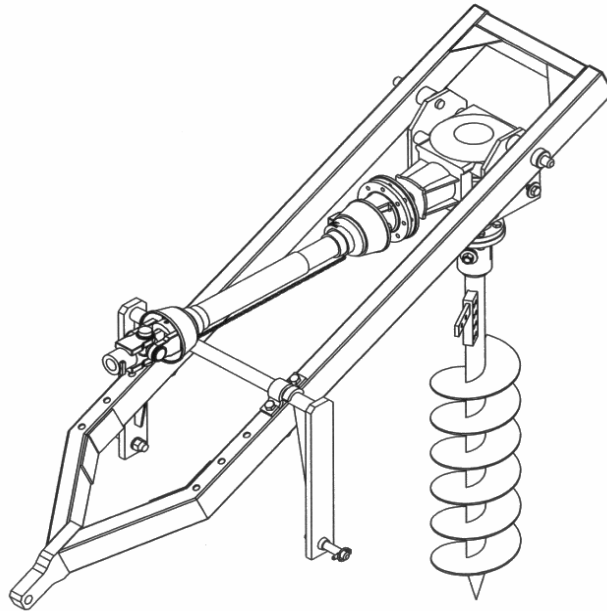




Post Hole Digger



Operators & Parts Manual

Book part no: PD13002

Branches

Cape Town
Tel: (021) 907 1700
Fax: (021) 907 1760

Johannesburg
Tel: (011) 396 6200
Fax: (011) 396 6220

Pietermaritzburg
Tel: (033) 346 2727
Fax: (033) 346 2746

www.rovicleers.co.za

Effective Date: September 06

POST HOLE DIGGER

INDEX

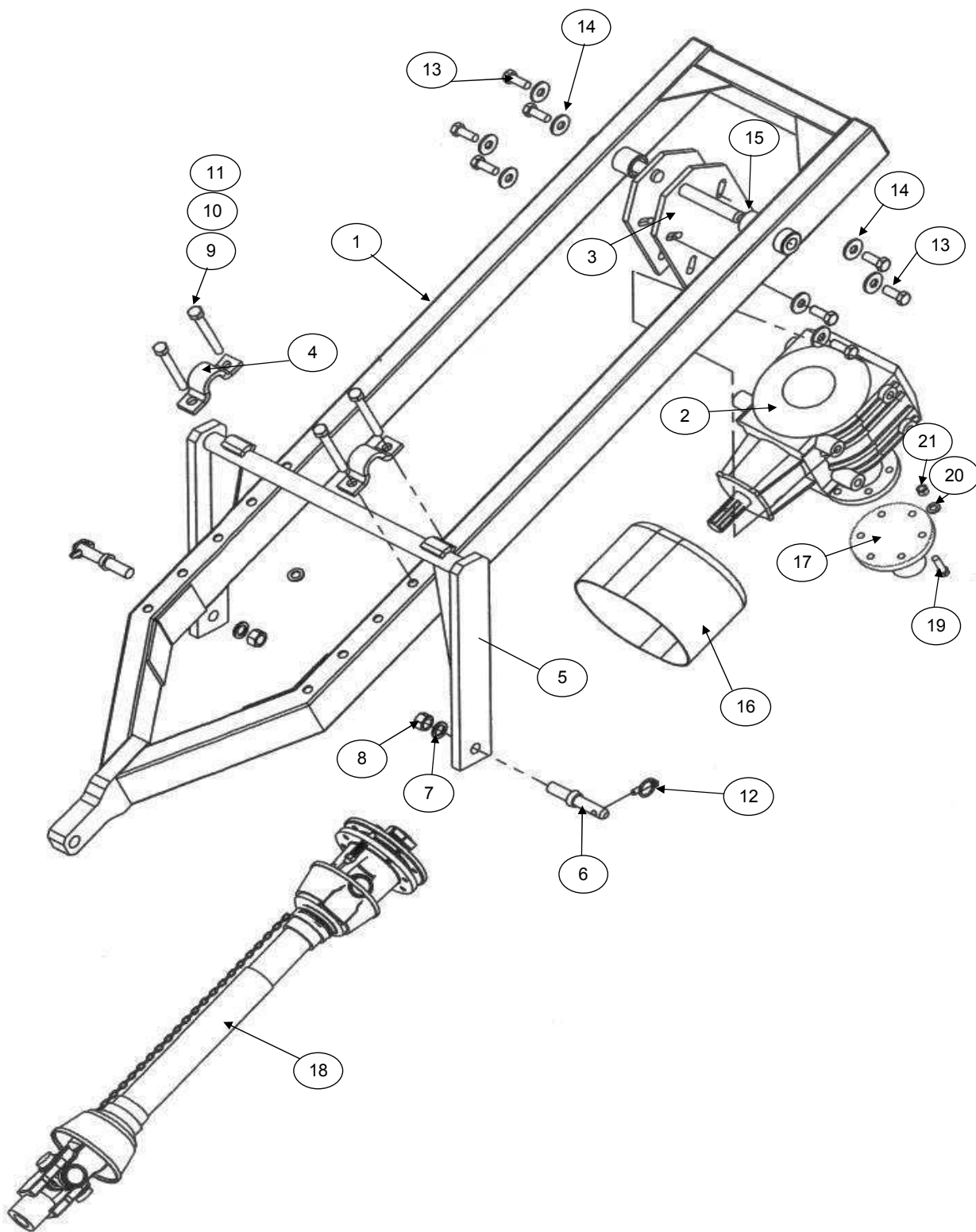
PAGES	DESCRIPTION
<u>Operators manual</u>	
1	Safety
1	Assembly
2	Mounting to the tractor
3	P.T.O. Shaft
4	Operating your Post hole digger
5	Lubrication & maintenance
<u>Parts manual</u>	
5 - 6	Frame assembly parts
7 - 8	150mm (6") Auger
9 - 10	230mm (9") Auger
11 - 12	300mm (12") Auger
13 - 14	450mm (18") Auger
15 - 16	P.T.O. Parts
17 - 18	Gearbox parts
19	Stickers
20	Warranty

WHEN ORDERING SPARE PARTS. PLEASE STATE:

- 1 Model, Serial Number & Size
- 2 Part number & description (of the spare part)
- 3 Number of parts required
- 4 Forwarding instructions
- 5 Correct name & Address of destination
- 6 Order number of approved Rovic & Leers dealer
- 7 Contact detail of recipient. (Consignee)

POST HOLE DIGGER

MAIN FRAME



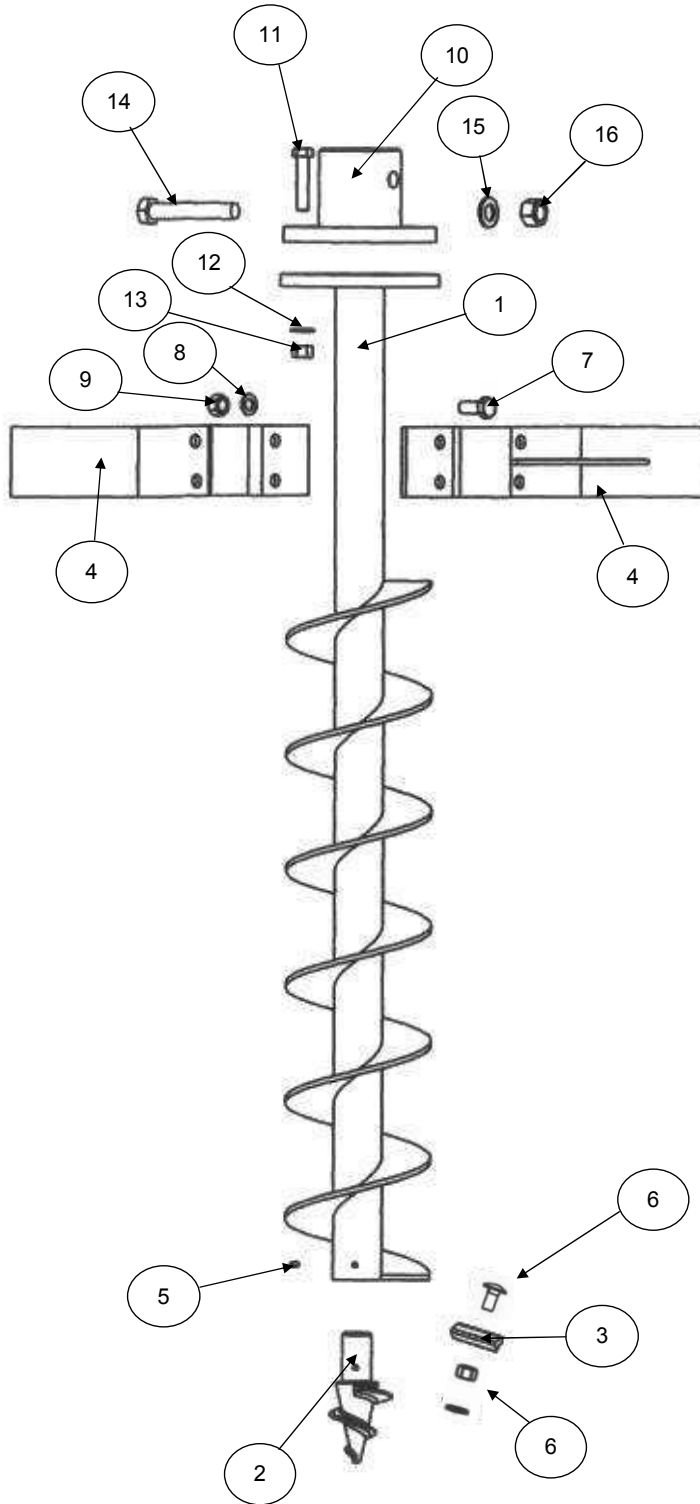
POST HOLE DIGGER

MAIN FRAME

ITEM NO.	PART NUMBER	DESCRIPTION	QTY
1	PD13210	Main frame	1
2	PD13231	25 Kw Gearbox	1
3	PD13205	Gearbox mounting plates	2
4	PD13006	Pivot bracket	2
5	PD13203	Lifting bracket	1
6	S200P	Pin	2
7	M22GSW	Galv. Spring washer	2
8	M22GN	Galv. Nut	2
9	M16X130G	Galv bolt	4
10	M16GFW	Galv. Flat washer	4
11	M16NY	Nyloc nut	4
12	S40LP	Lynch pin	2
13	M16X40GSS	Galv. Bolt	8
14	M16GFW	Galv. Flat washer	8
15	PD13230	Spacer bush	2
16	LT57621	PTO safety cover	1
17	PD13101	Mounting flange - Rovic	1
18	PD13215	22Kw PTO	1
19	M12X50G	Galv. Bolt	6
20	M12GFW	Galv. Flat washer	6
21	M12NY	Nyloc nut	6

POST HOLE DIGGER

AUGER 150MM (6") - ZAGA



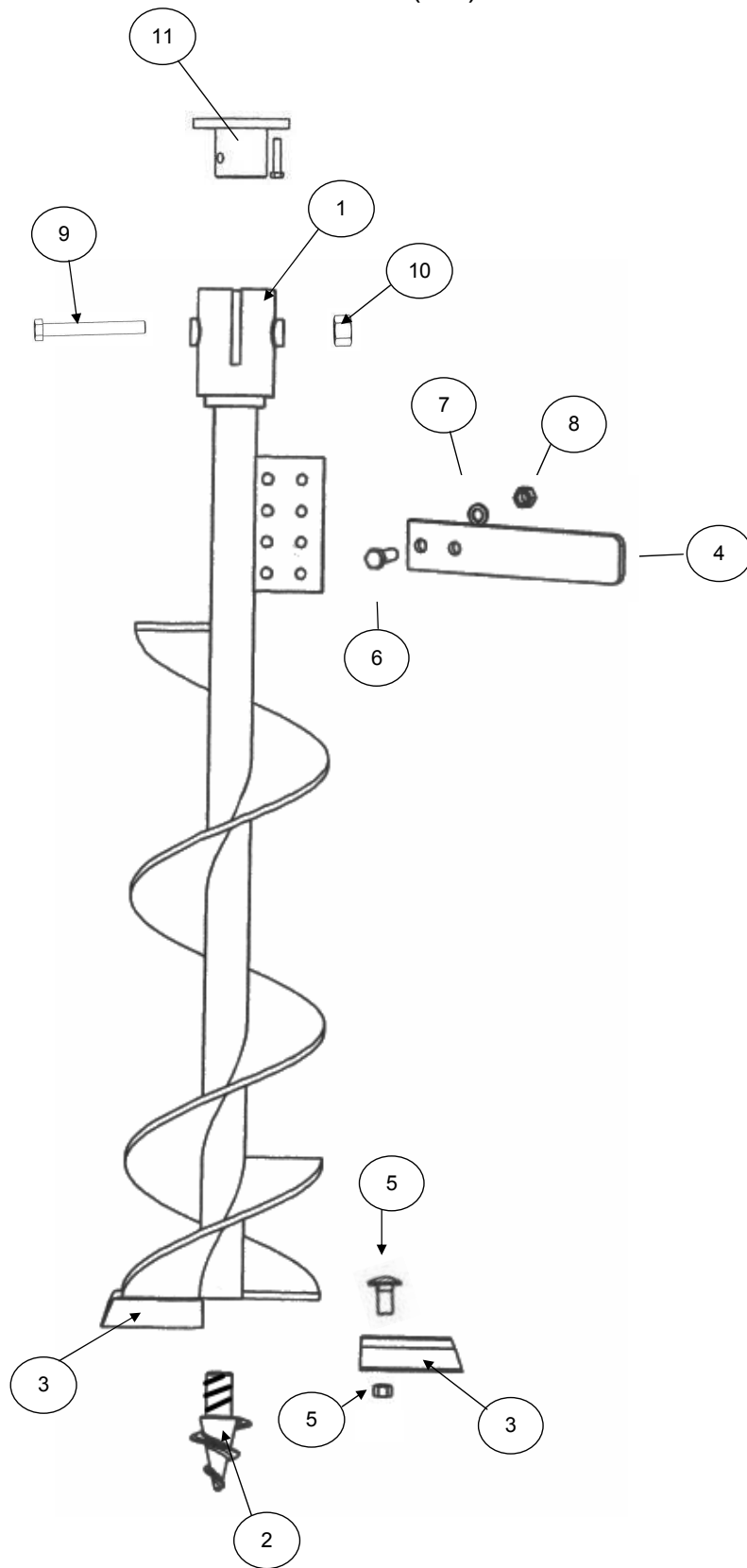
POST HOLE DIGGER

AUGER 150MM (6") - ZAGA

ITEM NO.	PART NUMBER	DESCRIPTION	QTY
1	UZAT150	150mm (6") Auger	1
2	ZA3	Auger point	1
3	ZA16	Cutter bit	1
4	ZAAH0302	Scraper arm	2
5	ZA10	Roll pin	
6	ZA15	Bolt & nut	1
7	M12X45GSS	Galv. Bolt	4
8	M12GSW	Galv. Spring washer	4
9	M12GN	Galv. Nut	4
10	PD13228	Zaga to Rovic adaptor	6
11	M12X45GSS	Galv. Bolt	6
12	M12GFW	Galv. Flat washer	6
13	M12NY	Nyloc nut	

POST HOLE DIGGER

AUGERS 230MM (9") - ROVIC



POST HOLE DIGGER

AUGERS 230MM (9") - ROVIC

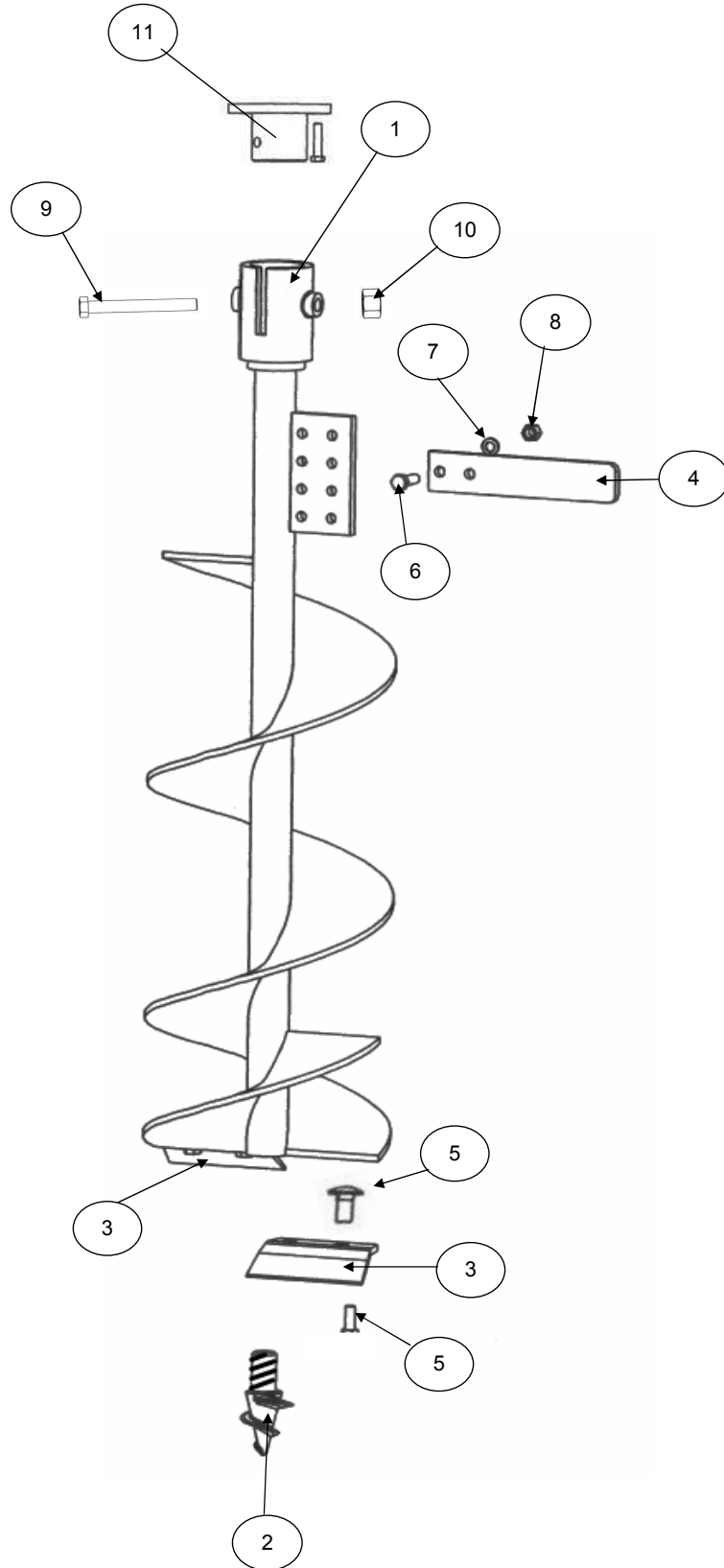
ITEM NO.	PART NUMBER	DESCRIPTION	QTY
1	AAPD03	230mm (9") Auger	1
2	PD13111	Drill point	1
3	PD13110	Drill blade	2
4	PD13026	Scraper flat	1
5	PD13115	Bolts & nuts	4
6	M12X45GSS	Galv. Bolt	2
7	M12GSW	Galv. Spring washer	2
8	M12GN	Galv. Nut	2
9	M16X130G	Galv. Bolt	1
10	M16NY	Nyloc nut	1

Optional when using on Zaga Post hole digger

11	PD13101	Rovic to Zaga adaptor	1
----	---------	-----------------------	---

POST HOLE DIGGER

AUGERS 300MM (12") - ROVIC



POST HOLE DIGGER

AUGERS 300MM (12") - ROVIC

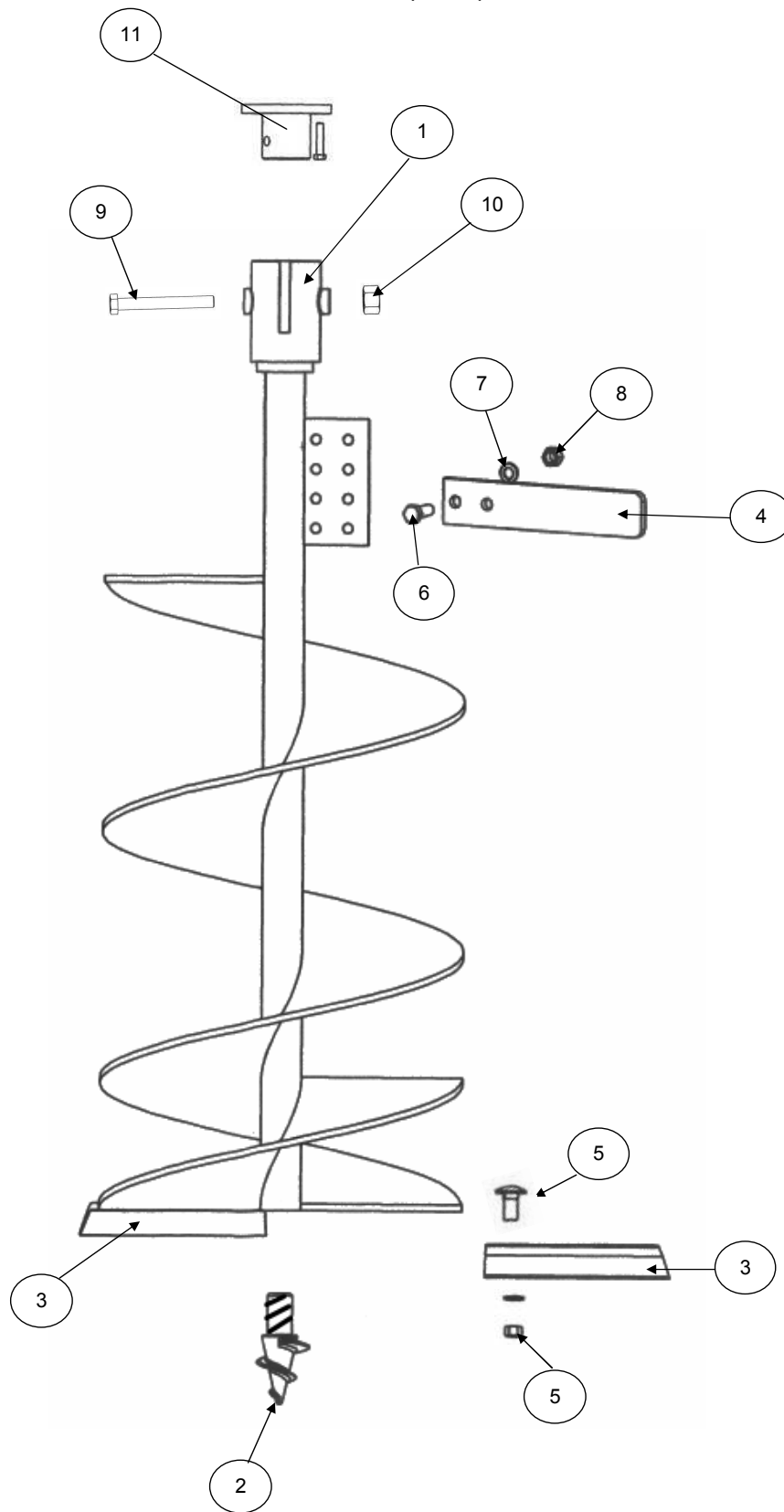
ITEM NO.	PART NUMBER	DESCRIPTION	QTY
1	AAPD04	300mm (12") Auger	1
2	PD13111	Drill point	1
3	PD13113	Drill blade	2
4	PD13026	Scraper flat	1
5	PD13115	Bolts & nuts	4
6	M12X45GSS	Galv. Bolt	2
7	M12GSW	Galv. Spring washer	2
8	M12GN	Galv. Nut	2
9	M16X130G	Galv. Bolt	1
10	M16NY	Nyloc nut	1

Optional when using on Zaga Post hole digger

11	PD13101	Rovic to Zaga adaptor	1
----	---------	-----------------------	---

POST HOLE DIGGER

AUGERS 450MM (18") - ROVIC



POST HOLE DIGGER

AUGERS 450MM (18") - ROVIC

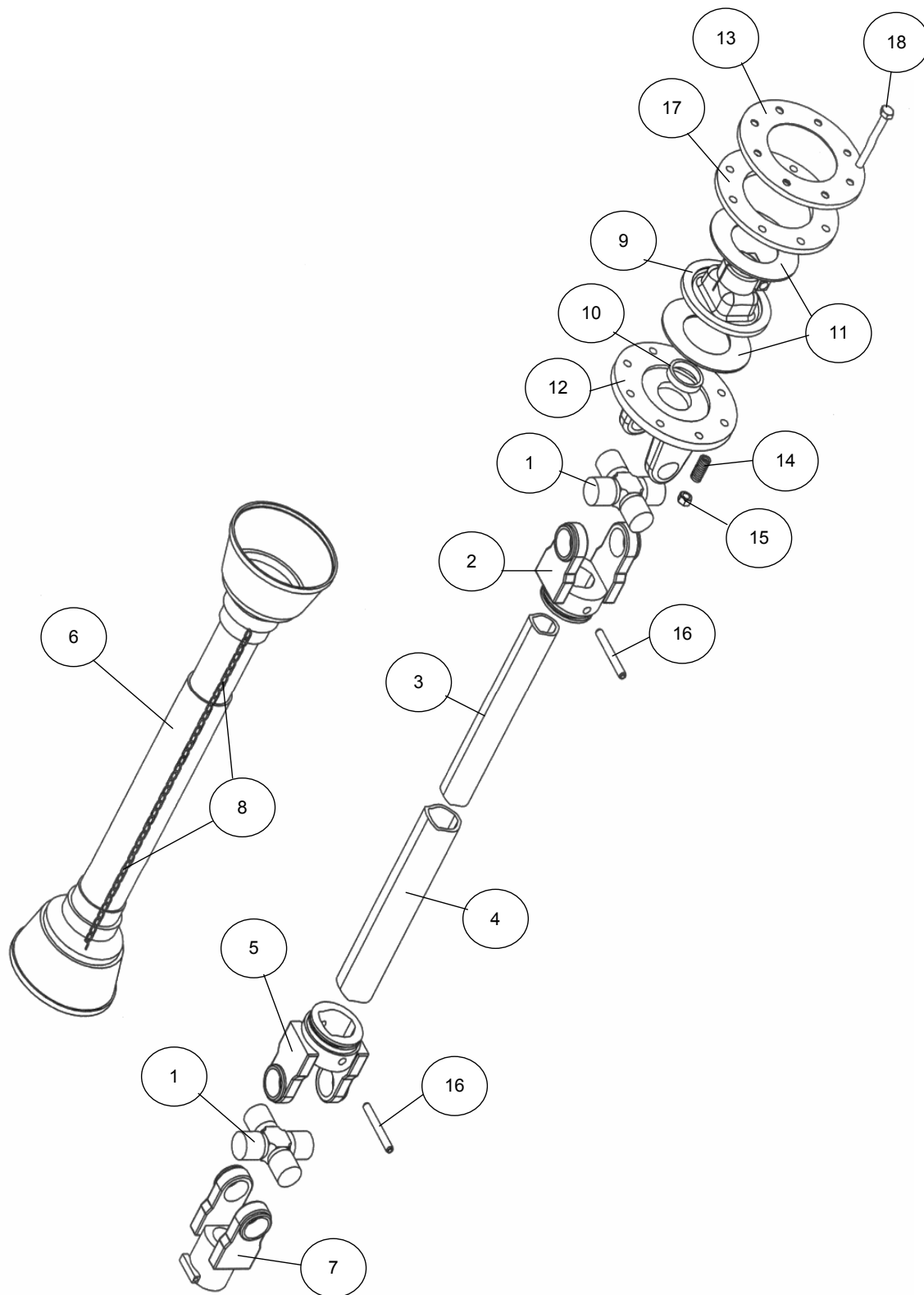
ITEM NO.	PART NUMBER	DESCRIPTION	QTY
1	AAPD06	450mm (18") Auger	1
2	PD13111	Drill point	1
3	PD13116	Drill blade	2
4	PD13026	Scraper flat	1
5	PD13115	Bolts & nuts	6
6	M12X45GSS	Galv. Bolt	2
7	M12GSW	Galv. Spring washer	2
8	M12GN	Galv. Nut	2
9	M16X130G	Galv. Bolt	1
10	M16NY	Nyloc nut	1

Optional when using on Zaga Post hole digger

11	PD13101	Rovic to Zaga adaptor	1
----	---------	-----------------------	---

POST HOLE DIGGER

23 Kw SLIP CLUTCH P.T.O. PARTS



POST HOLE DIGGER

23 Kw SLIP CLUTCH P.T.O. PARTS

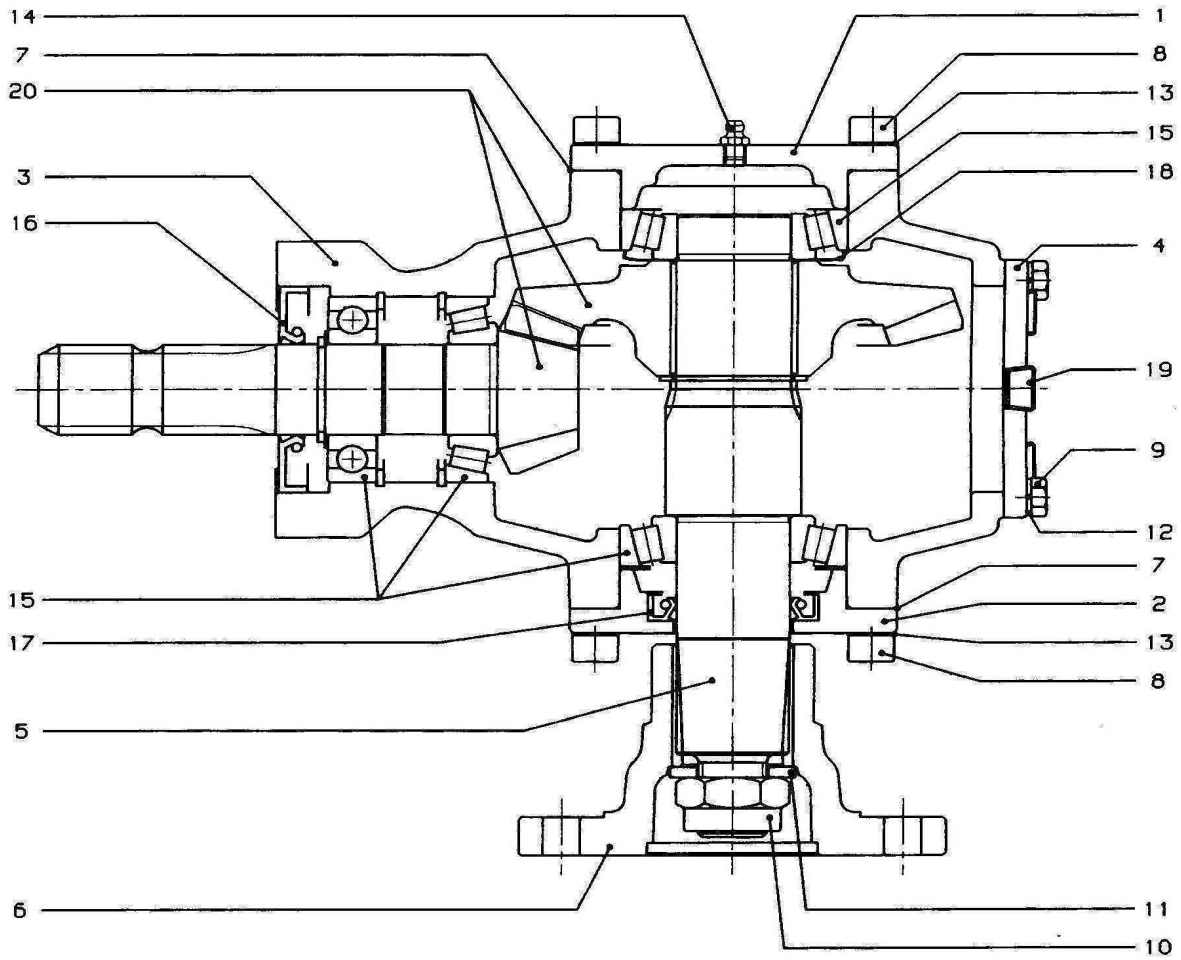
Series 4 PTO, Binacchi make - model BiB4 150 FF2

ITEM NO.	PART NUMBER	DESCRIPTION	QTY
1	BP41204	441 Cross	2
2	BI08004011	407 Yoke - inner	1
3	BI098813641000	404 Tubing - inner	1
4	BI098814331000	303 Tubing - outer	1
5	BI08004021	406 Yoke - outer	1
6	BI083B04150	SN04121 - Cover	1
7	BI0800403A60	40507 Quick release yoke	1
8	Chain	1
9	BI0869107A60	380461 Support - 1 3/8" Z6	1
10	BP258005320	680202 - Bush	1
11	BI09833140	380301 - Linning	2
12	BI086910104	3801C2 - Flange	1
13	BP248220007	4805A2 - Pressure plate	1
14	BI09845236035	6806 Spring	8
15	M10NY	Nyloc nut	8
16	BI098700860	412 Roll pin	2
17	BP248220008	4811A1 Inner plate	1
18	M10X90G	Galv. Bolt	8
19	B10265140005	Nylon wear ring	1
20	B10265240006	Nylon wear ring	1

1 - 18 PD13215 PTO complete

POST HOLE DIGGER

GEARBOX PARTS



POST HOLE DIGGER

GEARBOX PARTS

Bondioli & Pavesi Gearbox, model S2063310F102

ITEM NO.	PART NUMBER	DESCRIPTION
1	29000A001	Top cover
2	29000A002	Bottom cover
3	290260206	Casing
	290260204	
4	29065A002	End cover
5	295244007	Spline
	295244006	
6	298103504	Auger adaptor
7	298538000	Seal
8	303003400	Bolt
9	319024200	Bolt
10	330024002	Nut
11	33205000	Washer
12	335008002	Washer
13	336010001	Washer
14	348006000	Breather
15	354101035	Bearing
	354401035	
	354401040	
16	355006035	Seal
17	355011040	Seal
18	355013040	
19	373010000	Filler cap
20	448193500R	Gear
	448310500R	
	447450401R	

1 - 20 PD13214

Gearbox complete

POST HOLE DIGGER

STICKERS



ITEM NO.	PART NUMBER	DESCRIPTION	QTY
1	R043	Rovic	2

POST HOLE DIGGER

STICKERS



ITEM NO.	PART NUMBER	DESCRIPTION	QTY
1	R043	Rovic	2