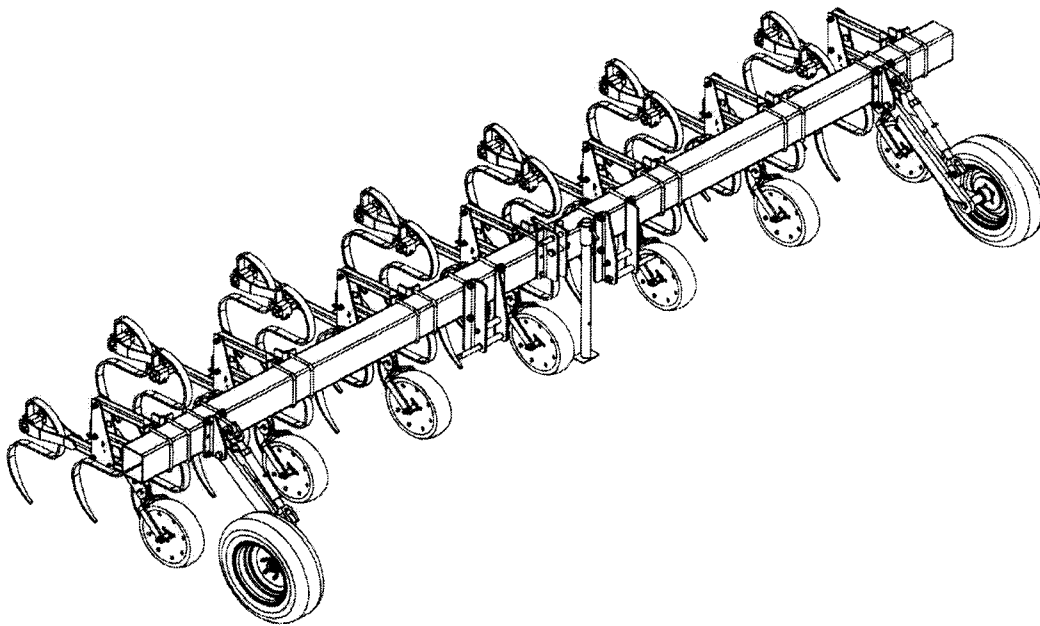




# INTERROW CULTIVATOR



# Operators & Parts Manual

## Branches

Cape Town  
Tel: (021) 907 1700  
Fax: (021) 907 1760

Johannesburg  
Tel: (011) 976 3070  
Fax: (011) 976 1738

Pietermaritzburg  
Tel: (033) 346 2727  
Fax: (033) 346 2746

[www.rovicleers.co.za](http://www.rovicleers.co.za)

Effective Date: September 2007

# INTERROW CULTIVATOR

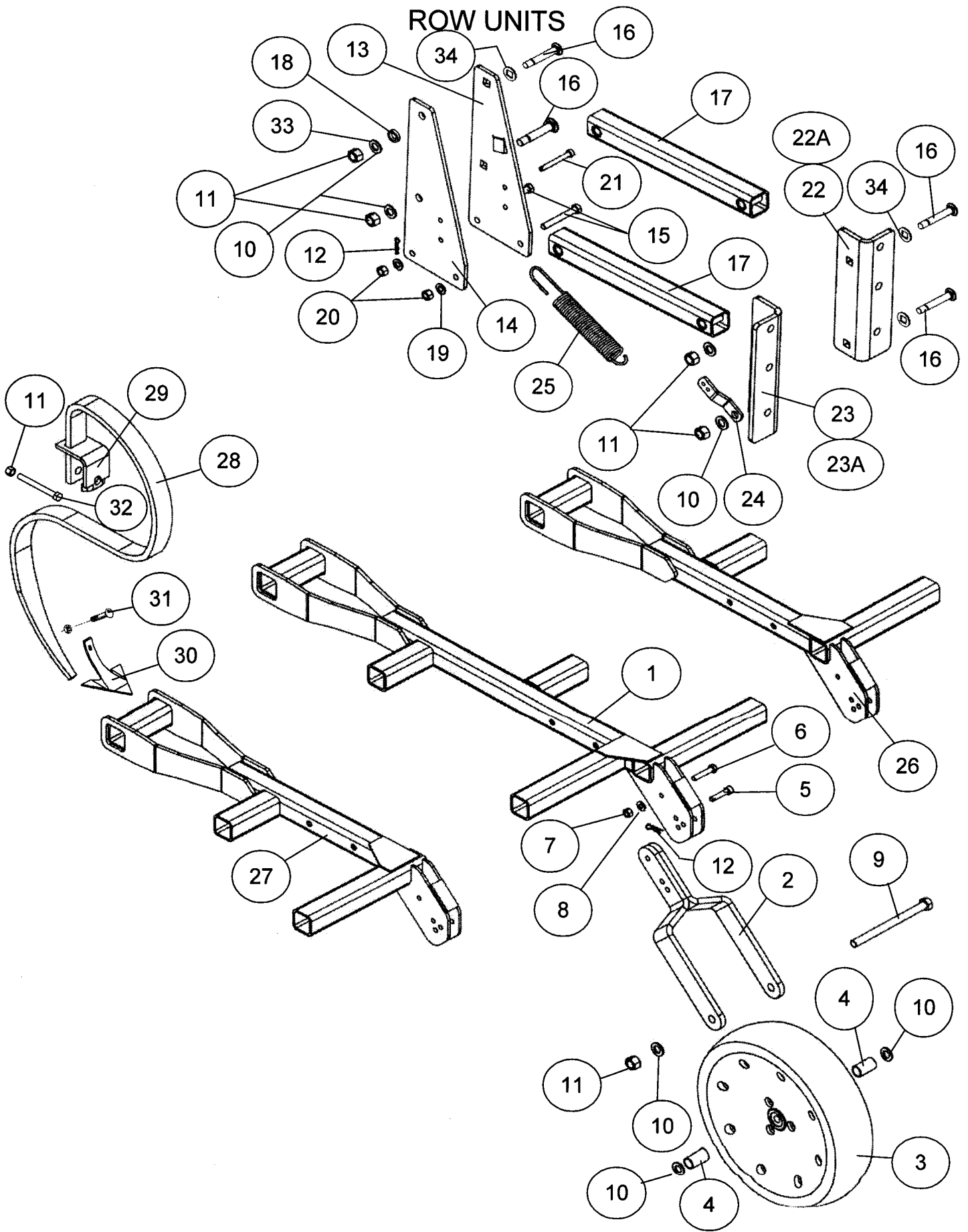
## INDEX

<b>PAGES</b>	<b>DESCRIPTION</b>
	<b><u>Operators Manual</u></b>
1 - 3	Safety
4 -5	Preparing the Tractor
5 - 8	Preparing the Cultivator
8	Transporting
9 - 10	Operating the Cultivator
11	Troubleshooting
11	Lubrication
12	Service
	<b><u>Parts Manual</u></b>
13 - 14	Row units complete
15 - 16	Press wheel
18 -19	2 Row 2.3m frame
20 - 21	3 Row 1.5m frame
22 - 23	3 Row 2,3m frame
24 - 25	4 Row 0.9m frame
26 - 27	5 Row 1.5m frame
28 - 29	6 Row 0.9m frame
30 - 31	8 Row 0.9m frame
32 - 33	10 Row 0.76m frame
34 - 35	12 Row 0.76m frame
36 - 37	600 x 14 Wheel set
38	Stickers
39 - 41	Frame Lay-out
42	Warranty

### **WHEN ORDERING PARTS, PLEASE STATE:**

- 1 Model, Serial Number & Size - No of tines (of the implement.)
- 2 Part number & description (of the spare part)
- 3 Number of parts required
- 4 Forwarding instructions
- 5 Correct name & Address of destination
- 6 Order number of approved Rovic & Leers dealer
- 7 Contact detail of recipient. (Consignee)

# INTERROW CULTIVATORS



# INTERROW CULTIVATORS

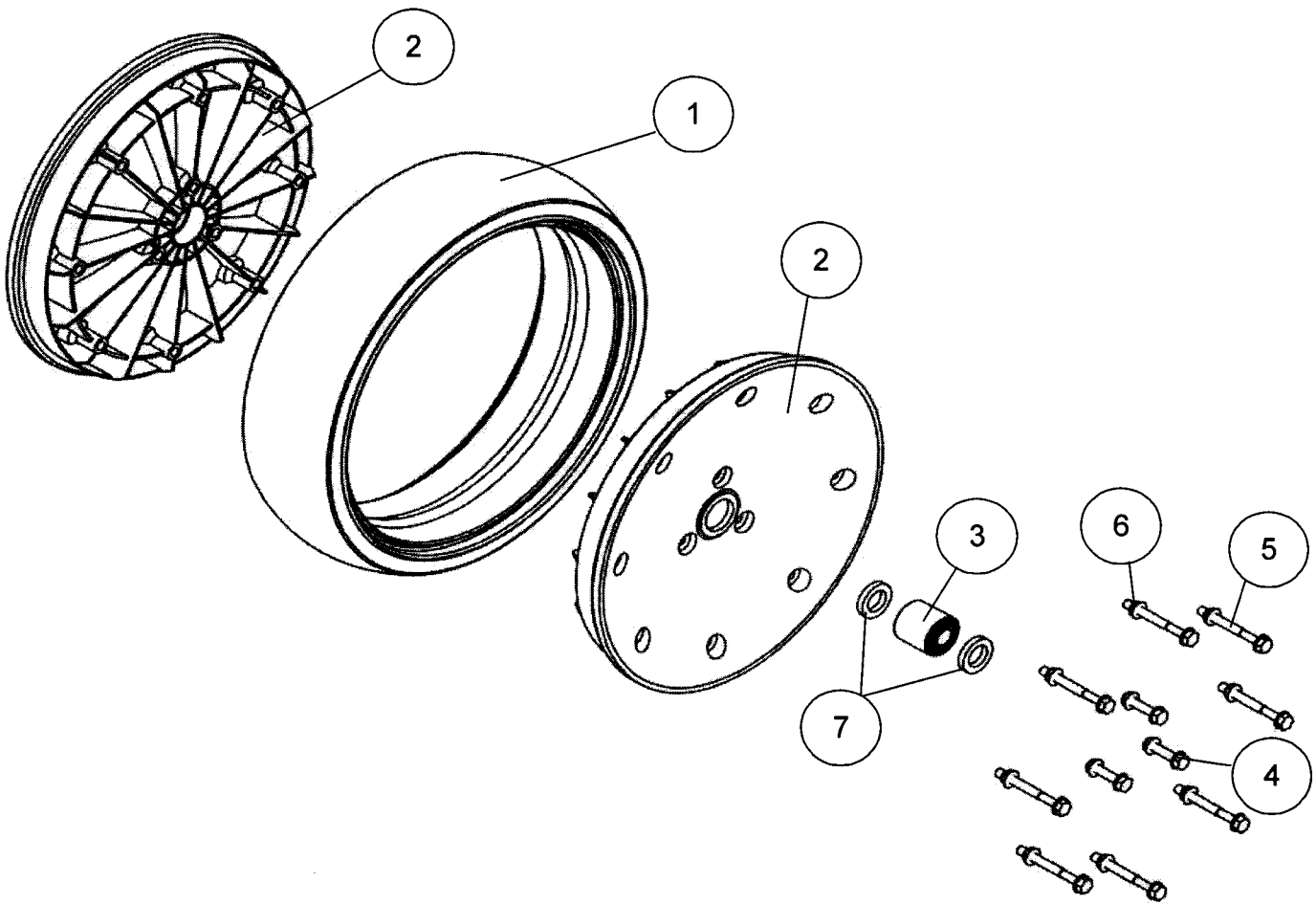
## ROW UNITS

ITEM NO.	PART NUMBER	DESCRIPTION	QTY.
1	IC00040	Mid section tine carry bar	1
2	IC00055	Tine wheel arm welded assy	1
3	AN231758	Tine wheel	1
4	IC00070	Tine wheel spacer	2
5	IC00089	Tine wheel pin	1
6	M10X50G	Galv. bolt	1
7	M10NY	Nyloc nut	1
8	M10GFW	Galv. Flat washer	1
9	M16X200G	Galv. bolt	1
10	M16GFW	Galv. Flat washer	7
11	M16NY	Nyloc nut	5
12	S8R	2mm R-Clip	2
13	IC00075	Tine bar plate - LH	1
14	IC00044	Tine bar plate - RH	1
15	M12X90G	Galv. bolt	2
16	M16X100GSQN	Galv. Square neck bolt	4
17	IC00046	Rocker arm welded assy	2
18	IC00077	Spring roller	1
19	M12GFW	Galv. Flat washer	2
20	M12NY	Nyloc nut	2
21	IC00078	Limiter pin	1
22	IC00048	Clamping bracket - LH	1
↔ 22A	IC10072	Clamping bracket - LH	1
23	IC00043	Clamping bracket - RH	1
↔ 23A	IC10071	Clamping bracket - RH	1
24	IC00051	Spring plate	1
25	IC00176	Spring	1
26	IC00042	Wing tine carry assy - RH	1
27	IC00041	Wing tine carry assy - LH	1
28	CJ18543	S-Tine	5 / 3
29	CJ17474	Clamp	5 / 3
30	CJ7570	9" Share	5 / 3
31	M10X45CSK	Plough bolt & nut	5 / 3
32	M16X90G	Galv. bolt	5 / 3
33	IC00181	Washer	1
34	IC00183	Square washer	4

↔ Only used on the centre unit of 12 row 0.762 machine

# INTERROW CULTIVATOR

## PRESS WHEEL - IC00069



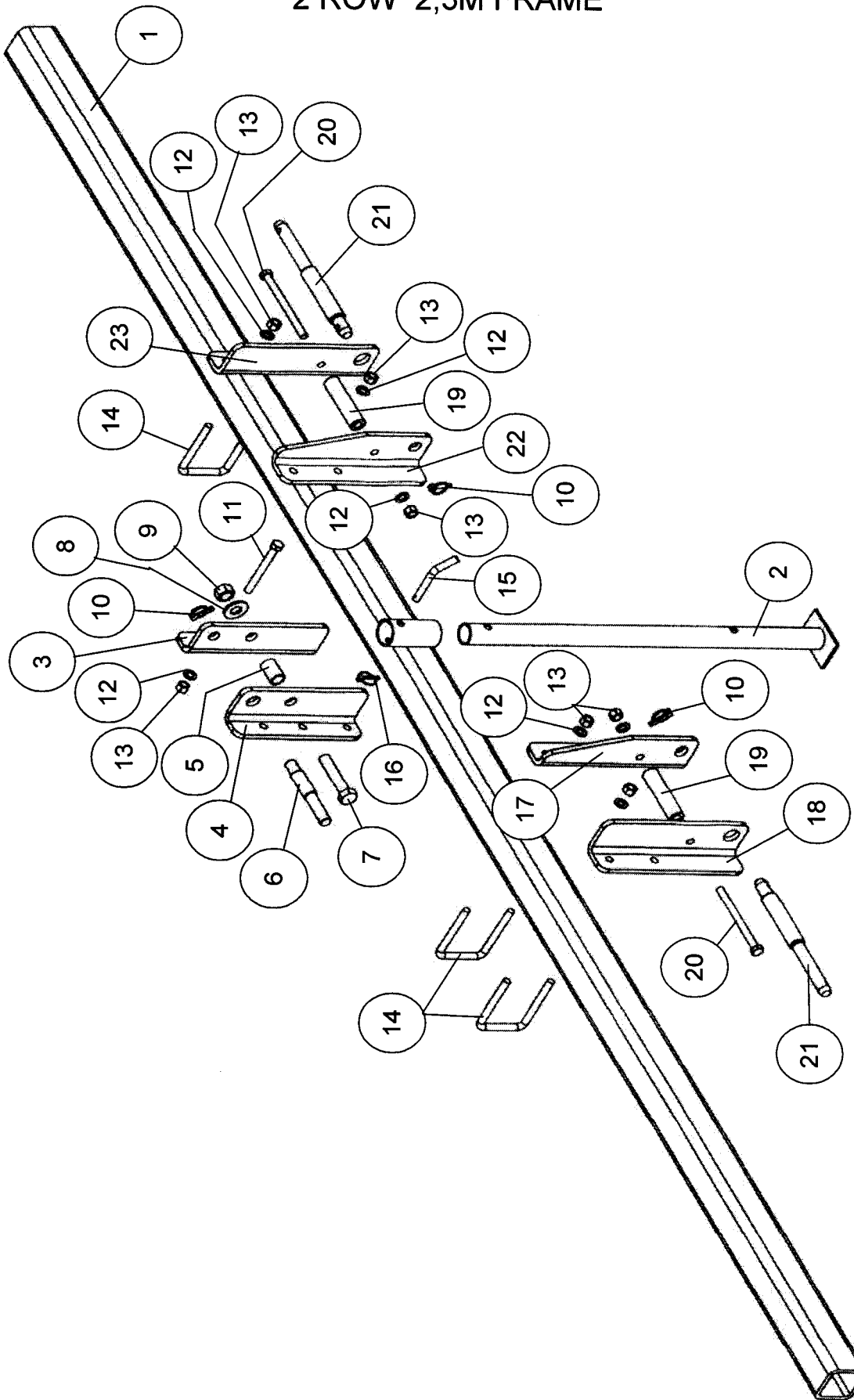
# INTERROW CULTIVATOR

## PRESS WHEEL - IC00069

ITEM NO.	PART NUMBER	DESCRIPTION	QTY.
1	IC00177	4 x 16 Chevron thread tyre (258240416P)	1
2	IC00178	4 x 16 Nylon wheel hubs (521516JD)	2
3	IC00179	Peer 40mm double row bearing (AG301P)	1
4	M8X40FB	M8 x 40mm Grade 5 Flanged bolt (Ag209)	3
5	M8X76FB	M8 x 76mm Grade 5 Flanged bolt (Ag210 )	8
6	M8FN	M8 Flanged hex nut (Ag251 )	11
7	IC00191	Felt washers	2

# INTERROW CULTIVATOR

## 2 ROW 2,3M FRAME



# INTERROW CULTIVATOR

## 2 ROW 2,3M FRAME

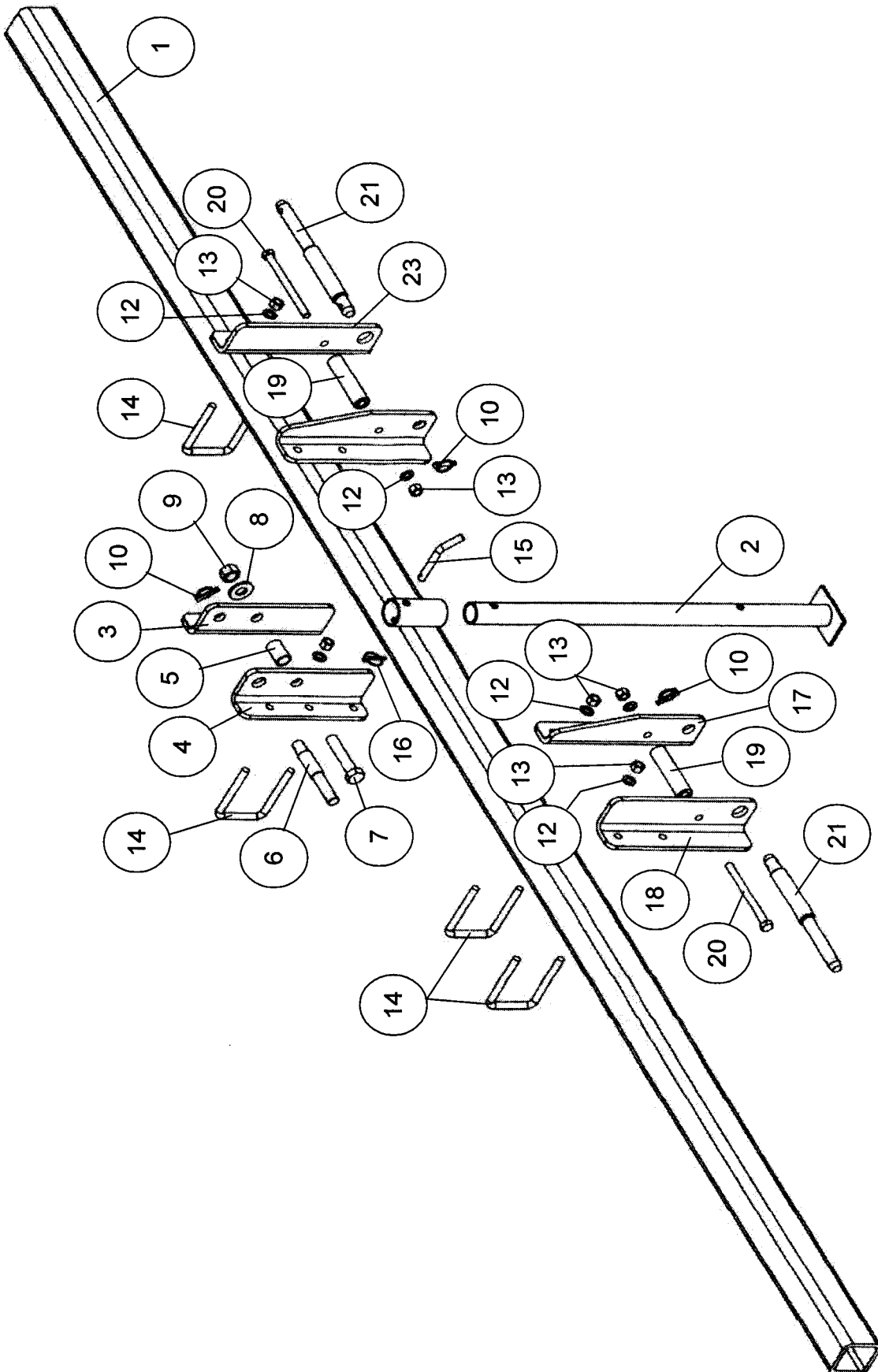
ITEM NO.	PART NUMBER	DESCRIPTION	QTY.
1	IC00151	4.5m Cultivator bar weld assy	1
2	JD59038	Parking jack weld assy	1
3	IC00026	Mid hitch plate - LH	1
4	IC00028	Mid hitch plate - RH	1
5	IC00027	Top carry bush	1
6	IC00167	Top link pin	1
7	M24X100G	Galv. Bolt	1
8	M24GFW	Galv. Flat washer	1
9	M24NY	Nyloc nut	1
10	S40LP	Lynch pin	3
11	M16X150G	Galv. Bolt	4
12	M16GFW	Galv. Flat washer	12
13	M16NY	Nyloc nut	12
14	BP10242	U - bolt (M16)	4
15	JD59041	Pin	1
16	S12RC	Ø6mm Lynch pin	1
17	IC00215	Cut hitch plate - RH	1
18	IC00216	Hitch plate - RH	1
19	IC00023	Bottom carry bush	2
20	M16X200G	Galv. Bolt	2
21	IC00166	Bottom link pin	2
22	IC00214	Cut hitch plate - LH	1
23	IC00213	Hitch plate - LH	1

(No Depth control wheels)



# INTERROW CULTIVATOR

## 3 ROW 1,5M FRAME



# INTERROW CULTIVATOR

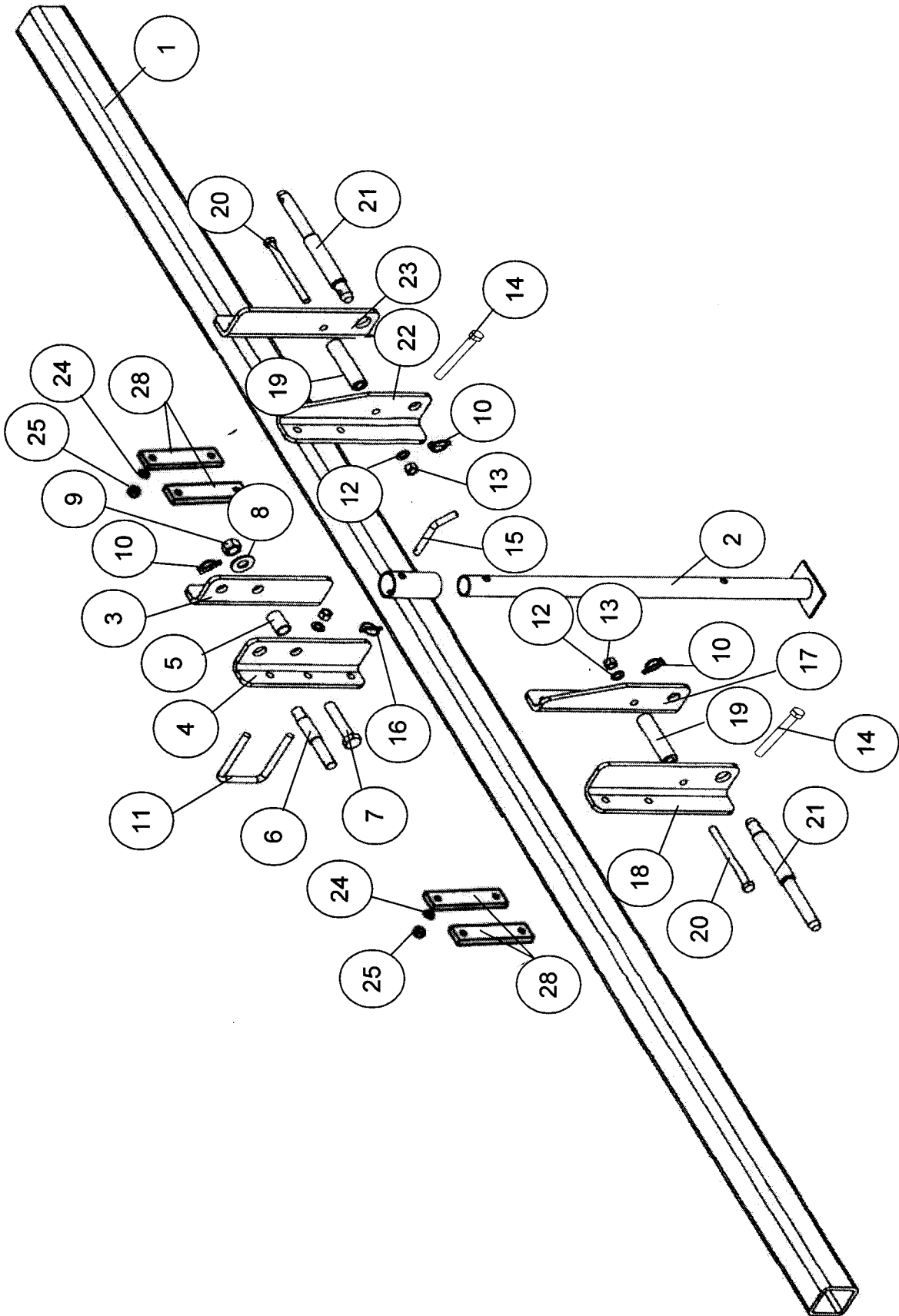
## 3 ROW 1,5M FRAME

ITEM NO.	PART NUMBER	DESCRIPTION	QTY.
1	IC00151	4.5m Cultivator bar weld assy	1
2	JD59038	Parking jack weld assy	1
3	IC00026	Mid hitch plate - LH	1
4	IC00028	Mid hitch plate - RH	1
5	IC00027	Top carry bush	1
6	IC00167	Top link pin	1
7	M24X100G	Galv. Bolt	1
8	M24GFW	Galv. Flat washer	1
9	M24NY	Nyloc nut	1
10	S40LP	Lynch pin	3
12	M16GFW	Galv. Flat washer	12
13	M16NY	Nyloc nut	12
14	BP10242	U - bolt	6
15	JD59041	Pin	1
16	S12RC	Ø6mm Lynch pin	1
17	IC00215	Cut hitch plate - RH	1
18	IC00216	Hitch plate - RH	1
19	IC00023	Bottom carry bush	2
20	M16X200G	Galv. Bolt	2
21	IC00166	Bottom link pin	2
22	IC00214	Cut hitch plate - LH	1
23	IC00213	Hitch plate - LH	1

(No Depth control wheels)

# INTERROW CULTIVATOR

## 3 ROW 2.3M FRAME



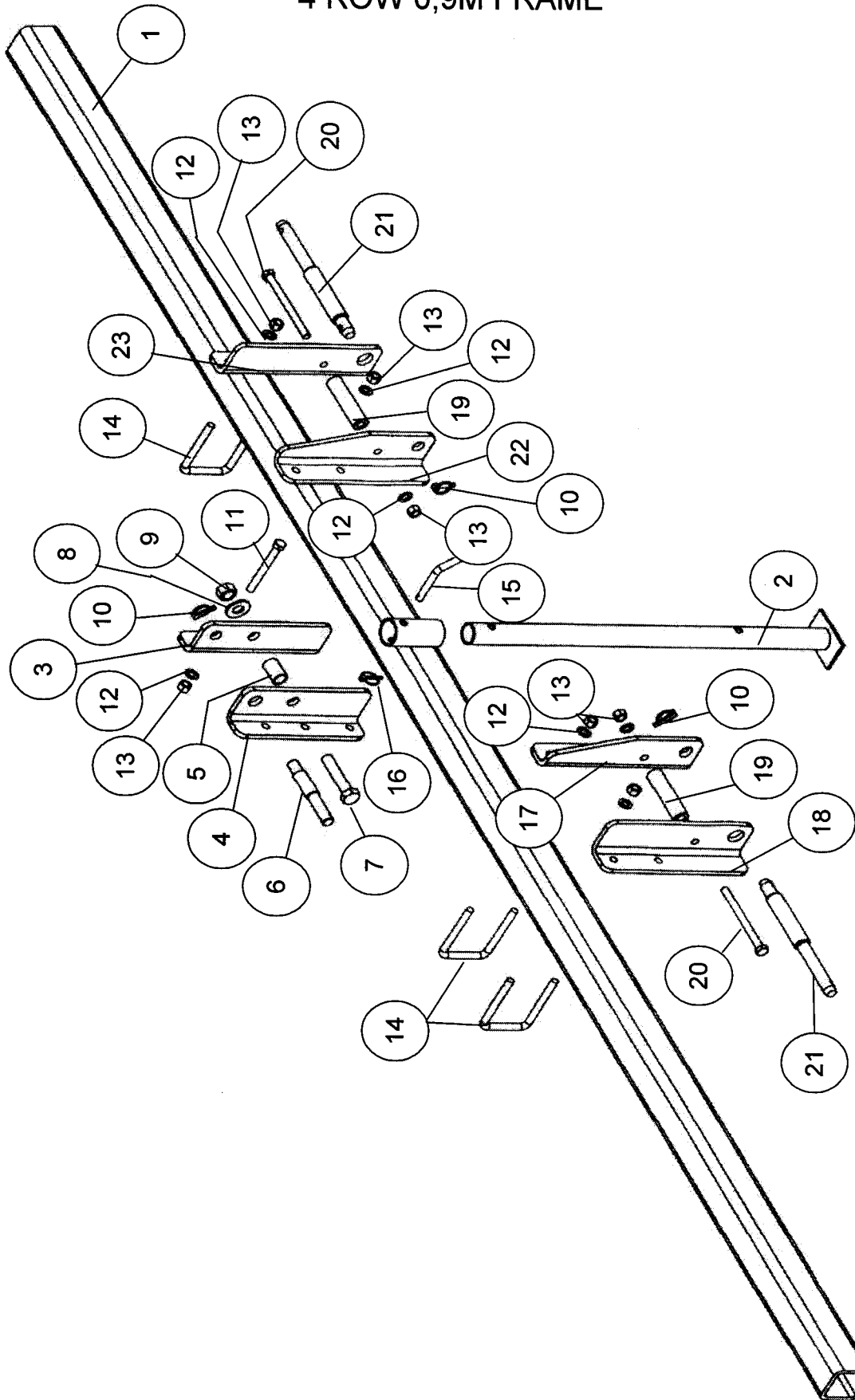
# INTERROW CULTIVATOR

## 3 ROW 2.3M FRAME

ITEM NO.	PART NUMBER	DESCRIPTION	QTY.
1	IC00197	6.7m Cultivator bar weld assy	1
2	JD59038	Parking jack weld assy	1
3	IC00026	Mid hitch plate - LH	1
4	IC00028	Mid hitch plate - RH	1
5	IC00027	Top carry bush	1
6	IC00167	Top link pin	1
7	M24X100G	Galv. Bolt	1
8	M24GFW	Galv. Flat washer	1
9	M24NY	Nyloc nut	1
10	S40LP	Lynch pin	3
11	IC00147	U - bolt (M16)	2
12	M16GFW	Galv. Flat washer	6
13	M16NY	Nyloc nut	6
14	M20X220G	Galv. Bolt	8
15	JD59041	Pin	1
16	S12RC	Ø6mm Lynch pin	1
17	IC00208	Cut hitch plate - RH	1
18	IC00211	Hitch plate - RH	1
19	IC00023	Bottom carry bush	2
20	M16X200G	Galv. Bolt	2
21	IC00166	Bottom link pin	2
22	IC00207	Cut hitch plate - LH	1
23	IC00206	Hitch plate - LH	1
24	M20GFW	Galv. Flat washer	8
25	M20NY	Nyloc nut	8
26	IC00266	600 x 14 Wheel set complete - RH	1
27	IC00265	600 x 14 Wheel set complete - LH	1
28	IC00267	Clamping flat	4

# INTERROW CULTIVATOR

## 4 ROW 0,9M FRAME



# INTERROW CULTIVATOR

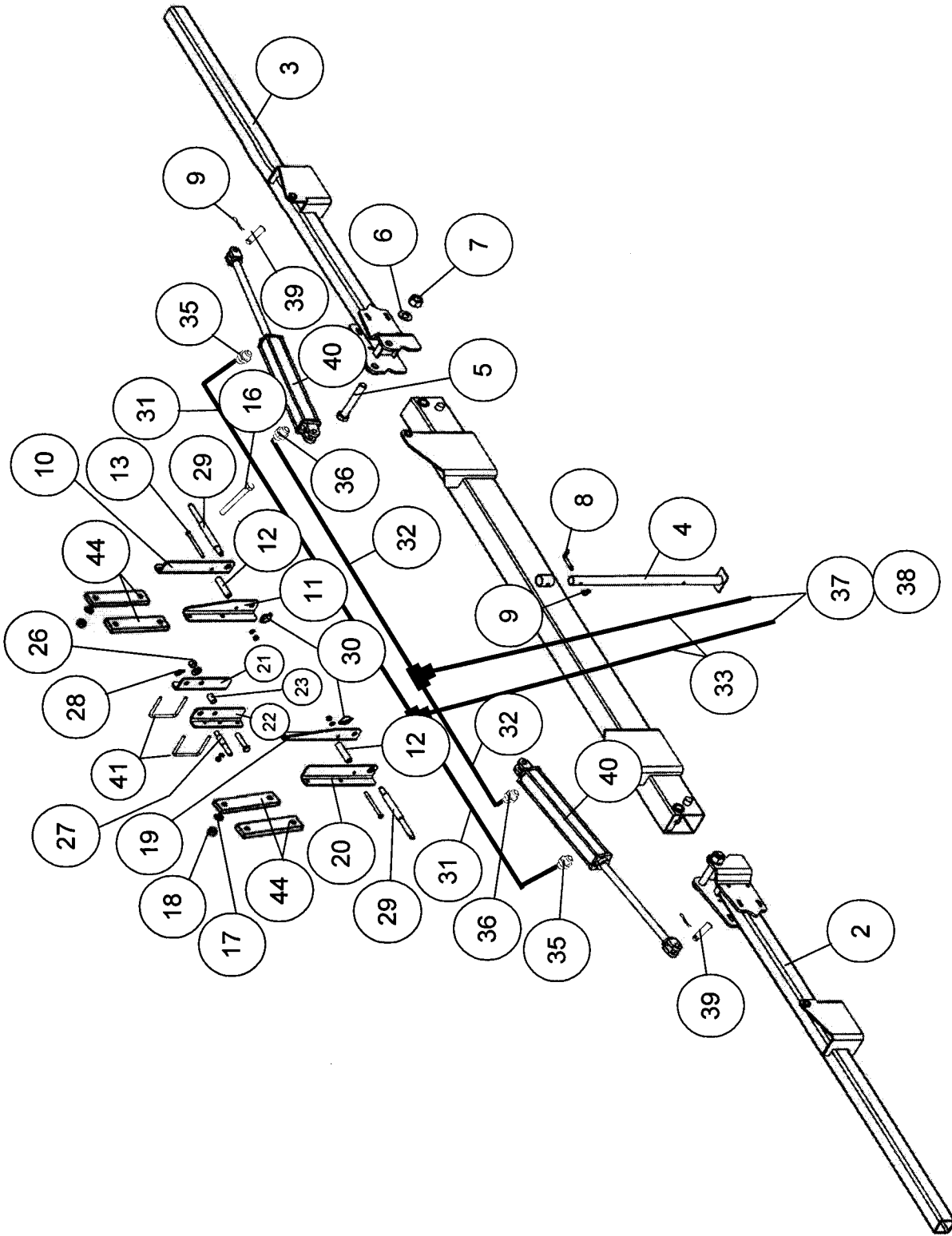
## 4 ROW 0,9M FRAME

ITEM NO.	PART NUMBER	DESCRIPTION	QTY.
1	IC00151	4.5m Cultivator bar weld assy	1
2	JD59038	Parking jack weld assy	1
3	IC00026	Mid hitch plate - LH	1
4	IC00028	Mid hitch plate - RH	1
5	IC00027	Top carry bush	1
6	IC00167	Top link pin	1
7	M24X100G	Galv. Bolt	1
8	M24GFW	Galv. Flat washer	1
9	M24NY	Nyloc nut	1
10	S40LP	Lynch pin	3
11	M16X150G	Galv. Bolt	4
12	M16GFW	Galv. Flat washer	12
13	M16NY	Nyloc nut	12
14	BP10242	U - bolt (M16)	4
15	JD59041	Pin	1
16	S12RC	Ø6mm Lynch pin	1
17	IC00215	Cut hitch plate - RH	1
18	IC00216	Hitch plate - RH	1
19	IC00023	Bottom carry bush	2
20	M16X200G	Galv. Bolt	2
21	IC00166	Bottom link pin	2
22	IC00214	Cut hitch plate - LH	1
23	IC00213	Hitch plate - LH	1

(No Depth control wheels)

# INTERROW CULTIVATOR

## 5 ROW 1.5M FRAME



# INTERROW CULTIVATOR

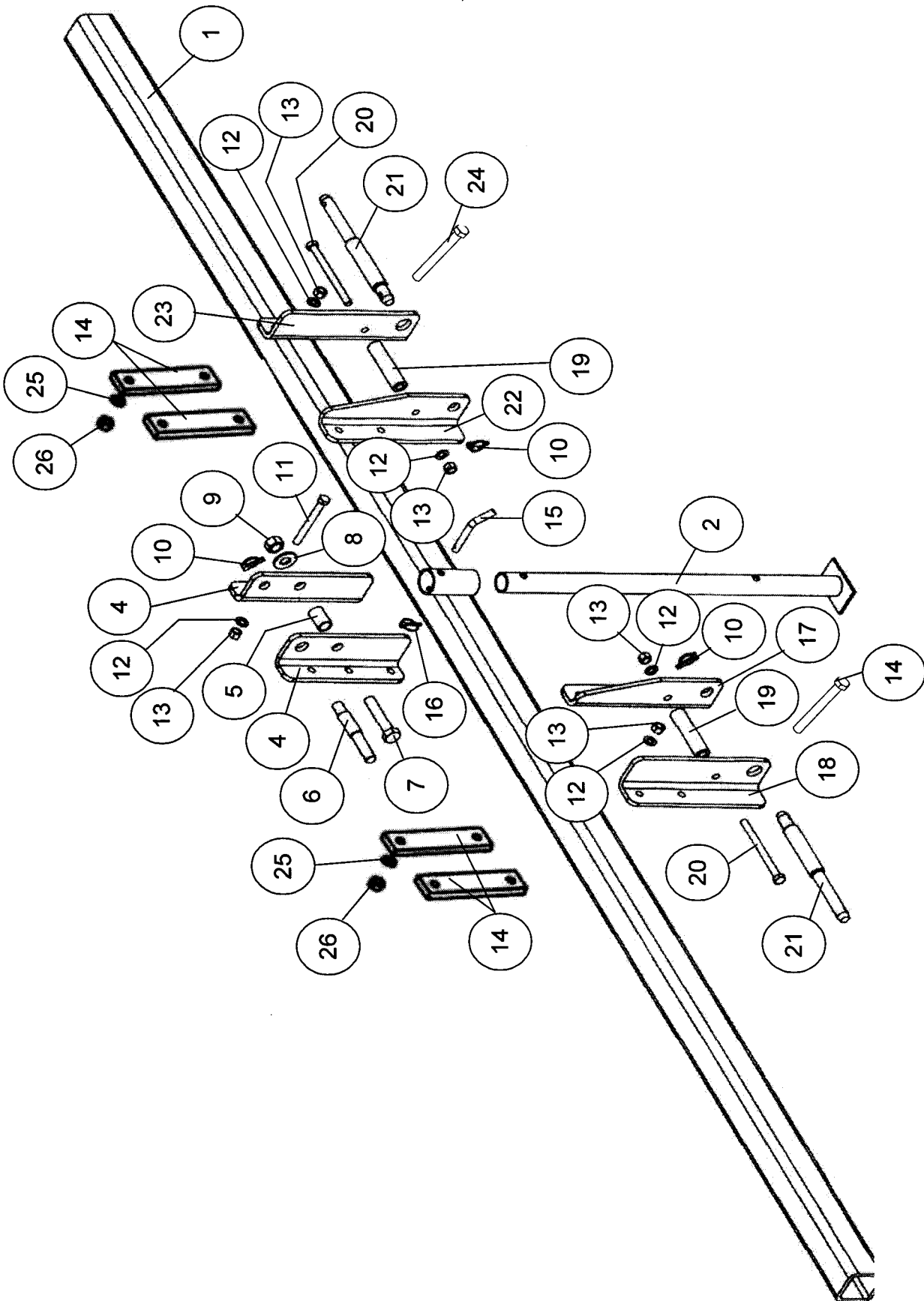
## 5 ROW 1.5M FRAME

ITEM NO.	PART NUMBER	DESCRIPTION	QTY.
1	IC00001	Middle section	1
2	IC00014	Wing assy - RH	1
3	IC00020	Wing assy - LH	1
4	JD59038	Parking jack	1
5	IC00203	Hinge bolt	2
6	M36GFW	Galv. Flat washer	2
7	M36NY	Nyloc nut	2
8	JD59041	Pin	1
9	S12RC	Lynch pin	1
10	IC00206	Hitch plate - LH	1
11	IC00207	Cut hitch plate - LH	1
12	IC00023	Bottom carry bush	2
13	M16X200G	Galv. Bolt	6
14	M16GFW	Galv. Flat washer	6
15	M16NY	Nyloc nut	6
16	M20X220G	Galv. bolt	8
17	M20GFW	Galv. Flat washer	8
18	M20NY	Nyloc nut	8
19	IC00208	Cut hitch plate - RH	1
20	IC00211	Hitch plate - RH	1
21	IC00026	Mid hitch plate - LH	1
22	IC00028	Mid hitch plate - RH	1
23	IC00027	Top carry bush	1
24	M24X100G	Galv. Bolt	1
25	M24GFW	Galv. Flat washer	1
26	M24NY	Nyloc nut	1
27	IC00167	Top link pin	1
28	S40LP	Lynch pin	1
29	IC00166	Bottom link pin	2
30	S60LP	Lynch pin	2
31	IC00270	Hydraulic pipe - 1.640m	2
32	IC00271	Hydraulic pipe - 2.16m	2
33	IC00272	Hydraulic pipe - 2.28m	2
34	IC00273	T - Piece (TF5705x6)	2
35	IC00274	8480808 - 1.5mm Orifice	2
36	IC00275	C5205X6X8 Fitting	2
37	8010-4	Male quick adaptor	2
38	52094M	Dust cap	2
39	ID1551-16275	Pin hyd. Cyl	2
40	JS21148	Hydraulic cylinder	1
41	IC00147	M16 - U-bolt	2
42	IC00250	600 x 14 Wheel set complete - LH	1
43	IC00262	600 x 14 Wheel set complete - RH	1
44	IC00267	Clamping flat	4



# INTERROW CULTIVATOR

## 6 ROW 0,9M FRAME



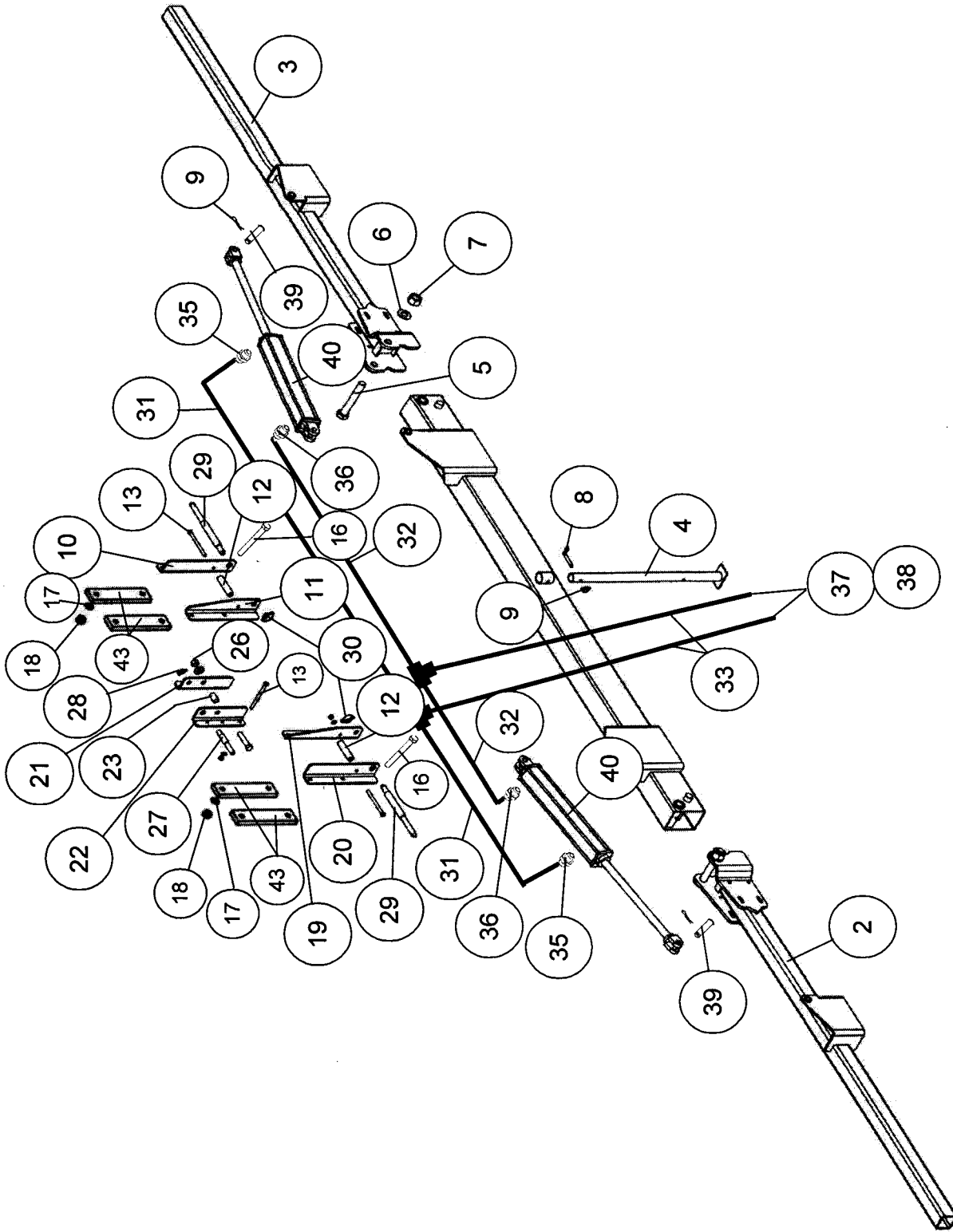
# INTERROW CULTIVATOR

## 6 ROW 0,9M FRAME

ITEM NO.	PART NUMBER	DESCRIPTION	QTY.
1	IC00170	6m Cultivator bar weld assy	1
2	JD59038	Parking jack weld assy	1
3	IC00026	Mid hitch plate - LH	1
4	IC00028	Mid hitch plate - RH	1
5	IC00027	Top carry bush	1
6	IC00167	Top link pin	1
7	M24X100G	Galv. Bolt	1
8	M24GFW	Galv. Flat washer	1
9	M24NY	Nyloc nut	1
10	S40LP	Lynch pin	3
11	M16X200G	Galv. Bolt	4
12	M16GFW	Galv. Flat washer	4
13	M16NY	Nyloc nut	4
14	IC00267	Clamping flat	4
15	JD59041	Pin	1
16	S12RC	Ø6mm Lynch pin	1
17	IC00208	Cut hitch plate - RH	1
18	IC00211	Hitch plate - RH	1
19	IC00023	Bottom carry bush	2
20	M16X200G	Galv. Bolt	2
21	IC00166	Bottom link pin	2
22	IC00206	Cut hitch plate - LH	1
23	IC00207	Hitch plate - LH	1
24	M20X220G	Galv. bolt	8
25	M20GFW	Galv. Flat washer	8
26	M20NY	Nyloc nut	8
27	IC00266	600 x 14 Wheel set complete - RH	1
28	IC00265	600 x 14 Wheel set complete - LH	1

# INTERROW CULTIVATOR

## 8 ROW 0,9M FRAME



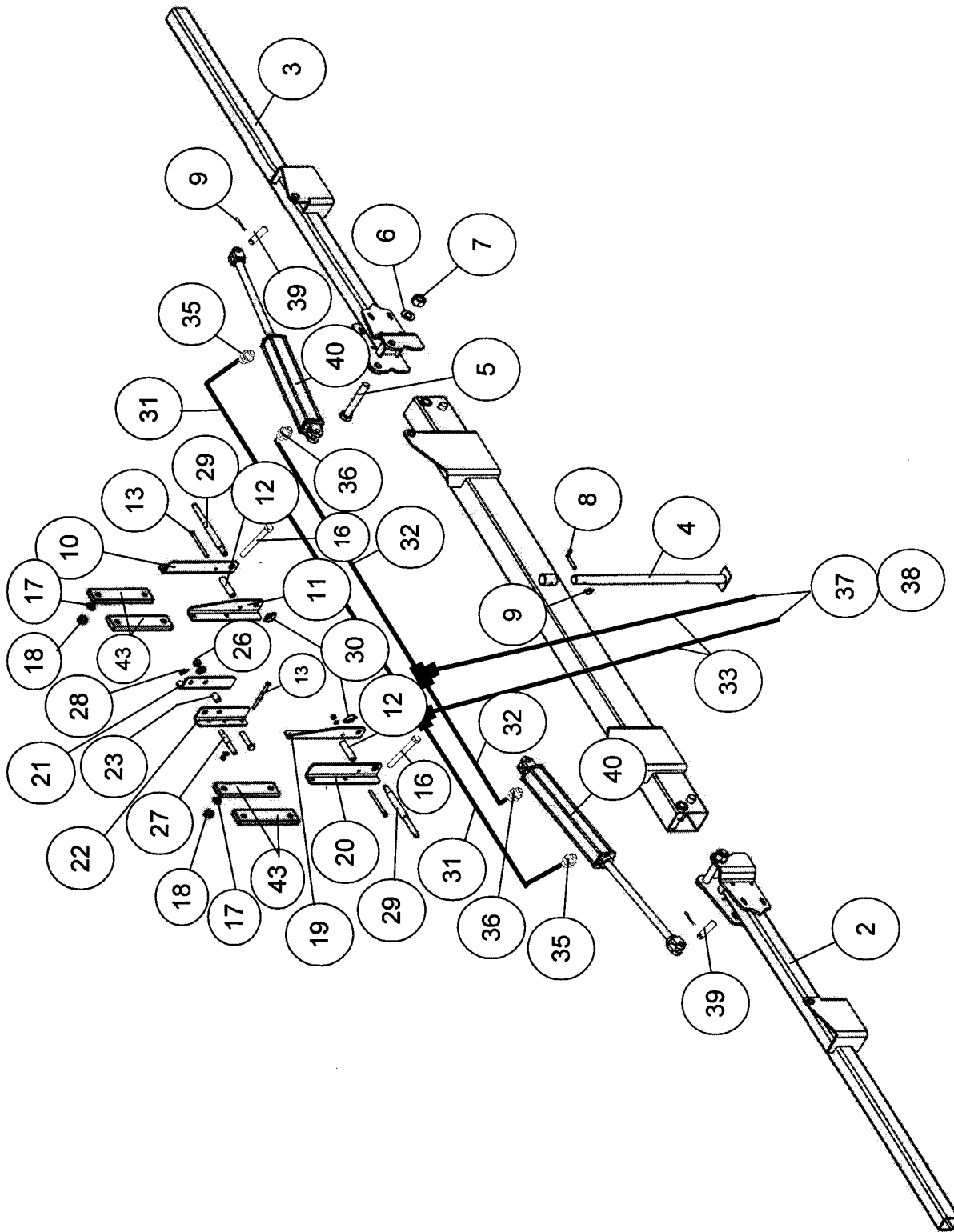
# INTERROW CULTIVATOR

## 8 ROW 0,9M FRAME

ITEM NO.	PART NUMBER	DESCRIPTION	QTY.
1	IC00001	Middle section	1
2	IC00014	Wing assy - RH	1
3	IC00020	Wing assy - LH	1
4	JD59038	Parking jack	1
5	IC00203	Galv. Bolt	2
6	M36GFW	Galv. Flat washer	2
7	M36NY	Nyloc nut	2
8	JD59041	Pin	1
9	S12RC	Lynch pin	1
10	IC00206	Hitch plate - LH	1
11	IC00207	Cut hitch plate - LH	1
12	IC00023	Bottom carry bush	2
13	M16X200G	Galv. Bolt	6
14	M16GFW	Galv. Flat washer	6
15	M16NY	Nyloc nut	6
16	M20X220G	Galv. Bolt	4
17	M20GFW	Galv. Flat washer	8
18	M20NY	Nyloc nut	8
19	IC00208	Cut hitch plate - RH	1
20	IC00211	Hitch plate - RH	1
21	IC00026	Mid hitch plate - LH	1
22	IC00028	Mid hitch plate - RH	1
23	IC00027	Top carry bush	1
24	M24X100G	Galv. Bolt	1
25	M24GFW	Galv. Flat washer	1
26	M24NY	Nyloc nut	1
27	IC00167	Top link pin	1
28	S40LP	Lynch pin	1
29	IC00166	Bottom link pin	2
30	S60LP	Lynch pin	2
31	IC00270	Hydraulic pipe - 1.640m	2
32	IC00271	Hydraulic pipe - 2.16m	2
33	IC00272	Hydraulic pipe - 2.28m	2
34	IC00273	T - Piece (TF5705x6)	2
35	IC00274	8480808 - 1.5mm Orifice	2
36	IC00275	C5205X6X8 Fitting	2
37	8010-4	Male quick adaptor	2
38	52094M	Dust cap	2
39	ID1551-16275	Pin hyd. Cyl	2
40	JS21148	Hydraulic cylinder	1
41	IC00250	600 x 14 Wheel set complete - LH	1
42	IC00262	600 x 14 Wheel set complete - RH	1
43	IC00267	Clamping flat	4

# INTERROW CULTIVATOR

## 10 ROW 0,762M FRAME



# INTERROW CULTIVATOR

## 10 ROW 0,762M FRAME

ITEM NO.	PART NUMBER	DESCRIPTION	QTY.
1	IC00001	Middle section	1
2	IC00014	Wing assy - RH	1
3	IC00020	Wing assy - LH	1
4	JD59038	Parking jack	1
5	IC00203	Galv. Bolt	2
6	M36GFW	Galv. Flat washer	2
7	M36NY	Nyloc nut	2
8	JD59041	Pin	1
9	S12RC	Lynch pin	1
10	IC00206	Hitch plate - LH	1
11	IC00207	Cut hitch plate - LH	1
12	IC00023	Bottom carry bush	2
13	M16X200G	Galv. Bolt	6
14	M16GFW	Galv. Flat washer	6
15	M16NY	Nyloc nut	6
16	M20X220G	Galv. Bolt	4
17	M20GFW	Galv. Flat washer	8
18	M20NY	Nyloc nut	8
19	IC00208	Cut hitch plate - RH	1
20	IC00211	Hitch plate - RH	1
21	IC00026	Mid hitch plate - LH	1
22	IC00028	Mid hitch plate - RH	1
23	IC00027	Top carry bush	1
24	M24X100G	Galv. Bolt	1
25	M24GFW	Galv. Flat washer	1
26	M24NY	Nyloc nut	1
27	IC00167	Top link pin	1
28	S40LP	Lynch pin	1
29	IC00166	Bottom link pin	2
30	S60LP	Lynch pin	2
31	IC00270	Hydraulic pipe - 1.640m	2
32	IC00271	Hydraulic pipe - 2.16m	2
33	IC00272	Hydraulic pipe - 2.28m	2
34	IC00273	T - Piece (TF5705x6)	2
35	IC00274	8480808 - 1.5mm Orifice	2
36	IC00275	C5205X6X8 Fitting	2
37	8010-4	Male quick adaptor	2
38	52094M	Dust cap	2
39	ID1551-16275	Pin hyd. Cyl	2
40	JS21148	Hydraulic cylinder	1
41	IC00250	600 x 14 Wheel set complete - LH	1
42	IC00262	600 x 14 Wheel set complete - RH	1
43	IC00267	Clamping flat	4

# INTERROW CULTIVATOR

## 12 ROW 0.76M FRAME

