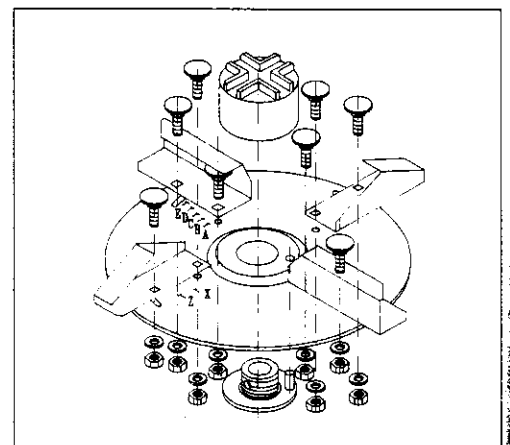
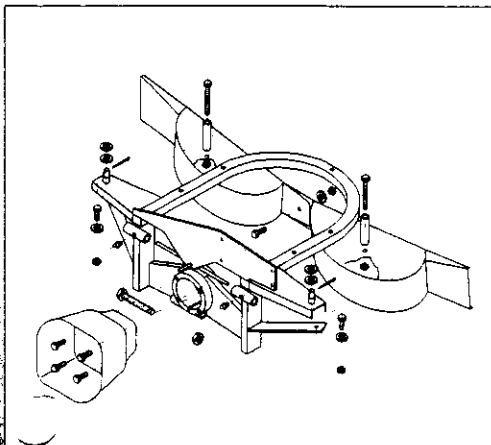
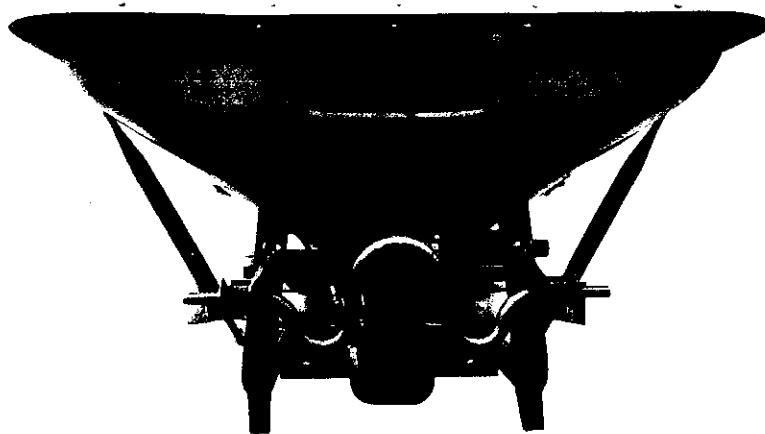


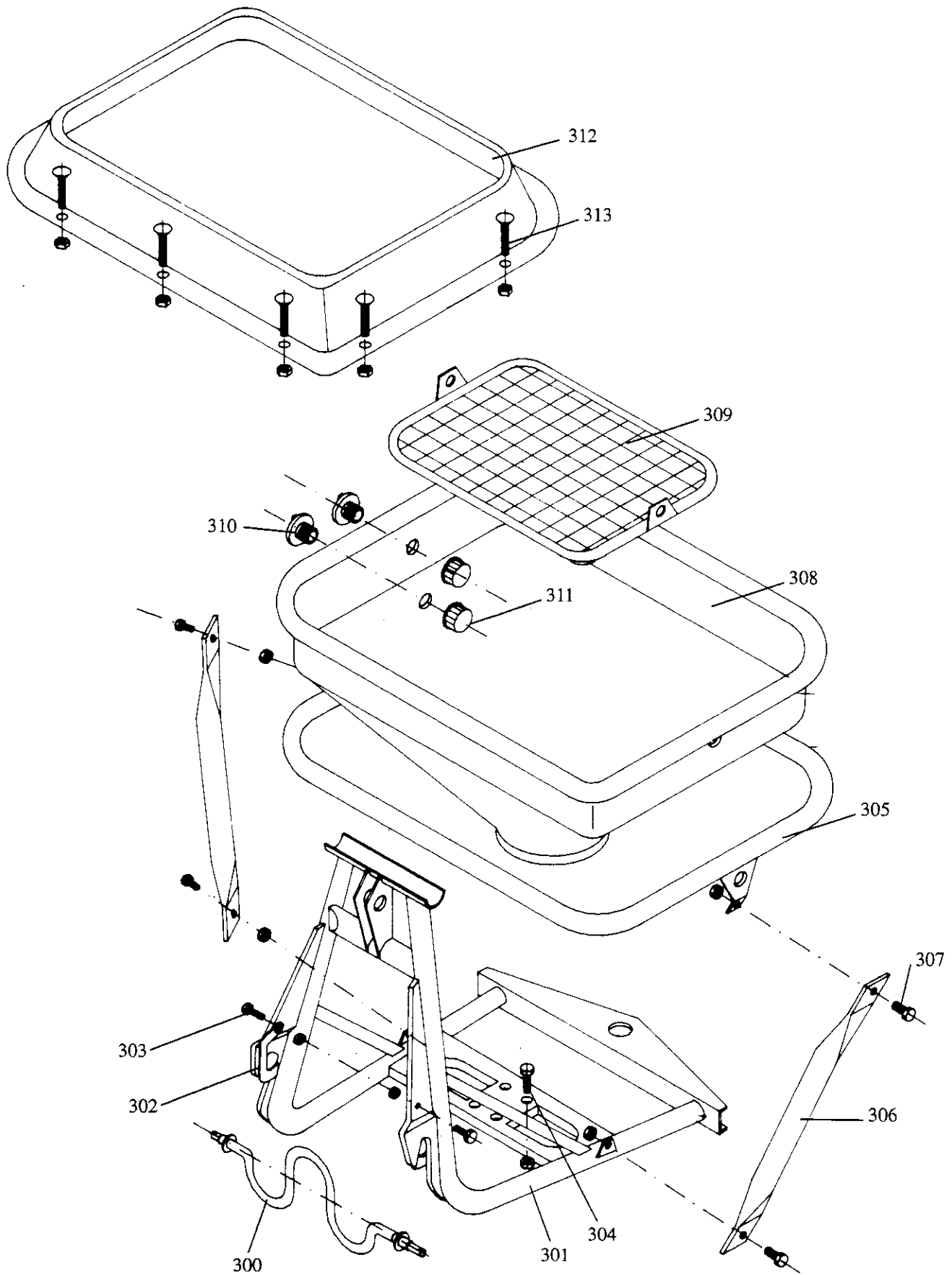
INSTRUCTION MANUAL AND

ILUSTRATION OF PARTS FROM

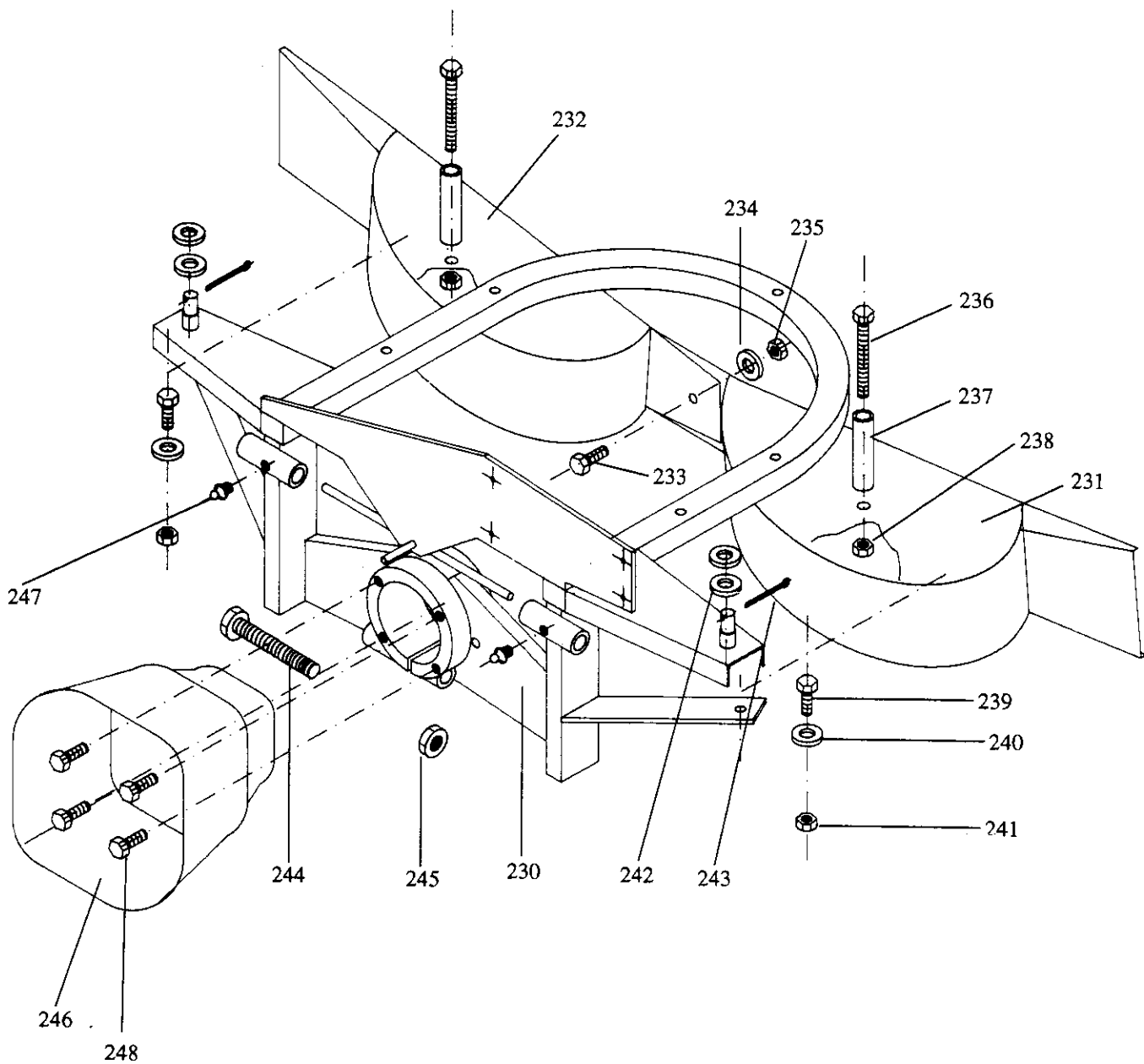
- TWIN DISC FERTILIZER SPREADERS -

 AGUIRRE

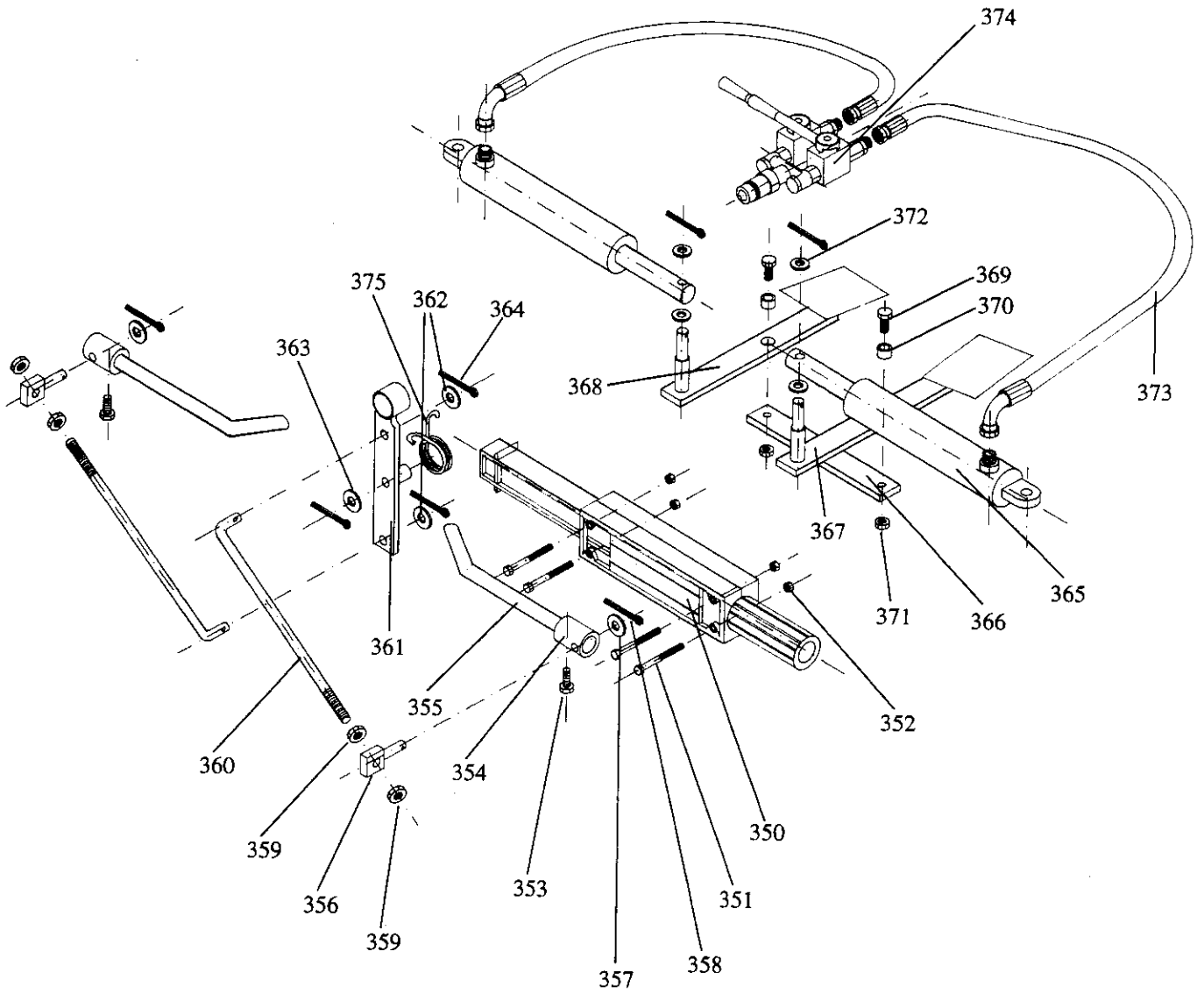




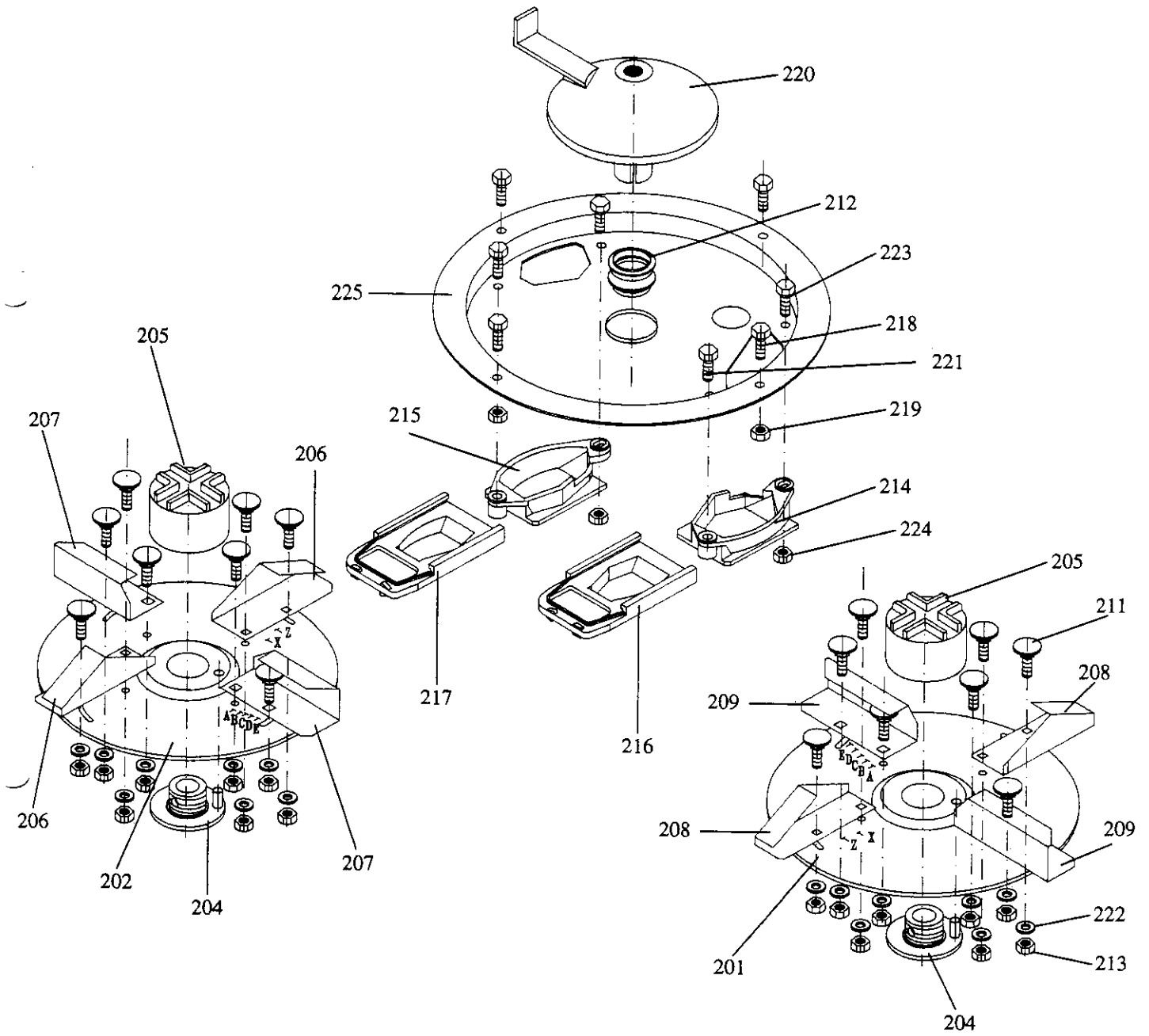
Reference	Denomination
300	Hook-up bar
301	Chassis
302	Fast hook-up latch
303	Screw 12x40 and fastening nut
304	Screw 12x40 and nut
305	Chassis frame
306	Chassis spindle
307	Screw 12x25 and nut
308	Hopper
309	Filter
310	Screw 1" ED 550
311	Nut 1"
312	Hopper supplement
313	Screw 8x20 and nut



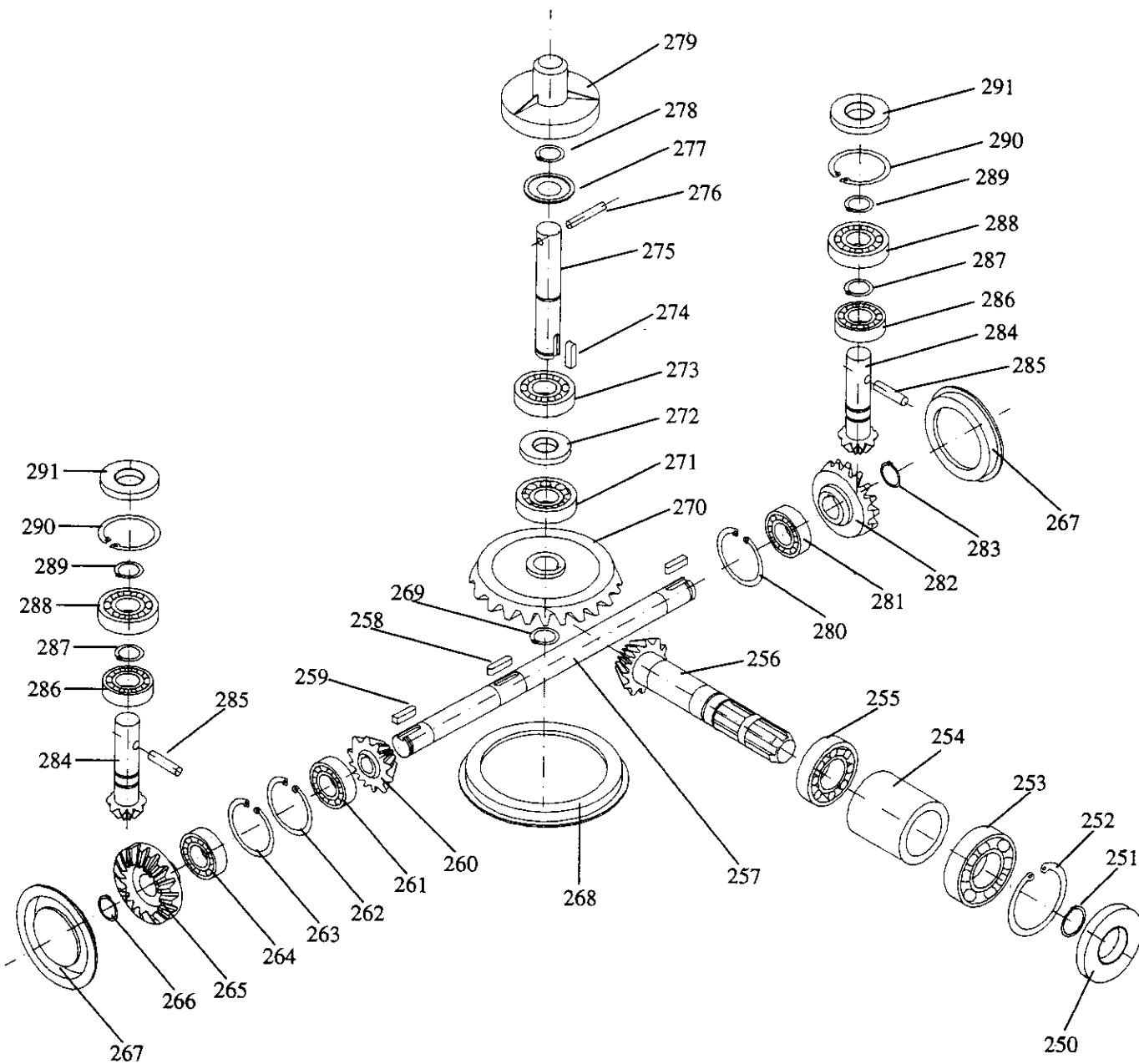
Reference	Denomination
230	Double-disc-group chassis
231	Left disc dust cover
232	Right disc dust cover
233	Stainless steel screw M8x20
234	Stainless steel Washer 10
235	Nut M-8
236	Screw 8x70
237	Bushing
238	Nut M-8
239	Stainless steel Screw 8x20
240	Stainless steel Washer 10
241	Nut M-8
242	Stainless steel washer 16
243	Stainless steel flap bolt
244	Screw 16x80
245	Nut M-16
246	Protector
247	Lubricator 3/8
248	Screw M. 6x10



Reference	Denomination
350	Limit stop. Index
351	Flat head screw 6x70
352	Nut M-6
353	Stainless steel 8x10 screw
354	Bushing
355	Stop rod
356	Stud
357	Stainless steel Washer 10
358	Stainless steel flap bolt
359	Stainless steel nut M-11
360	Threaded rod
361	Connecting rod
362	Stainless steel Washer 10
363	Stainless steel Washer 12
364	Stainless steel flap bolt
365	Hydraulic cylinder
366	Flatbar
367	Left sliding door
368	Right sliding door
369	Stainless steel screw 8x25
370	Bushing
371	Nut M-8
372	Stainless steel washer 12
373	Flexible hose
374	Keys
375	Soft



Reference	Denomination
201	Right distribution disc
202	left distribution disc
204	Disc fastening thread
205	Disc fastening nut
206	Left disc short blade
207	Left disc long blade
208	Right disc short blade
209	Right disc long blade
211	Stainless steel Screw 8x16
212	Stoper
213	Nut M.8
214	Right simple nozzle
215	Left simple nozzle
216	Right double nozzle
217	Left double nozzle
218	Stainless steel screw 8x40
219	Nut M8
220	Mixer
221	Stainless steel screw 8x20
222	Stainless steel washer 8
223	Stainless steel screw 8x30
224	Nut M8
225	Stainless steel central disc



Reference	Denomination
250	Axle stopper 35x72x10
251	Bracket clip Ø 35
252	Bracket clip Ø 72
253	Bearing 6207
254	Separator
255	Bearing 32007
256	Serrated shft
257	Inner shaft
258	Wedge
259	Wedge
260	Gearing
261	Bearing 6205
262	Bracket clip Ø 52
263	Bracket clip Ø 52
264	Bearing 6205
265	Gearing
266	Bracket clip Ø 25
267	Lateral cover
268	Lower cover
269	Bracket clip Ø 25
270	Drum gear
271	Bearing 30305
272	Stopper 25x52x7
273	Bearing 6305
274	Wedge
275	Central vertical shaft
276	Bolt
277	Stopper 25x62
278	Bracket clip
279	Dust cover
280	Bracket clip Ø 52
281	Bearing 6205
282	Gearing
283	Bracket clip Ø 25
284	Vertical axis of disc
285	Bolt
286	Bearing 6205
287	Bracket clip Ø 25
288	Bearig 6305
289	Bracket clip Ø 25
290	Bracket clip Ø 62
291	Stopper 25x62x10