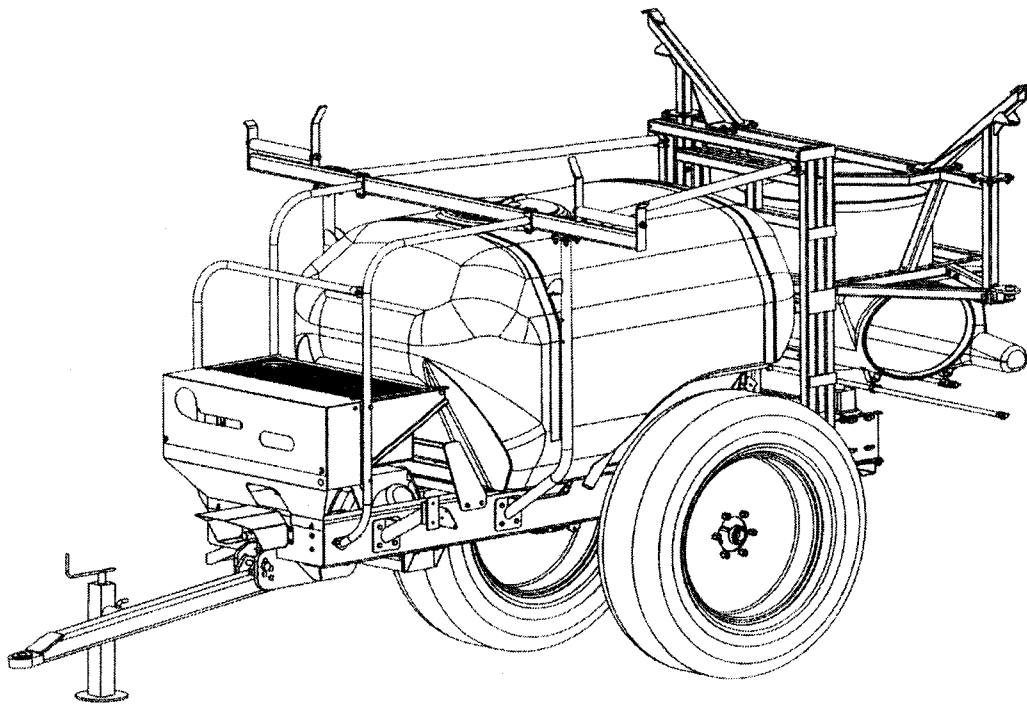




2000 Lit. Degania Trailed Sprayer



Parts Manual

Branches

Cape Town
Tel: (021) 907 1700
Fax: (021) 907 1760

Johannesburg
Tel: (011) 976 3070
Fax: (011) 976 1738

Pietermaritzburg
Tel: (033) 3346 2727
Fax: (033) 346 2746

www.rovicleers.co.za

Effective Date: November 06

INDEX

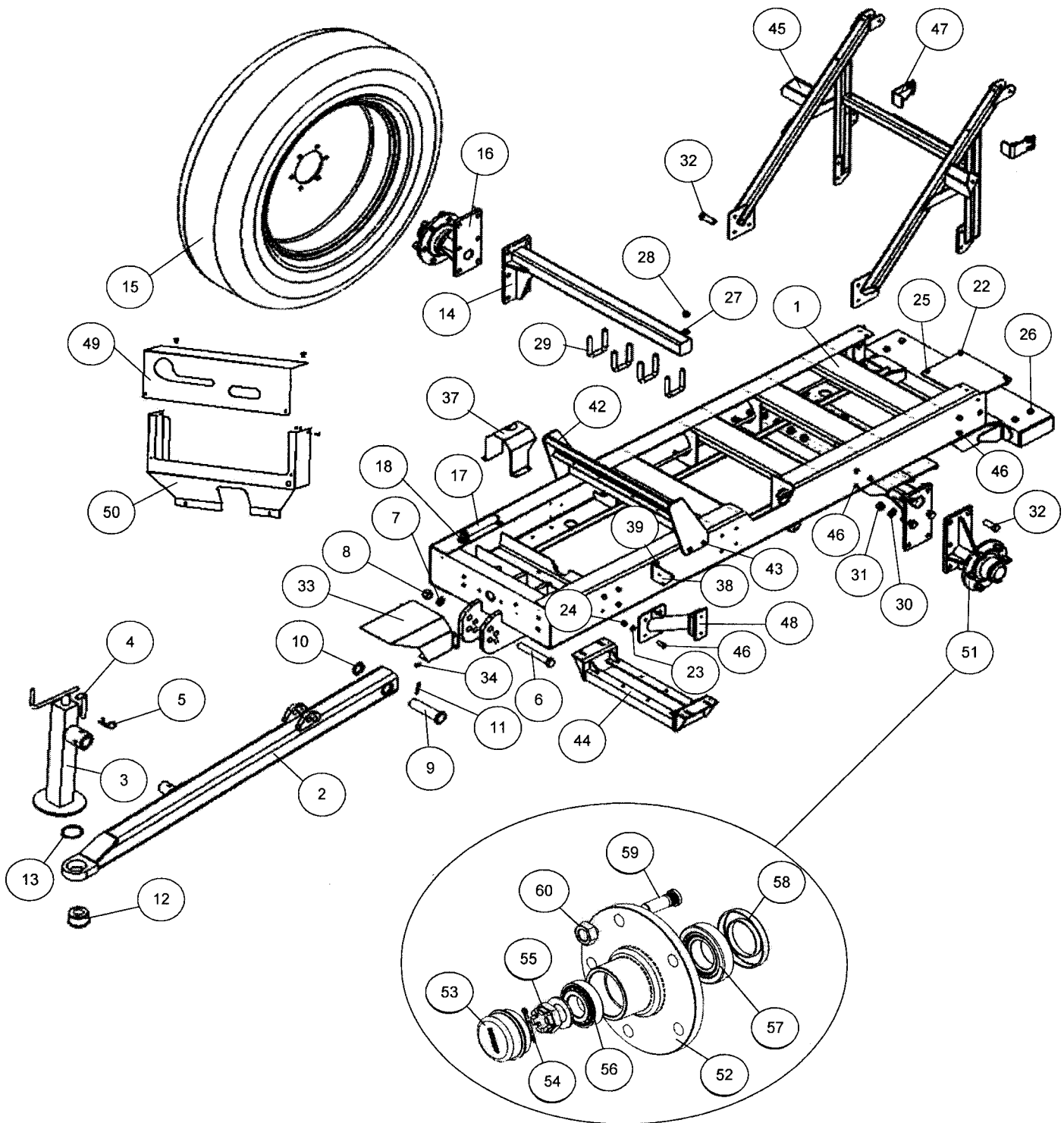
PAGES	DESCRIPTION
1 - 2	Undercarriage complete
3 - 4	Pump & Fan drive system
5 - 6	Pump
7 - 8	Gearbox
9 - 10	PTO's
11 - 12	Tanks & Clamps
13 - 14	Upper frames
15 - 16	Blower box complete
17 - 18	Cylinders
19 - 20	Hydraulic lay-out
21 - 22	Pressure supply system
23 - 24	Mixing system tank return
25 - 26	Tank filler system
27 - 28	System return
29 - 30	Suction system
31 - 32	Booms inner
33 - 34	Water system
35 - 36	Booms outer
37 - 38	Centre pipes
39	Stickers
40	Optional extras
41 - 42	Tandem wheels

WHEN ORDERING PARTS, PLEASE STATE:

- 1 Model, Serial Number & Size - No of tines (of the implement.)
- 2 Part number & description (of the spare part)
- 3 Number of parts required
- 4 Forwarding instructions
- 5 Correct name & Address of destination
- 6 Order number of approved Rovic & Leers dealer
- 7 Contact detail of recipient. (Consignee)

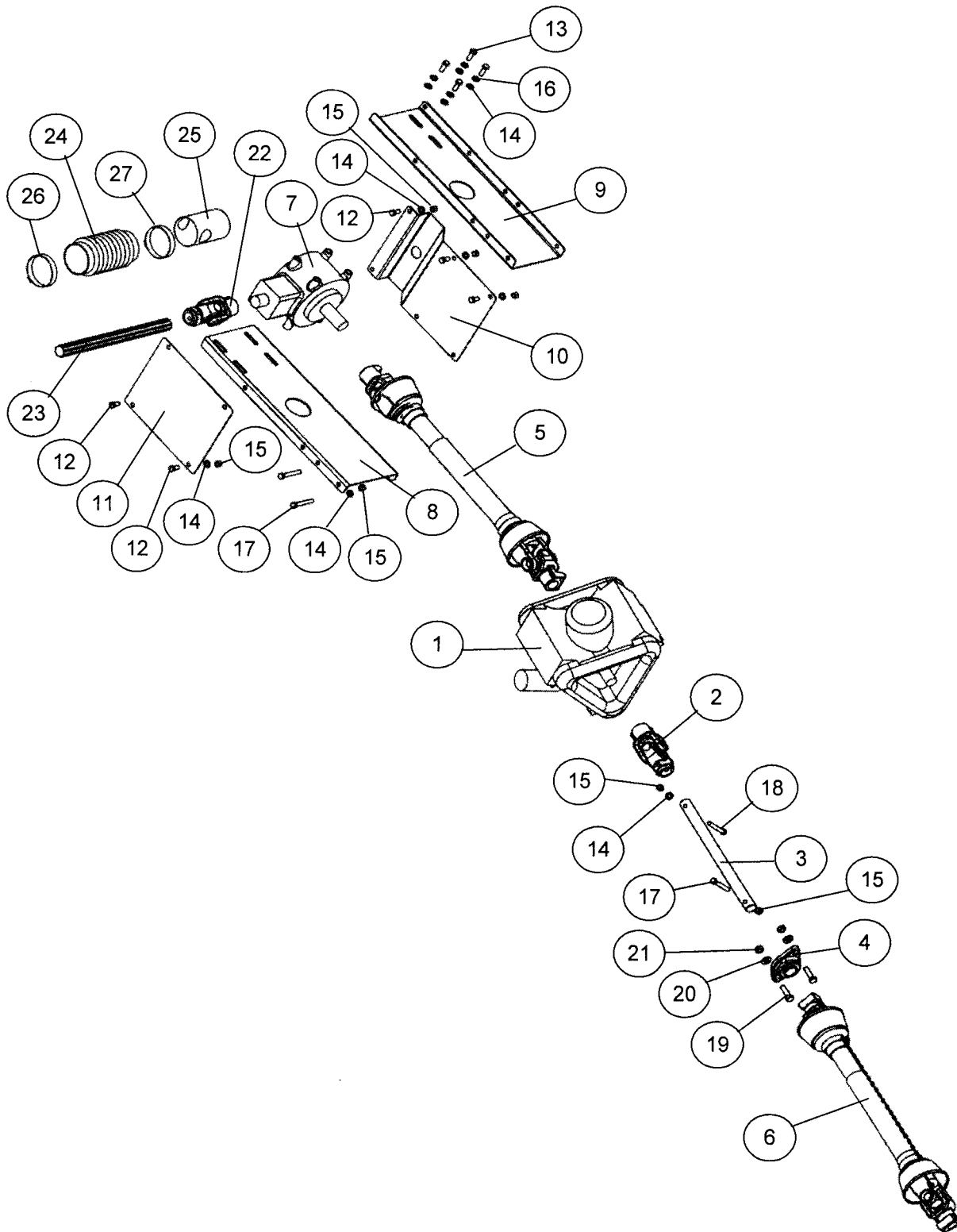
DEGANIA TRAILED SPRAYERS

UNDERCARRIAGE COMPLETE



DEGANIA TRAILED SPRAYERS

PUMP & FAN DRIVE SYSTEM



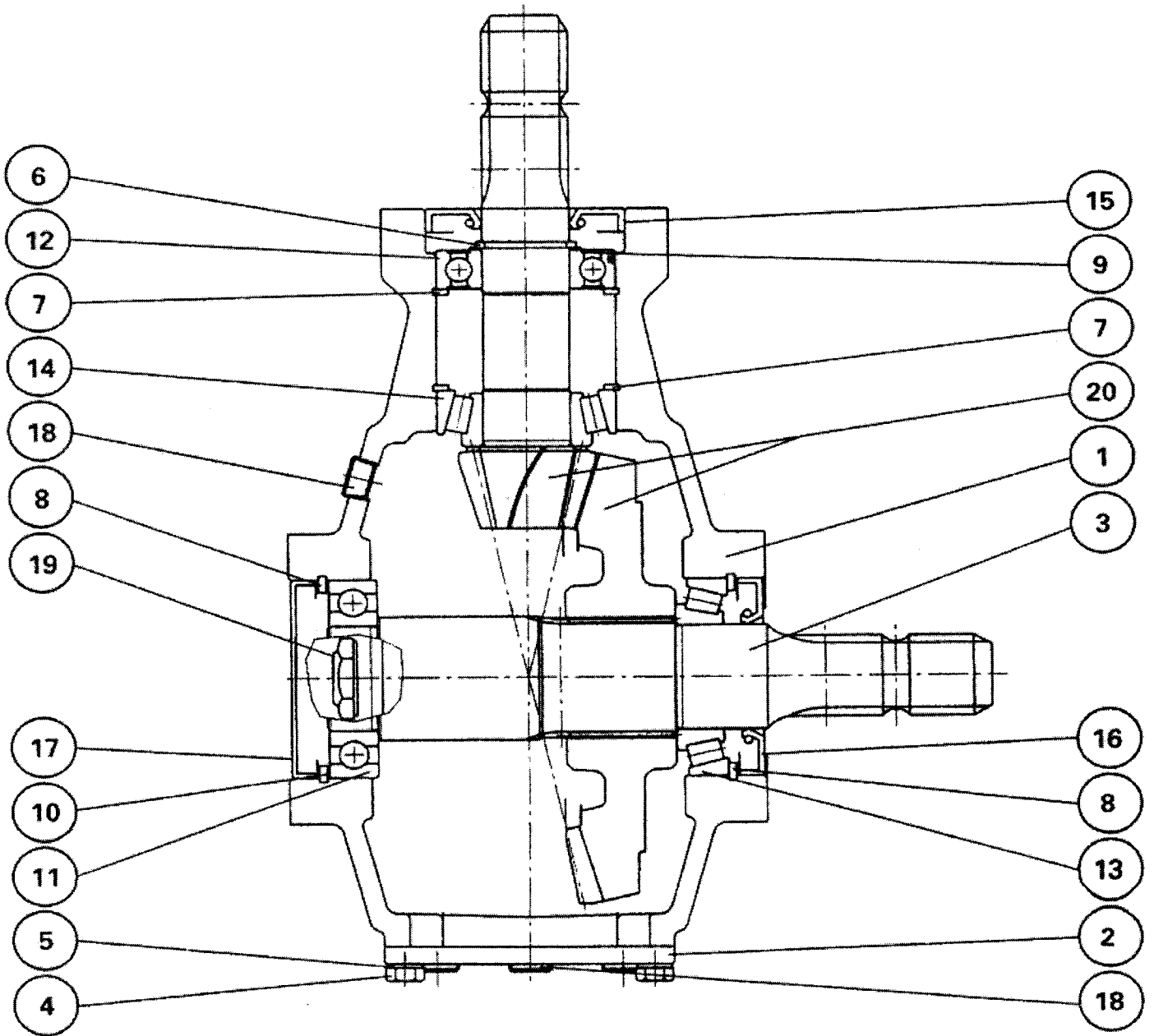
DEGANIA TRAILED SPRAYERS

PUMP & FAN DRIVE SYSTEM

ITEM NO.	PART NUMBER	DESCRIPTION	QTY
1	SPD163	Imovilli 163 pump	1
2	LS4236	Drive shaft universal	1
3	TS10073	Pump drive shaft	1
4	LS2218	UCFL 207 Ø35 Flange type brg	1
5	TS10773	PTO - pump to gearbox	1
6	LS309	PTO - Drive to tractor	1
7	DES2071450002	Gearbox	1
8	TS10734	Gearbox brkt - LH	1
9	TS10733	Gearbox brkt - RH	1
10	TS10360	Base plate	1
11	TS10732	Upper cover	1
12	M12X25GSS	Galv. Bolt	10
13	M12X35GSS	Galv. Set screw	8
14	M12GFW	Galv. Flat washer	24
15	M12NY	Nyloc nut	16
16	M12GSW	Galv. Spring washer	8
17	M12X80G	Galv. Bolt	6
18	M12X80GSS	Galv set screw	1
19	M14X50GSS	Galv set screw	2
20	M14GFW	Galv. Flat washer	2
21	M14NY	Nyloc nut	2
22	DEBO81G1014001C	Double yoke	1
23	DEBO266000354	Fan shaft	1
24	DE309M12EX08	PVC shaft protector	1
25	DE309M12EX05	Fan shaft protector	1
26	DE772150	Clamp 109 - 150	1
27	DE772140	Clamp 92 - 140	1

DEGANIA TRAILED SPRAYERS

GEARBOX



DEGANIA TRAILED SPRAYERS

GEARBOX

ITEM NO.	PART NUMBER	DESCRIPTION
1	DE290270307	Casing
2	DE29075A000	Cover
3	DE295034042	Shaft
4	DE319024200	M8 x 20 x 1.25C 8.8
5	DE335008002	Spring washer
6	DE337001035	Snap ring 35 x 2.5 DIN 471/2
7	DE338000072	Snap ring 72 x 2.5 DIN 472/1
8	DE338000085	Snap ring 85 x 3.00 DIN 472/1
9	DE340E03500	Spacer Ø35
10	DE340108500	Spacer Ø85
11	BE6209-2RS	Bearing 6209 - 45 x 85 x 19
12	BE6207-2RS	Bearing 6207 - 2RSI - 35 x 72 x 17
13	BE30209	Bearing 30209 - 45 x 85 x 20.75
14	BE32207A	Bearing 32207 - 35 x 72 x 24.25
15	DE355029035	Oil seal 35 x 80 x 10
16	DE355030045	Oil seal 45 x 85 x 10
17	DEBO37200600	Cover 85 x 10
18	DE373010000	Plug 3/8" B.S.P.
19	DE373024002	Level warning light M42 x 2
20	DE447450500	Bevel coupling R=4.5 per 2071